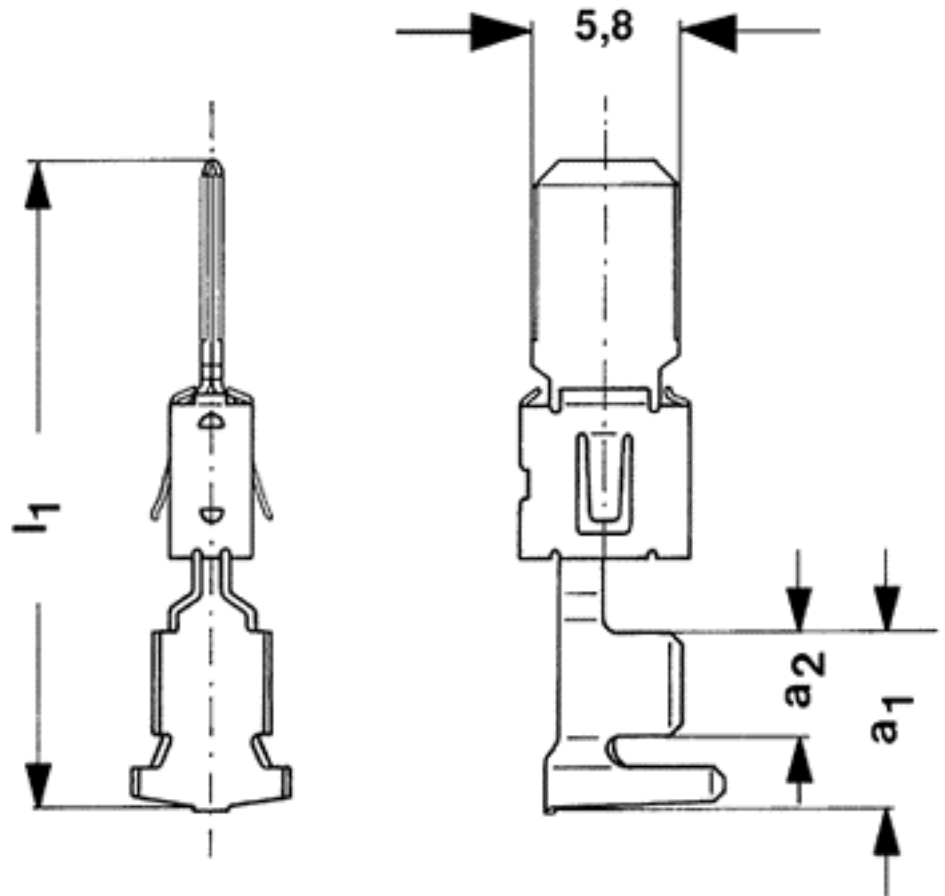




Characteristics and dimensions of terminals

Part number	26685.330.185
Specification	AFS
Material	CuFeP
Surface / Colour	frSn 1
Form	Chain form
Transport	Normal transverse transport
Assembly	X
Packing unit / piece	2200
Section area (mm ²)	0.50-1.00
Type of lead	FLR
Insulation diameter (mm)	1.4 - 2.0
Tab thickness (mm)	0.80
Tab width (mm)	5.80
Nominal size	4.8x0.8-1
Material thickness (mm)	0.38
Steel spring	X
a ₁	5.80
a ₂	3.00
l ₁	25.20



Note: The drawing only gives an overview of the geometry of the part. The crimp area is shown as supplied in strip form. A technical drawing is available on request.

[Contents of your inquiry](#)

Packing Units (per 2200 pieces)

CW