

2213188-1 ✓ ACTIVE

LUMAWISE | Inverted Thru-Board

TE Internal #: 2213188-1

Poke-In Connectors, Board-to-Board, 2 Position, .129 in [3.3 mm]

Centerline, Printed Circuit Board, Height .364 in [9.25 mm], Inverted Thru-Board

[View on TE.com >](#)



Connectors > Lighting Connectors > Poke-In Connectors



Connector System: **Board-to-Board**

Number of Positions: **2**

Centerline (Pitch): **3.3 mm [ .129 in ]**

Sealable: **No**

Connector & Contact Terminates To: **Printed Circuit Board**

## Features

### Product Type Features

Lighting Interconnect Level	Level 2
Connector Type	Header
Product Type	Connector
Glow Wire Rating	Standard Part - Not Glow Wire
Product Line	ITB Card Edge Connector
Connector System	Board-to-Board
Sealable	No
Connector & Contact Terminates To	Printed Circuit Board

### Configuration Features

Pre-Designed Cables Available	No
Number of Rows	1
Number of Positions	2

### Electrical Characteristics

Operating Voltage	400 VAC
-------------------	---------

### Body Features

Header Mating Direction	Inverted
-------------------------	----------

### Contact Features

Contact Termination Area Plating Finish	Matte
---	-------



Contact Mating Area Plating Material	Tin
Stamped and Formed	Yes
Contact Mating Area Plating Thickness	2 $\mu\text{m}$ [78.74 $\mu\text{in}$ ]
Contact Layout	Inline
Contact Termination Area Plating Thickness	2 $\mu\text{m}$ [78.74 $\mu\text{in}$ ]
Contact Termination Area Plating Material	Tin-Lead over Nickel
Contact Mating Area Plating Material Finish	Matte
Contact Current Rating (Max)	3 A

### Termination Features

Termination Method to Printed Circuit Board	Surface Mount
---	---------------

### Mechanical Attachment

Mating Alignment	With
Mating Retention	Without
PCB Mount Alignment	Without
PCB Mount Retention	With
PCB Mount Retention Type	Boardlock
Connector Mounting Type	Board Mount

### Housing Features

Housing Color	Natural
Centerline (Pitch)	3.3 mm[.129 in]

### Dimensions

Width	10.7 mm[.421 in]
Length	7.5 mm[.295 in]
Connector Height	9.25 mm[.364 in]

### Usage Conditions

UV Exposure Rated	No
SMT Soldering Temperature	220 $^{\circ}\text{C}$ [428 $^{\circ}\text{F}$ ]
Operating Temperature Range	-40 – 130 $^{\circ}\text{C}$ [-40 – 266 $^{\circ}\text{F}$ ]

### Operation/Application

SMT Compatible	Yes
Circuit Application	Power

### Identification Marking



Circuit Identification Feature	Without
--------------------------------	---------

### Industry Standards

Agency/Standard Number	C22.2 No. 182.3-M1987, UL 1977
UL File Number	E28476
Agency/Standard	CSA, UL
UL Flammability Rating	UL 94V-0

### Packaging Features

Packaging Method	SMT Pocket Tape
------------------	-----------------

### Product Compliance

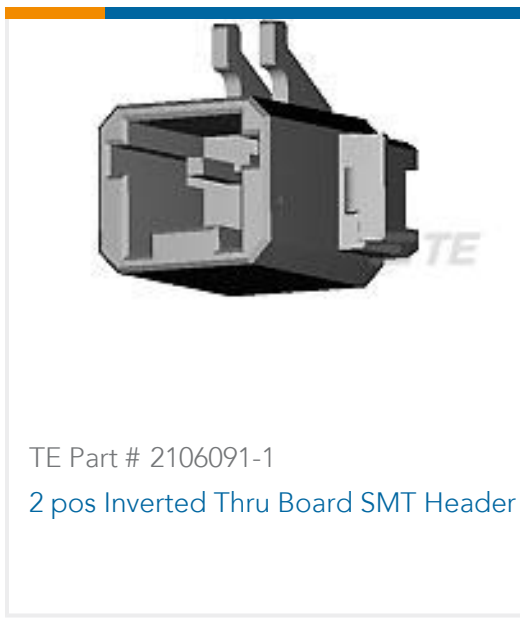
[For compliance documentation, visit the product page on TE.com>](#)

EU RoHS Directive 2011/65/EU	Compliant
EU ELV Directive 2000/53/EC	Compliant
China RoHS 2 Directive MIIT Order No 32, 2016	No Restricted Materials Above Threshold
EU REACH Regulation (EC) No. 1907/2006	Current ECHA Candidate List: JUNE 2022 (224) Candidate List Declared Against: JAN 2021 (211) SVHC > Threshold: Not Yet Reviewed
Halogen Content	Low Halogen - Br, Cl, F, I < 900 ppm per homogenous material. Also BFR/CFR/PVC Free
Solder Process Capability	Reflow solder capable to 260°C

#### Product Compliance Disclaimer

This information is provided based on reasonable inquiry of our suppliers and represents our current actual knowledge based on the information they provided. This information is subject to change. The part numbers that TE has identified as EU RoHS compliant have a maximum concentration of 0.1% by weight in homogenous materials for lead, hexavalent chromium, mercury, PBB, PBDE, DBP, BBP, DEHP, DIBP, and 0.01% for cadmium, or qualify for an exemption to these limits as defined in the Annexes of Directive 2011/65/EU (RoHS2). Finished electrical and electronic equipment products will be CE marked as required by Directive 2011/65/EU. Components may not be CE marked. Additionally, the part numbers that TE has identified as EU ELV compliant have a maximum concentration of 0.1% by weight in homogenous materials for lead, hexavalent chromium, and mercury, and 0.01% for cadmium, or qualify for an exemption to these limits as defined in the Annexes of Directive 2000/53/EC (ELV). Regarding the REACH Regulation, the information TE provides on SVHC in articles for this part number is based on the latest European Chemicals Agency (ECHA) 'Guidance on requirements for substances in articles' posted at this URL: <https://echa.europa.eu/guidance-documents/guidance-on-reach>

### Compatible Parts



## Also in the Series | Inverted Thru-Board



## Customers Also Bought





## Documents

### Product Drawings

[Assembly, ICE Connector 1.0 PCB w/o cap](#)

English

---

### CAD Files

[3D PDF](#)

3D

Customer View Model

[ENG\\_CVM\\_CVM\\_2213188-1\\_A.2d\\_dxf.zip](#)

English

Customer View Model

[ENG\\_CVM\\_CVM\\_2213188-1\\_A.3d\\_igs.zip](#)

English

Customer View Model

[ENG\\_CVM\\_CVM\\_2213188-1\\_A.3d\\_stp.zip](#)

English

By downloading the CAD file I accept and agree to the [Terms and Conditions](#) of use.

---

### Datasheets & Catalog Pages

[Inverted Thru Board Interconnects](#)

[Inverted Thru Board Interconnects](#)

English

[Inverted Card Edge & Poke In Connector Brochure](#)

English

---

### Product Specifications

[Application Specification](#)

English

---

### Agency Approvals

[Inverted Thru Board Connectors to IEC 60998](#)

English