



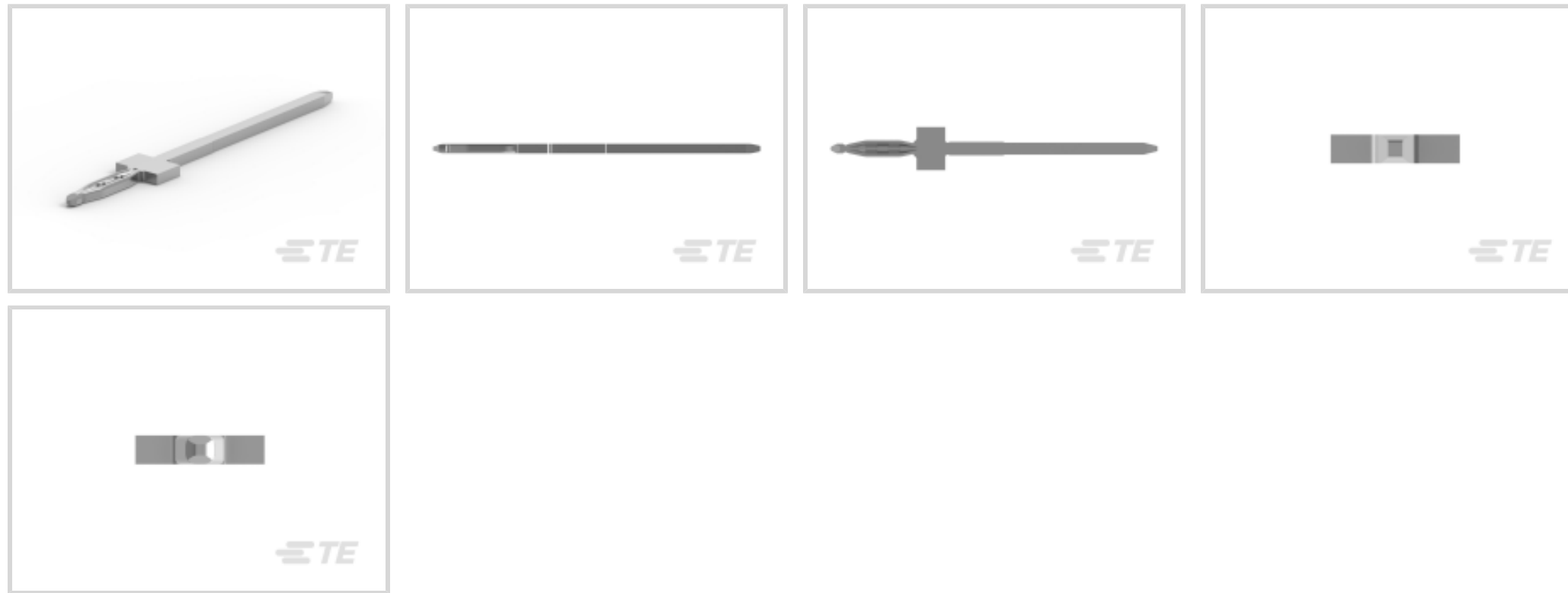
Press Fit Pin

TE Internal #: 2282347-1

Automotive Terminals, Tab, Mating Tab Width .5 mm [.02 in], Tab Thickness .016 in [.4 mm], Tin (Sn) Interface Plating, Press Fit Pin

[View on TE.com >](#)

Terminals & Splices > Automotive Terminals > PRESS FIT PIN TERMINALS



Terminal Type: **Tab**

Mating Tab Width: **.5 mm [.02 in]**

Mating Tab Thickness: **.4 mm [.016 in]**

Sealable: **No**

Interface Plating: **Tin (Sn)**

[All PRESS FIT PIN TERMINALS \(82\)](#)

**Features**

**Product Type Features**

Receptacle Style	180°
Sealable	No

**Contact Features**

Contact Size	.5mm
Contact Fabrication	Stamped & Formed
Terminal Type	Tab
Mating Tab Width	.5 mm[.02 in]
Mating Tab Thickness	.4 mm[.016 in]
Interface Plating	Tin (Sn)
Contact Termination Area Plating Material	Tin (Sn)

**Termination Features**

Termination Method to Printed Circuit Board	Through Hole - Press-Fit
Product Terminates To	Printed Circuit Board



### Dimensions

Tab Length	13.7 mm [.539 in]
PCB Hole Diameter	.6 mm [.024 in]

### Usage Conditions

Insulation Option	Uninsulated
Operating Temperature (Max)	80 °C, 85 °C, 90 °C, 100 °C, 105 °C, 110 °C, 120 °C, 125 °C [176 °F][185 °F][194 °F][212 °F][221 °F][230 °F][248 °F][257 °F]
Operating Temperature Range	-40 – 125 °C [-40 – 257 °F]

### Industry Standards

Agency/Standard	DIN EN 60352-2
-----------------	----------------

### Packaging Features

Packaging Method	Reel
Packaging Quantity	200000

### Product Compliance

[For compliance documentation, visit the product page on TE.com>](#)

EU RoHS Directive 2011/65/EU	Compliant
EU ELV Directive 2000/53/EC	Compliant
China RoHS 2 Directive MIIT Order No 32, 2016	No Restricted Materials Above Threshold
EU REACH Regulation (EC) No. 1907/2006	Current ECHA Candidate List: JUNE 2022 (224) Candidate List Declared Against: JAN 2022 (223) SVHC > Threshold: Not Yet Reviewed
Halogen Content	Low Halogen - Br, Cl, F, I < 900 ppm per homogenous material. Also BFR/CFR/PVC Free
Solder Process Capability	Not reviewed for solder process capability

#### Product Compliance Disclaimer

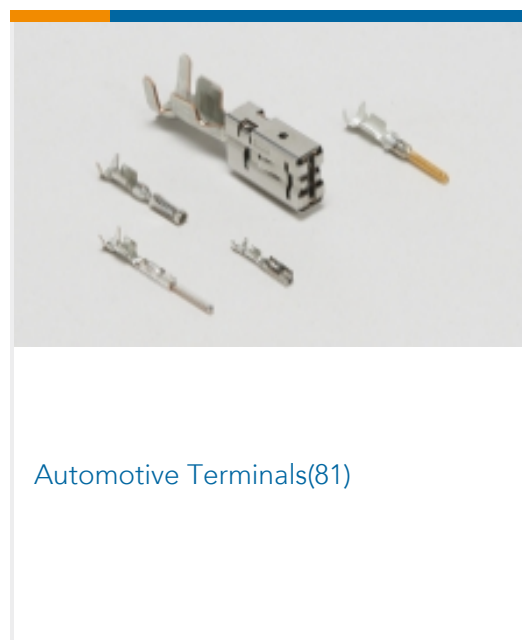
This information is provided based on reasonable inquiry of our suppliers and represents our current actual knowledge based on the information they provided. This information is subject to change. The part numbers that TE has identified as EU RoHS compliant have a maximum concentration of 0.1% by weight in homogenous materials for lead, hexavalent chromium, mercury, PBB, PBDE, DBP, BBP, DEHP, DIBP, and 0.01% for cadmium, or qualify for an exemption to these limits as defined in the Annexes of Directive 2011/65/EU (RoHS2). Finished electrical and electronic equipment products will be CE marked as required by Directive 2011/65/EU. Components may not be CE marked. Additionally, the part numbers that TE has identified as EU ELV compliant have a maximum concentration of 0.1% by weight in homogenous materials for lead, hexavalent chromium, and mercury, and 0.01% for cadmium, or qualify for an exemption to these limits

as defined in the Annexes of Directive 2000/53/EC (ELV). Regarding the REACH Regulation, the information TE provides on SVHC in articles for this part number is based on the latest European Chemicals Agency (ECHA) 'Guidance on requirements for substances in articles' posted at this URL: <https://echa.europa.eu/guidance-documents/guidance-on-reach>

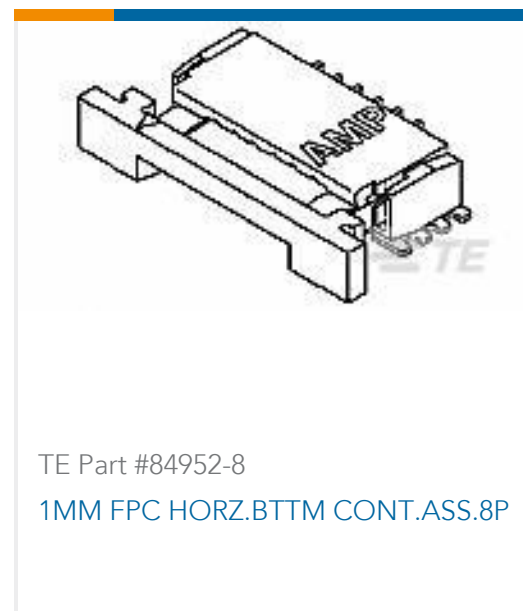
## Compatible Parts

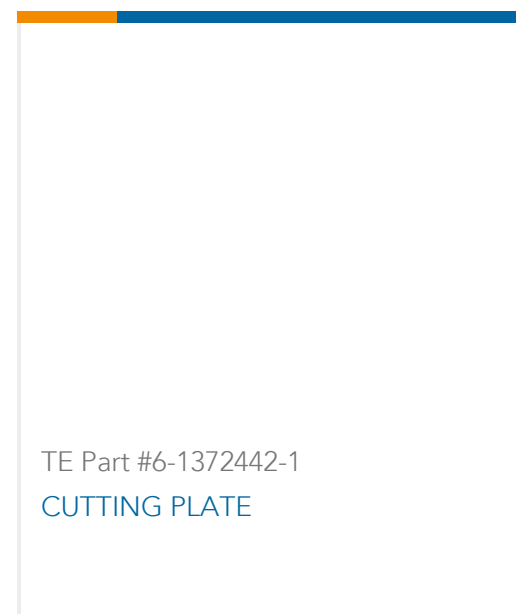
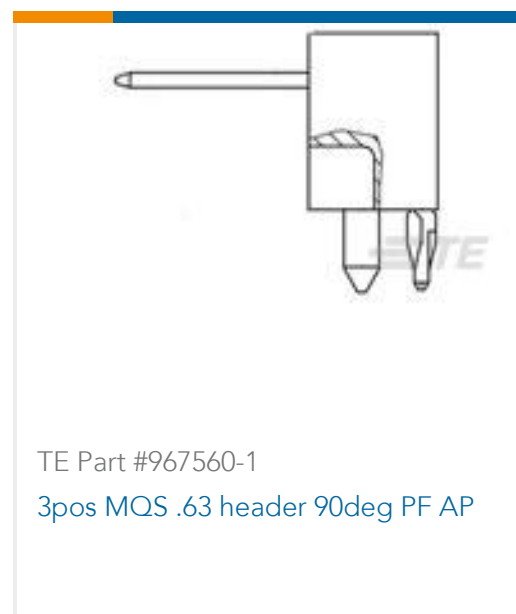


## Also in the Series | Press Fit Pin



## Customers Also Bought





## Documents

### Product Drawings

TAB0.5X0.4,NANO MS,NANOMULTISPRING SNFL

English

### CAD Files

3D PDF

3D

Customer View Model

[ENG\\_CVM\\_CVM\\_2282347-1\\_A.2d\\_dxf.zip](#)

English

Customer View Model

[ENG\\_CVM\\_CVM\\_2282347-1\\_A.3d\\_igs.zip](#)

English

Customer View Model

[ENG\\_CVM\\_CVM\\_2282347-1\\_A.3d\\_stp.zip](#)

English

By downloading the CAD file I accept and agree to the [Terms and Conditions](#) of use.

### Datasheets & Catalog Pages

Press-Fit Connections for the Automotive Industry

English