

2272975-2 ✓ ACTIVE

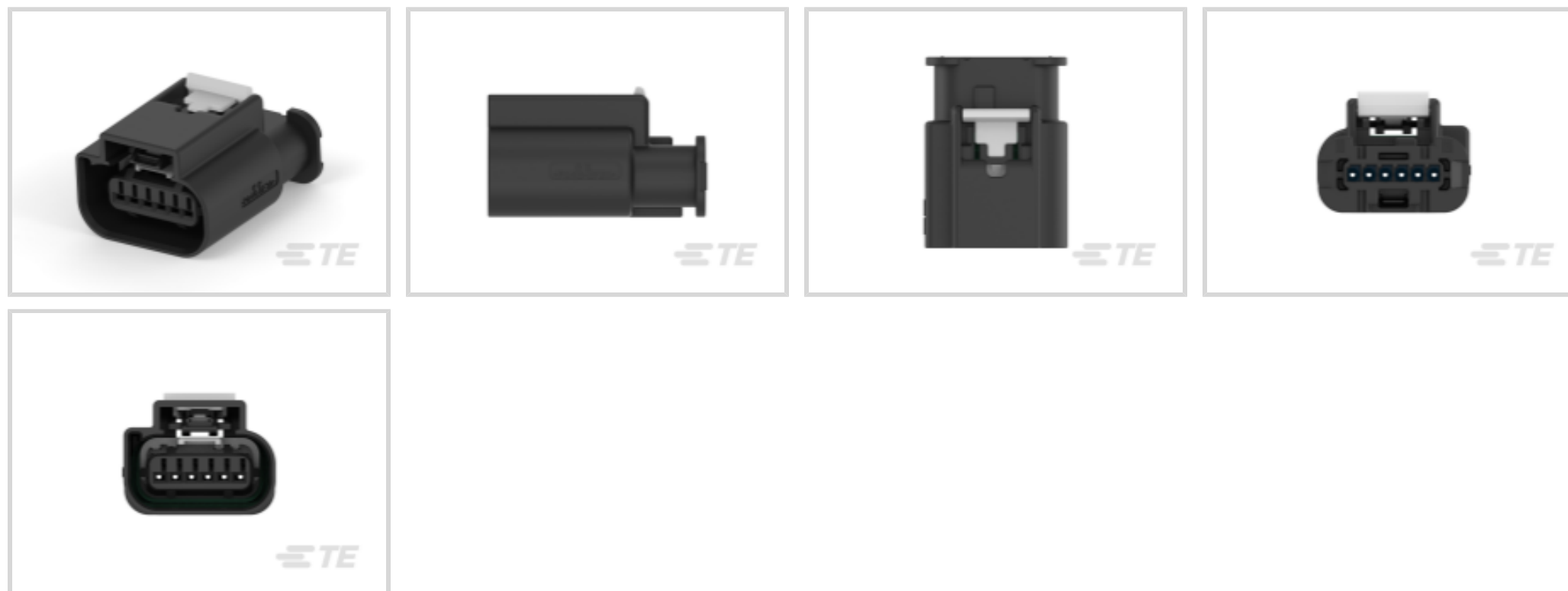
TE Internal #: 2272975-2

Housing for Female Terminals, Wire-to-Board, 6 Position, .1 in [2.54 mm] Centerline, Sealable, Black, Wire & Cable, Signal, Cable Mount (Free-Hanging)

[View on TE.com >](#)



Connectors > Automotive Connectors > Connector Housings



Connector & Housing Type: **Housing for Female Terminals**

Connector System: **Wire-to-Board**

Number of Positions: **6**

Centerline (Pitch): **2.54 mm [.1 in]**

Sealable: **Yes**

Features

Product Type Features

Connector & Housing Shape	Rectangular
Connector & Housing Type	Housing for Female Terminals
Connector System	Wire-to-Board
Sealable	Yes
Hybrid Connector	No
Primary Locking Feature	Integrated in Housing
Connector & Contact Terminates To	Wire & Cable

Configuration Features

Number of Positions	6
Number of Rows	1

Electrical Characteristics

Nominal Voltage Architecture	12 V
------------------------------	------

Body Features

Primary Product Color	Black
-----------------------	-------



Connector Code	B
----------------	---

Contact Features

Contact Size	1.2mm
--------------	-------

Mechanical Attachment

Mating Alignment Type	Keyed
-----------------------	-------

Mating Alignment	With
------------------	------

Connector Mounting Type	Cable Mount (Free-Hanging)
-------------------------	----------------------------

Housing Features

Centerline (Pitch)	2.54 mm[.1 in]
--------------------	----------------

Dimensions

Product Width	32.65 mm[1.28 in]
---------------	-------------------

Product Length	24.5 mm[.964 in]
----------------	------------------

Product Height	18.3 mm[.72 in]
----------------	-----------------

Usage Conditions

Operating Temperature (Max)	150 °C[302 °F]
-----------------------------	----------------

Operating Temperature Range	-40 – 150 °C[-40 – 302 °F]
-----------------------------	----------------------------

Operation/Application

Circuit Application	Signal
---------------------	--------

Packaging Features

Packaging Quantity	1500
--------------------	------

Packaging Method	Bulk
------------------	------

Other

Connector Position Assurance Capable	No
--------------------------------------	----

Product Compliance

[For compliance documentation, visit the product page on TE.com>](#)

EU RoHS Directive 2011/65/EU	Compliant
------------------------------	-----------

EU ELV Directive 2000/53/EC	Compliant
-----------------------------	-----------

China RoHS 2 Directive MIIT Order No 32, 2016	No Restricted Materials Above Threshold
---	---

EU REACH Regulation (EC) No. 1907/2006	Current ECHA Candidate List: JUNE 2022 (224) Candidate List Declared Against: JAN 2021 (211)
--	---







SVHC > Threshold:
Not Yet Reviewed

Halogen Content	Low Halogen - Br, Cl, F, I < 900 ppm per homogenous material. Also BFR/CFR/PVC Free
Solder Process Capability	Not applicable for solder process capability

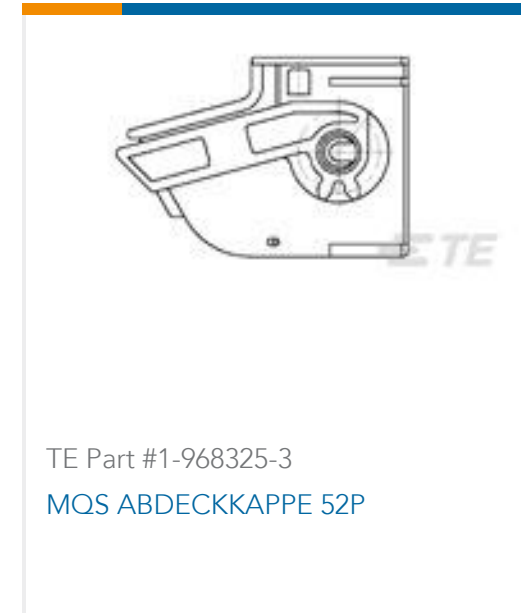
Product Compliance Disclaimer

This information is provided based on reasonable inquiry of our suppliers and represents our current actual knowledge based on the information they provided. This information is subject to change. The part numbers that TE has identified as EU RoHS compliant have a maximum concentration of 0.1% by weight in homogenous materials for lead, hexavalent chromium, mercury, PBB, PBDE, DBP, BBP, DEHP, DIBP, and 0.01% for cadmium, or qualify for an exemption to these limits as defined in the Annexes of Directive 2011/65/EU (RoHS2). Finished electrical and electronic equipment products will be CE marked as required by Directive 2011/65/EU. Components may not be CE marked. Additionally, the part numbers that TE has identified as EU ELV compliant have a maximum concentration of 0.1% by weight in homogenous materials for lead, hexavalent chromium, and mercury, and 0.01% for cadmium, or qualify for an exemption to these limits as defined in the Annexes of Directive 2000/53/EC (ELV). Regarding the REACH Regulation, the information TE provides on SVHC in articles for this part number is based on the latest European Chemicals Agency (ECHA) 'Guidance on requirements for substances in articles' posted at this URL: <https://echa.europa.eu/guidance-documents/guidance-on-reach>

Compatible Parts

 <p>TE Part # CAT-M4595-T273 MCON, RECEPTACLE AND TAB</p>	 <p>TE Part # 2272976-2 Right Angle Wire Dress</p>	 <p>TE Part # 2272976-3 Right Angle Wire Dress</p>	 <p>TE Part # 2272976-4 Straight Wire Dress</p>
<p>TE Part # 2098221-1 6 Way Peripheral Seal</p>	<p>TE Part # 2138289-1 6 Pos MCON ISL</p>	<p>TE Part # 2138290-1 6 Pos MCON Mat Seal</p>	<p>TE Part # 2138291-2 6 Pos MCON CPA</p>
<p>TE Part # 2138295-1 6 Pos MCON Inner Hsg</p>	<p>TE Part # 2272974-2 6 POS MCON OUTER HSG KEY B</p>	<p>TE Part # 2272976-5 REC CONN CVR,6POS,MCON 1.2,180 DEG</p>	

Customers Also Bought



Documents

Product Drawings

[6 Pos. Sealed MCON 1.2 Connect](#)

English

CAD Files

[3D PDF](#)

3D

Customer View Model

[ENG_CVM_CVM_2272975-2_A.2d_dxf.zip](#)

English

Customer View Model

[ENG_CVM_CVM_2272975-2_A.3d_igs.zip](#)

English

Customer View Model

[ENG_CVM_CVM_2272975-2_A.3d_stp.zip](#)

English

By downloading the CAD file I accept and agree to the [Terms and Conditions](#) of use.

Instruction Sheets

[Instruction Sheet \(U.S.\)](#)

English