



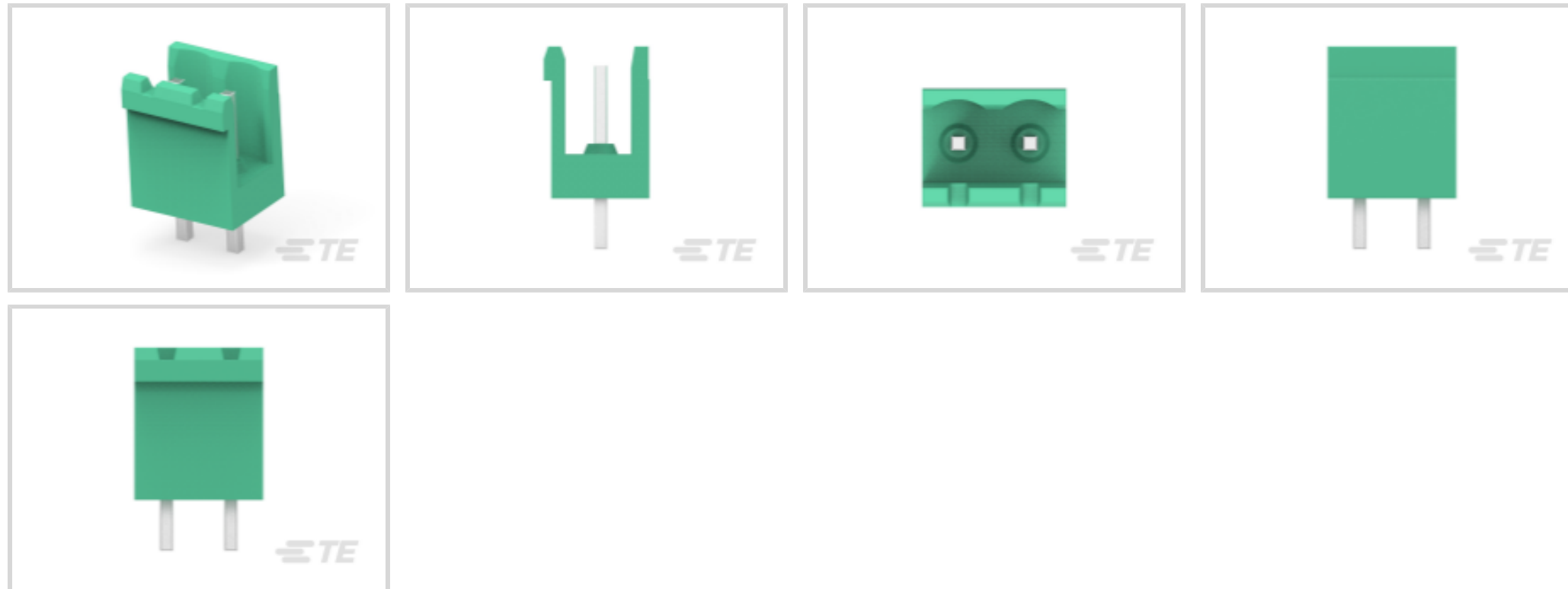
**Buchanan**

TE Internal #: 282825-2

PCB Terminal Blocks, Header, Wire-to-Board, 2 Position, .2 in [5.08 mm] Centerline, 1 Row, 15 A, 300 VAC, Printed Circuit Board, Power & Signal

[View on TE.com >](#)

Connectors > Terminal Blocks & Strips > PCB Terminal Blocks



Terminal Block Connector Type: **Header**

Connector System: **Wire-to-Board**

Number of Positions: **2**

Centerline (Pitch): **5.08 mm [ .2 in ]**

Number of Rows: **1**

**Features**

**Product Type Features**

Block Type	PCB Mount
Header Type	Partially Shrouded
Terminal Block Connector Type	Header
Connector System	Wire-to-Board
Connector & Contact Terminates To	Printed Circuit Board

**Configuration Features**

Threaded Flange	Without
Closed End	Without
Stacking Configuration	Side Stackable
Number of Positions	2
Number of Rows	1

**Electrical Characteristics**

Current Rating (Max)	15 A
Voltage Rating	300 VAC



### Body Features

Interlock	Without
-----------	---------

### Contact Features

Contact Mating Area Plating Material	Tin
Contact Mount	Through Hole
Contact Base Material	Copper Magnesium
Contact Current Rating (Max)	15 A

### Mechanical Attachment

Mating Angle	180°
Screwless Terminal Block	No
Mounting Angle	Vertical
Screw Flange	Without
Connector Mounting Type	Board Mount

### Housing Features

Housing Color	Green
Housing Material	PA 66
Centerline (Pitch)	5.08 mm [.2 in]

### Dimensions

PCB Tail Length	3.5 mm [.138 in]
-----------------	------------------

### Usage Conditions

Operating Temperature Range	-40 – 105 °C [-40 – 221 °F]
-----------------------------	-----------------------------

### Operation/Application

Circuit Application	Power & Signal
---------------------	----------------

### Packaging Features

Packaging Method	Box
Packaging Quantity	300

### Product Compliance

For compliance documentation, visit the product page on [TE.com](https://www.te.com)>

EU RoHS Directive 2011/65/EU	Compliant
EU ELV Directive 2000/53/EC	Compliant



China RoHS 2 Directive MIIT Order No 32, 2016

No Restricted Materials Above Threshold

EU REACH Regulation (EC) No. 1907/2006

Current ECHA Candidate List: JUNE 2022 (224)

Candidate List Declared Against: JAN 2021 (211)

SVHC > Threshold:

Not Yet Reviewed

Halogen Content

Low Halogen - Br, Cl, F, I < 900 ppm per homogenous material. Also BFR/CFR/PVC Free

Solder Process Capability

Wave solder capable to 240°C

Product Compliance Disclaimer

This information is provided based on reasonable inquiry of our suppliers and represents our current actual knowledge based on the information they provided. This information is subject to change. The part numbers that TE has identified as EU RoHS compliant have a maximum concentration of 0.1% by weight in homogenous materials for lead, hexavalent chromium, mercury, PBB, PBDE, DBP, BBP, DEHP, DIBP, and 0.01% for cadmium, or qualify for an exemption to these limits as defined in the Annexes of Directive 2011/65/EU (RoHS2). Finished electrical and electronic equipment products will be CE marked as required by Directive 2011/65/EU. Components may not be CE marked. Additionally, the part numbers that TE has identified as EU ELV compliant have a maximum concentration of 0.1% by weight in homogenous materials for lead, hexavalent chromium, and mercury, and 0.01% for cadmium, or qualify for an exemption to these limits as defined in the Annexes of Directive 2000/53/EC (ELV). Regarding the REACH Regulation, the information TE provides on SVHC in articles for this part number is based on the latest European Chemicals Agency (ECHA) 'Guidance on requirements for substances in articles' posted at this URL: <https://echa.europa.eu/guidance-documents/guidance-on-reach>


## Compatible Parts



TE Part # 796634-2  
2 POS 5.08MM R/A PLUG, TRM BLK



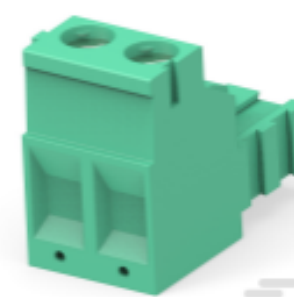
TE Part # 796635-2  
2 POS 5.08MM R/A PLUG, TRM BLK



TE Part # 284047-2  
TERMI-BLOK VERTICAL PLUG STACK



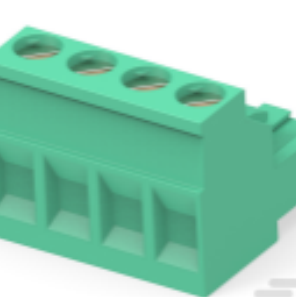
TE Part # 284041-2  
TERMINAL BLOCK VERTICAL PLUG S



TE Part # 282807-2  
TERMI-BLOK PLUG STACKING 2P.5,



TE Part # 1986262-2  
2 POS PLUG SPRING CONN, PITCH 5.08

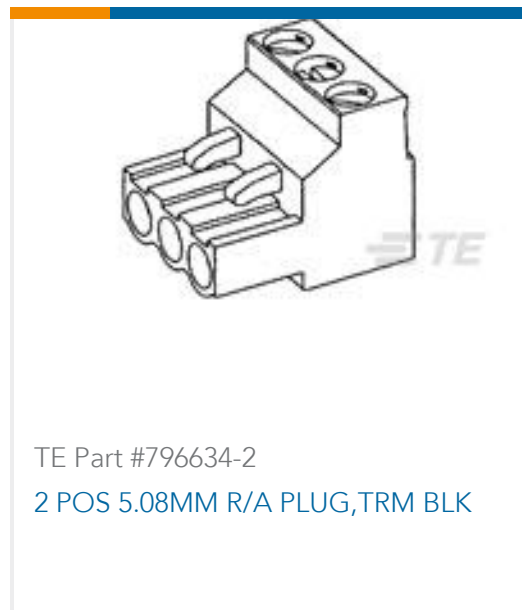


TE Part # 5-796634-6  
TERMI-BLOK HDR,-2 W/8MICRO" AU"



TE Part # 6-796634-2  
2 POS 5.08MM R/A PLUG, TRM BLK

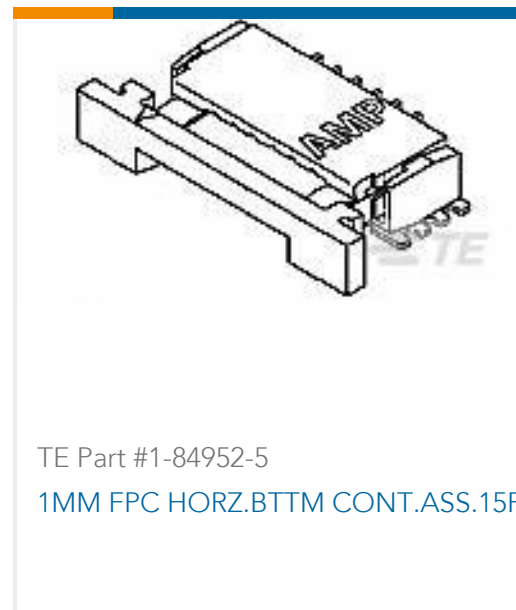
## Customers Also Bought



TE Part #796634-2  
2 POS 5.08MM R/A PLUG,TRM BLK



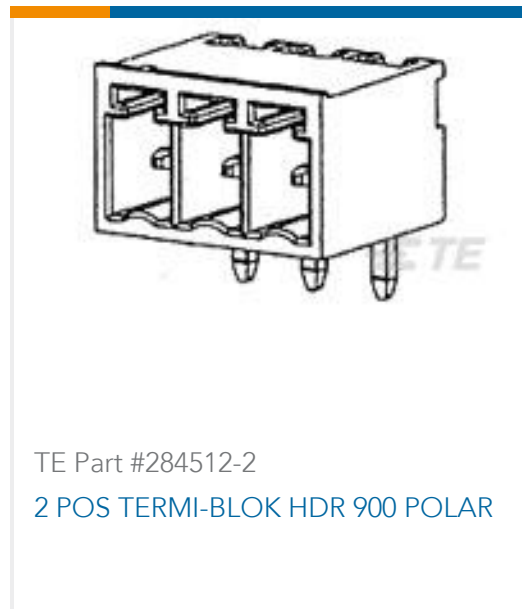
TE Part #1623131-1  
CRG0805 1% 1K0



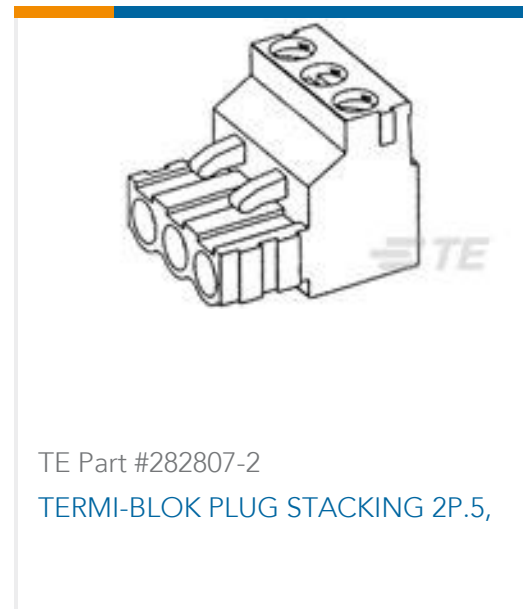
TE Part #1-84952-5  
1MM FPC HORZ.BTTM CONT.ASS.15P



TE Part #6-2176328-1  
CRGP 1206 1M0 1%



TE Part #284512-2  
2 POS TERMI-BLOK HDR 900 POLAR



TE Part #282807-2  
TERMI-BLOK PLUG STACKING 2P.5,

## Documents

### Product Drawings

[TERMI-BLOK HEADER,ASSY90 2P.5,](#)

English

### CAD Files

Customer View Model

[ENG\\_CVM\\_282825-2\\_D.3d\\_igs.zip](#)

English

Customer View Model

[ENG\\_CVM\\_282825-2\\_D.3d\\_stp.zip](#)

English

Customer View Model

[ENG\\_CVM\\_282825-2\\_D.2d\\_dxf.zip](#)

English

### 3D PDF

English

By downloading the CAD file I accept and agree to the [Terms and Conditions](#) of use.

### Datasheets & Catalog Pages

[Eurostyle Terminal Blocks Focus Product Stock List](#)

English

[BUCHANAN TERMINAL BLOCKS CATALOG - EUROSTYLE TERMINAL BLOCKS](#)

English

[BUCHANAN PCB TERMINAL BLOCKS](#)

English

[1-1773458-1\\_EURO\\_STYLE\\_TERMINAL\\_BLOCKS\\_QRG](#)

English



---

**Product Specifications**

**Application Specification**

English

---

**Product Environmental Compliance**

**Product Compliance**

English

**Product Compliance**

English