

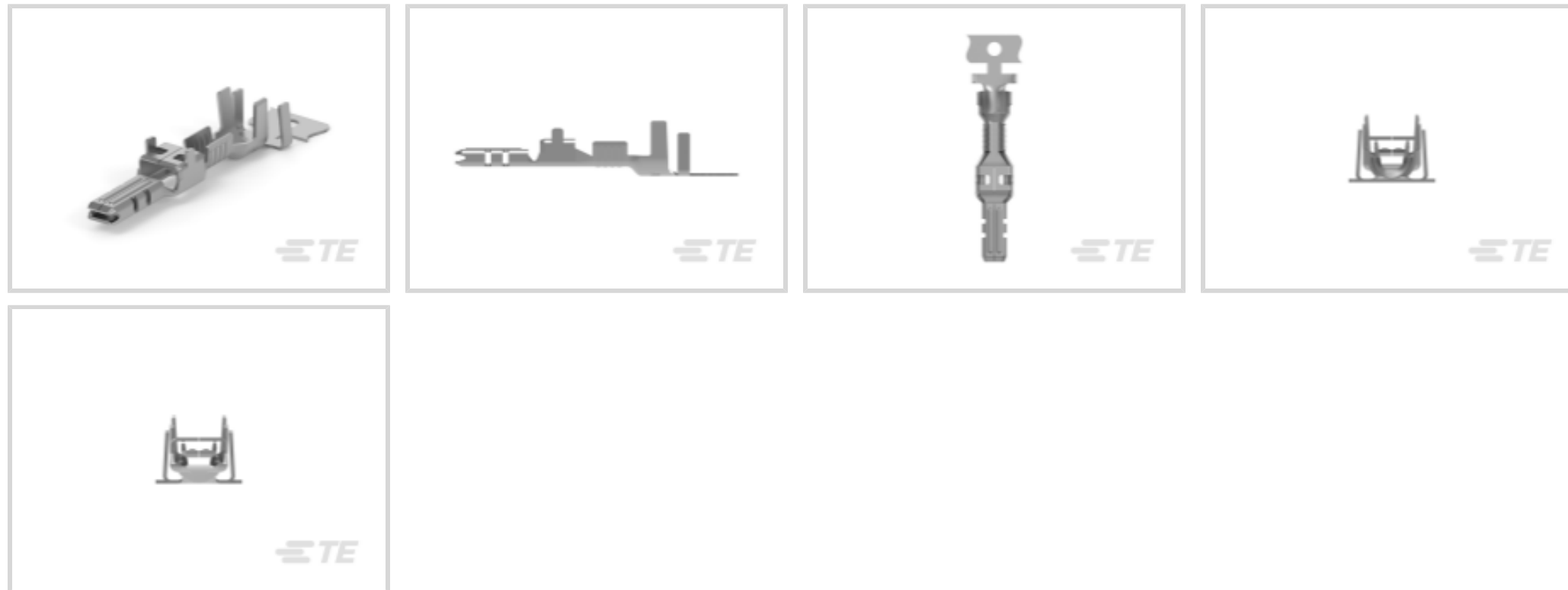


TE Internal #: 2238067-1

Power Contacts, Contact, 600 VAC, 600 VDC, Tin, 18 AWG Wire Size, .8 mm² Wire Size, 1480 – 1973 CMA Wire Size, Wire-to-Wire, Wire & Cable, Crimp

[View on TE.com >](#)

Connectors > Power Connectors > Power Contacts > POWER TRIPLE LOCK TAB CONTACT



Power Contact Type: **Contact**

Operating Voltage: **600 VDC**

Contact Mating Area Plating Material: **Tin**

Wire Size: **18 AWG**

[All POWER TRIPLE LOCK TAB CONTACT \(12\)](#)

Features

Product Type Features

Power Contact Type	Contact
Connector System	Wire-to-Wire
Sealable	No
Connector & Contact Terminates To	Wire & Cable

Electrical Characteristics

Continuous Current Rating	8 A
Operating Voltage	600 VDC

Contact Features

Contact Mating Area Plating Material	Tin
Contact Current Rating (Max)	8 A
Contact Type	Tab
Contact Retention Within Housing	Without
Mating Tab Width	2.7 mm[.106 in]
Mating Tab Thickness	1.63 mm[.064 in]



Contact Base Material	Brass
Wire Contact Termination Area Plating Thickness	.8 – 1.5 µm[31.49 – 59.05 µin]
Wire Contact Termination Area Plating Material	Tin
Contact Orientation	Straight
Barrel Type	Open Barrel

Termination Features

Termination Method to Wire & Cable	Crimp
------------------------------------	-------

Mechanical Attachment

Wire Insulation Support	With
-------------------------	------

Dimensions

Wire Size	1480 – 1973 CMA
Accepts Wire Insulation Diameter Range	2.4 – 3.3 mm[.094 – .129 in]

Usage Conditions

Operating Temperature Range	-55 – 105 °C[-67 – 221 °F]
-----------------------------	----------------------------

Operation/Application

Circuit Application	Power
---------------------	-------

Industry Standards

Agency/Standard	UL
-----------------	----

Packaging Features

Packaging Method	Reel
------------------	------

Other

Wire/Cable Type	Discrete Wire
Wire Type	Stranded
For Use With	Cap Housing

Product Compliance

[For compliance documentation, visit the product page on TE.com>](#)

EU RoHS Directive 2011/65/EU	Compliant
EU ELV Directive 2000/53/EC	Compliant
China RoHS 2 Directive MIIT Order No 32, 2016	No Restricted Materials Above Threshold
EU REACH Regulation (EC) No. 1907/2006	Current ECHA Candidate List: JUNE 2022 (224)



Candidate List Declared Against: JAN 2022
(223)
SVHC > Threshold:
Not Yet Reviewed

Halogen Content
Low Halogen - Br, Cl, F, I < 900 ppm per homogenous material. Also BFR/CFR/PVC Free

Solder Process Capability
Not reviewed for solder process capability

Product Compliance Disclaimer

This information is provided based on reasonable inquiry of our suppliers and represents our current actual knowledge based on the information they provided. This information is subject to change. The part numbers that TE has identified as EU RoHS compliant have a maximum concentration of 0.1% by weight in homogenous materials for lead, hexavalent chromium, mercury, PBB, PBDE, DBP, BBP, DEHP, DIBP, and 0.01% for cadmium, or qualify for an exemption to these limits as defined in the Annexes of Directive 2011/65/EU (RoHS2). Finished electrical and electronic equipment products will be CE marked as required by Directive 2011/65/EU. Components may not be CE marked. Additionally, the part numbers that TE has identified as EU ELV compliant have a maximum concentration of 0.1% by weight in homogenous materials for lead, hexavalent chromium, and mercury, and 0.01% for cadmium, or qualify for an exemption to these limits as defined in the Annexes of Directive 2000/53/EC (ELV). Regarding the REACH Regulation, the information TE provides on SVHC in articles for this part number is based on the latest European Chemicals Agency (ECHA) 'Guidance on requirements for substances in articles' posted at this URL: <https://echa.europa.eu/guidance-documents/guidance-on-reach>

Compatible Parts



TE Part # CAT-P87074-C1701
POWER TRIPLE LOCK STD TEMP CAP



TE Part # CAT-P87074-C1701A
POWER TRIPLE LOCK HIGH TEMP CAP



TE Part # 1452426-1
EXTRACTION TOOL



TE Part # 1-2232263-1
PTL 1X2 CAP PANEL MT HOT WIRE KEY A BLK



TE Part # CAT-P87074-P729
POWER TRIPLE LOCK STD TEMP PLUG



TE Part # CAT-P87074-C1701B
POWER TRIPLE LOCK: Glow Wire Cap



TE Part # 2151743-1
OCEAN_2.0_Applicator-S-080F140OV



TE Part # 7-2151743-7
OCEAN_2.0_SPARE_PART_KIT-080F140OV



TE Part # 1-2232264-1
PTL 2X3 CAP PANEL MT HOT WIRE
KEY A BLK



TE Part # 1-2232356-6
PTL 3X3 CAP PANEL MT HOT WIRE
KEY A BLK



TE Part # 2-2151743-1
OCEAN_2.0_Applicator-S-080F1400V



TE Part # 2-2151743-2
OCEAN_2.0_Applicator-S-080F1400V



TE Part # 2-2232263-1
PTL 1X2 CAP PANEL MT HOT WIRE
KEY B NAT



TE Part # 2151743-2
OCEAN_2.0_Applicator-S-080F1400V

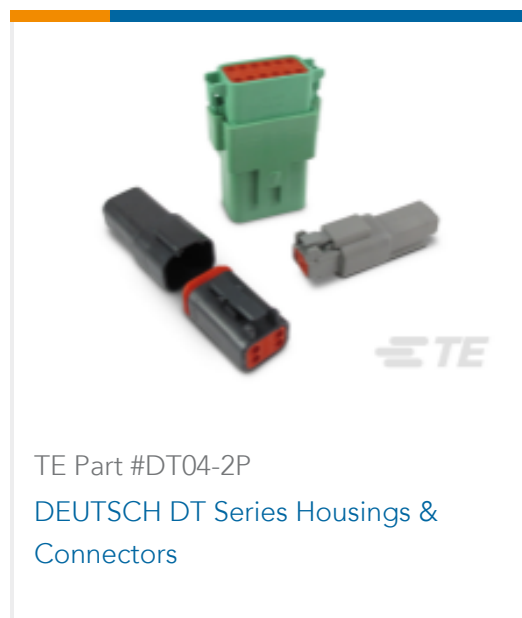


TE Part # 7-2151743-1
OCEAN_2.0_Applicator-S-080F1400V



TE Part # 7-2151743-2
OCEAN_2.0_Applicator-S-080F1400V

Customers Also Bought



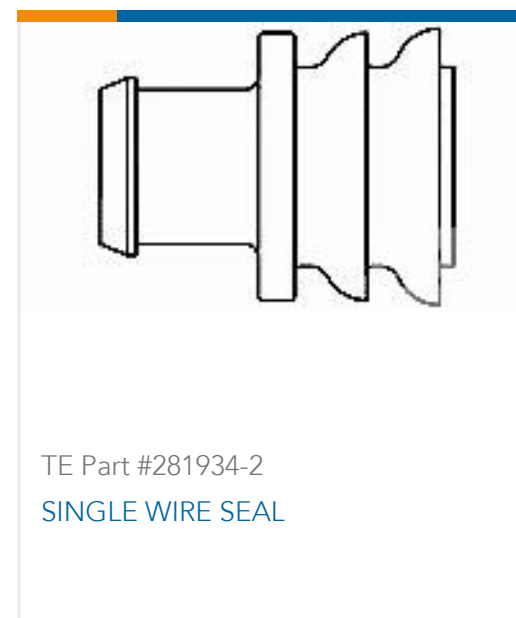
TE Part #DT04-2P
DEUTSCH DT Series Housings &
Connectors



TE Part #W2S
DEUTSCH DT WEDGELOCKS



TE Part #282104-1
AMP SUPERSEAL 1.5MM,
CONNECTOR HOUSING



TE Part #281934-2
SINGLE WIRE SEAL



TE Part #0460-202-16141
DEUTSCH SOLID CONTACTS



TE Part #114017-ZZ
SEALING PLUG, SIZE 12/16, WHT

Documents

CAD Files

[3D PDF](#)

[3D](#)

Customer View Model

[ENG_CVM_CVM_2238067-1_C.2d_dxf.zip](#)

English

Customer View Model

[ENG_CVM_CVM_2238067-1_C.3d_igs.zip](#)

English



Customer View Model

[ENG_CVM_CVM_2238067-1_C.3d_stp.zip](#)

English

By downloading the CAD file I accept and agree to the [Terms and Conditions](#) of use.

Product Specifications

[Application Specification](#)

English

Product Environmental Compliance

[Product Compliance](#)

English

[Product Compliance](#)

English

Instruction Sheets

[Instruction Sheet \(U.S.\)](#)

English

Agency Approvals

[VDE Certificate](#)

English