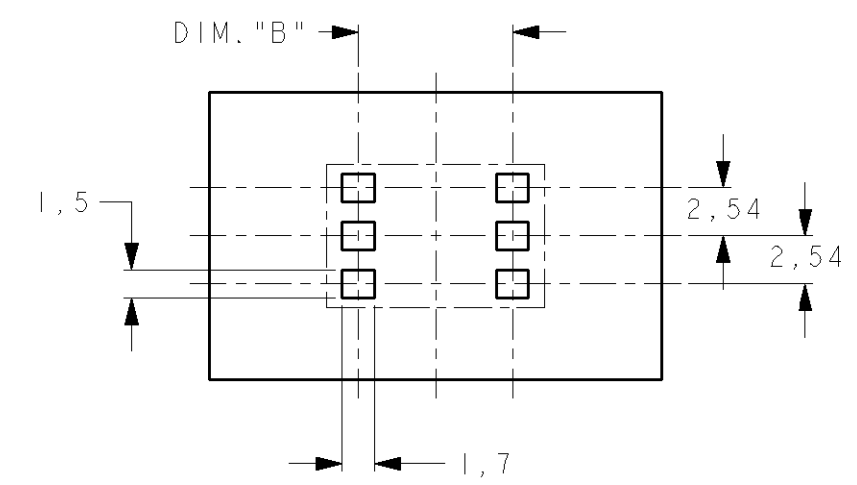
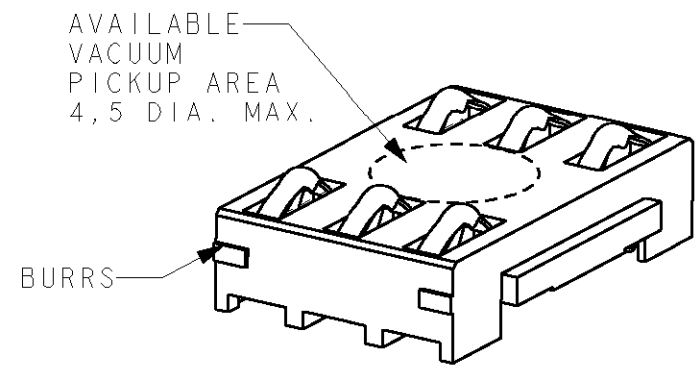
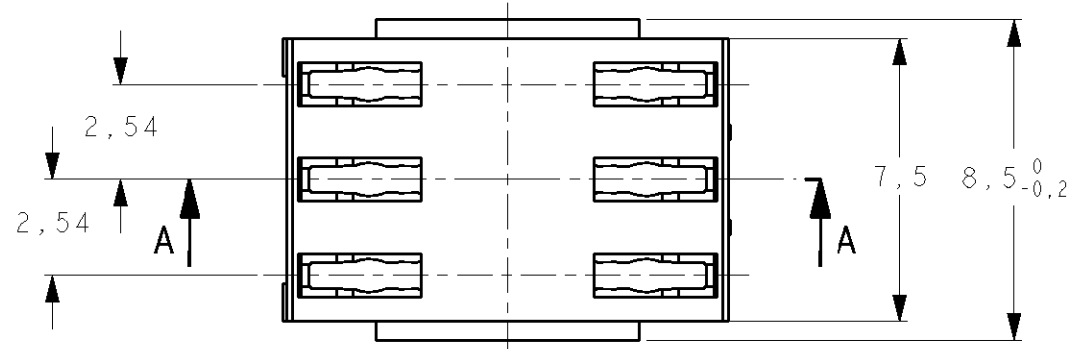
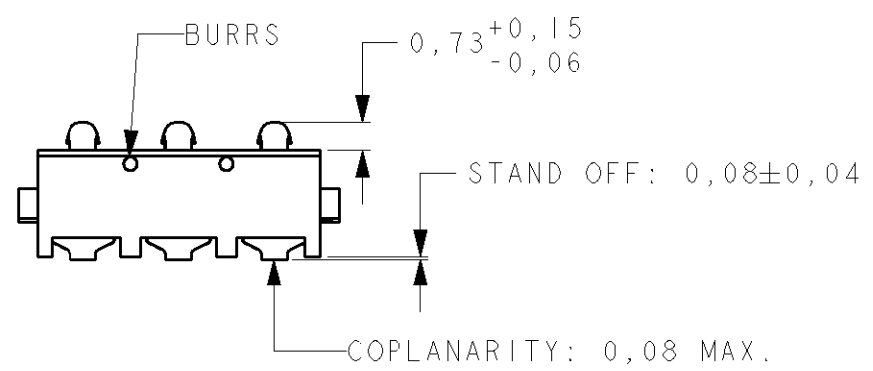
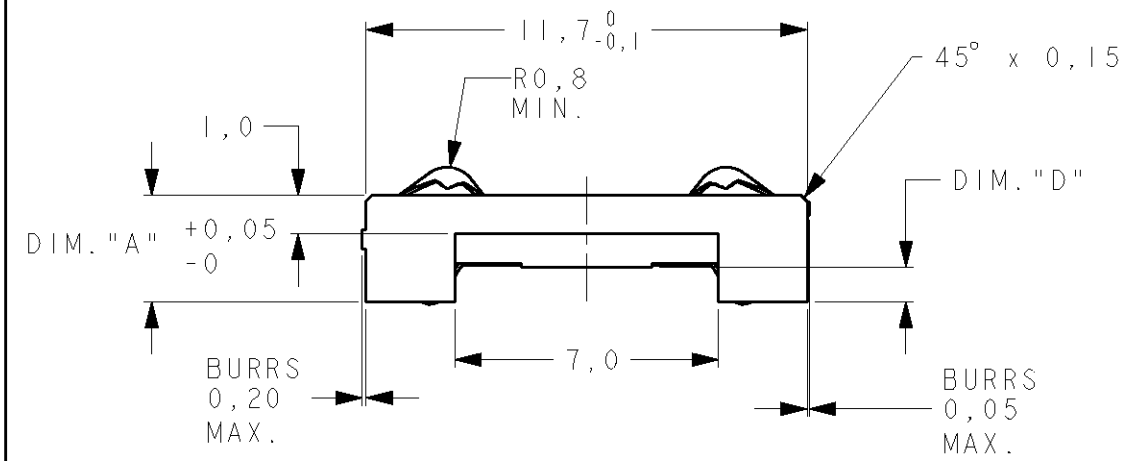


THIS DRAWING IS UNPUBLISHED.   
 RELEASABLE FOR PUBLICATION DATE: -   
 © COPYRIGHT - 97 By Tyco Electronics Nederland B.V. ALL RIGHTS RESERVED.

LOC	DIST	REVISIONS			
LTR	DESCRIPTION	DATE	APVD		
H	-	K4	EH01-0311-02	17JUN02	PJ



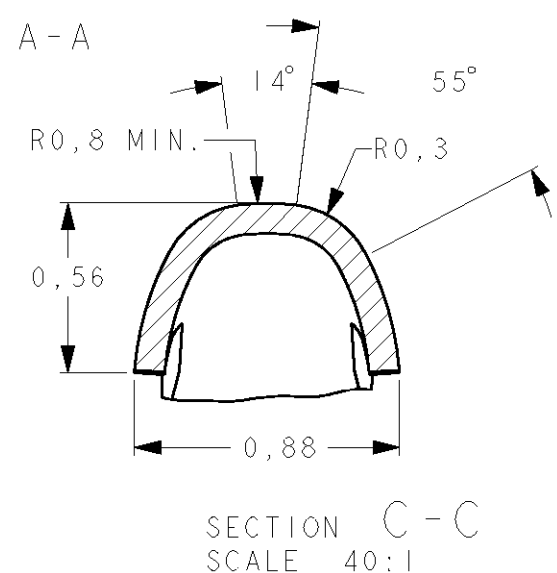
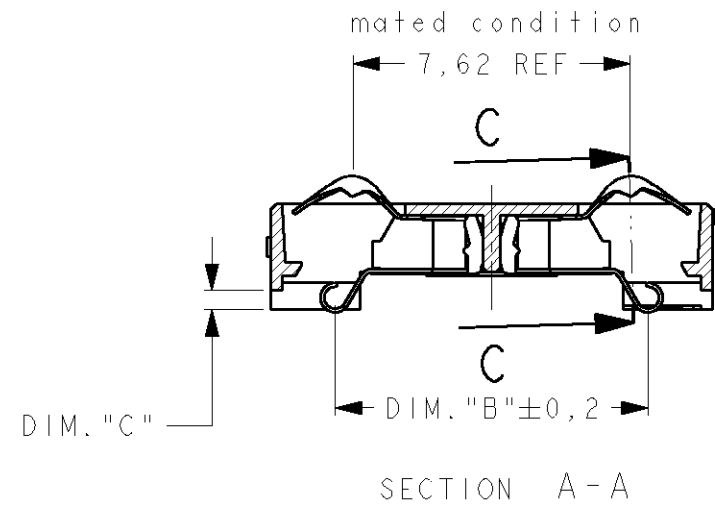
RECOMMENDED PCB LAYOUT  
SCALE 5:2



2-338063-8 AS SHOWN

MATERIAL & FINISH:  
 HOUSING: GF LIQUID CRISTAL POLYMER UL 94V-0, COLOUR BLACK  
 CONTACT: PHOSPHOR BRONZE  
 PLATING: - CARD SIDE 1,25 µm Au SELECTIVE  
 - SOLDER SIDE 0,1-0,2 µm Au SELECTIVE  
 - UNDER LAYER 1,3 µm Ni  
 PACKAGING: POCKET TAPE ACCORDING EIA 481-2 SEE SHEET 2

part number	DIM. "A"	DIM. "B"	DIM. "C"	DIM. "D"	TOOLED
1-338063-9	1,9	8,3	0,0	0,0	YES
2-338063-0	2,0	8,3	0,1	0,0	YES
2-338063-1	2,1	8,3	0,2	0,1	NOT YET
2-338063-2	2,2	8,3	0,3	0,2	YES
2-338063-3	2,3	8,3	0,4	0,3	NOT YET
2-338063-4	2,4	8,2	0,5	0,4	YES
2-338063-5	2,5	8,2	0,5	0,5	YES
2-338063-6	2,6	8,2	0,5	0,6	YES
2-338063-7	2,7	8,1	0,5	0,7	NOT YET
2-338063-8	2,8	8,1	0,5	0,8	YES
2-338063-9	2,9	9,3	0,5	0,9	NOT YET
3-338063-0	3,0	9,3	0,5	1,0	NOT YET
3-338063-1	3,1	9,2	0,5	1,1	NOT YET
3-338063-2	3,2	9,2	0,5	1,2	NOT YET
3-338063-3	3,3	9,1	0,5	1,3	NOT YET
3-338063-4	3,4	9,1	0,5	1,4	NOT YET
3-338063-5	3,5	9,0	0,5	1,5	NOT YET
3-338063-6	3,6	8,9	0,5	1,6	NOT YET
3-338063-7	3,7	8,9	0,5	1,7	YES
3-338063-8	3,8	8,8	0,5	1,8	NOT YET
3-338063-9	3,9	8,7	0,5	1,9	NOT YET
4-338063-0	4,0	8,6	0,5	2,0	YES



THIS DRAWING IS A CONTROLLED DOCUMENT FOR Tyco Electronics Nederland B.V. IT IS SUBJECT TO CHANGE AND THE CONTROLLING ENGINEERING ORGANIZATION SHOULD BE CONTACTED FOR THE LATEST REVISION.		DWN	W. Jansen
DIMENSIONS: mm		CHK	W. Jansen 07Nov96
TOLERANCES UNLESS OTHERWISE SPECIFIED:		APVD	C.v.Tilburg 07Nov96
0 PLC ± -		PRODUCT SPEC	108-19122
1 PLC ± -		APPLICATION SPEC	114-19054
2 PLC ± -		WEIGHT	0,22-0,29 gr.
3 PLC ± -			
4 PLC ± -			
ANGLES ± °, ' "			
MATERIAL	FINISH		

**AMP** Tyco Electronics Nederland B.V.  
 's-HERTOGENBOSCH, THE NETHERLANDS

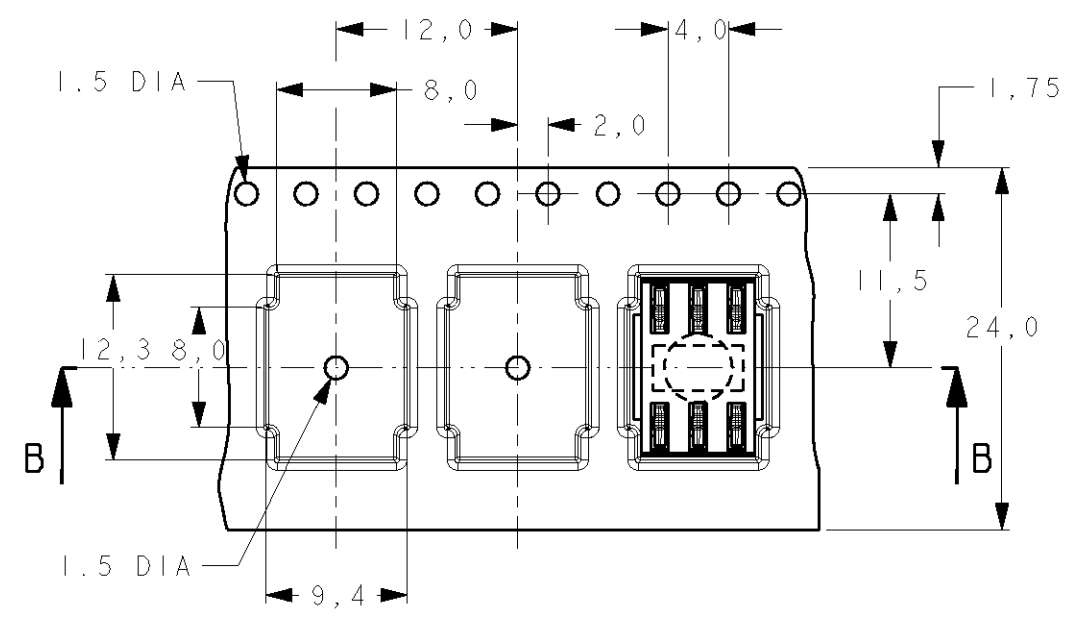
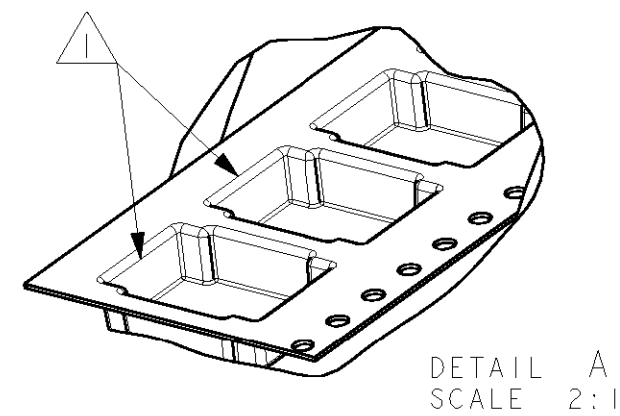
NAME: GENERIC SIM CONTACT MODULE WITH CONTACT STOP

SIZE: A3 CAGE CODE: 00779 DRAWING NO: 338063

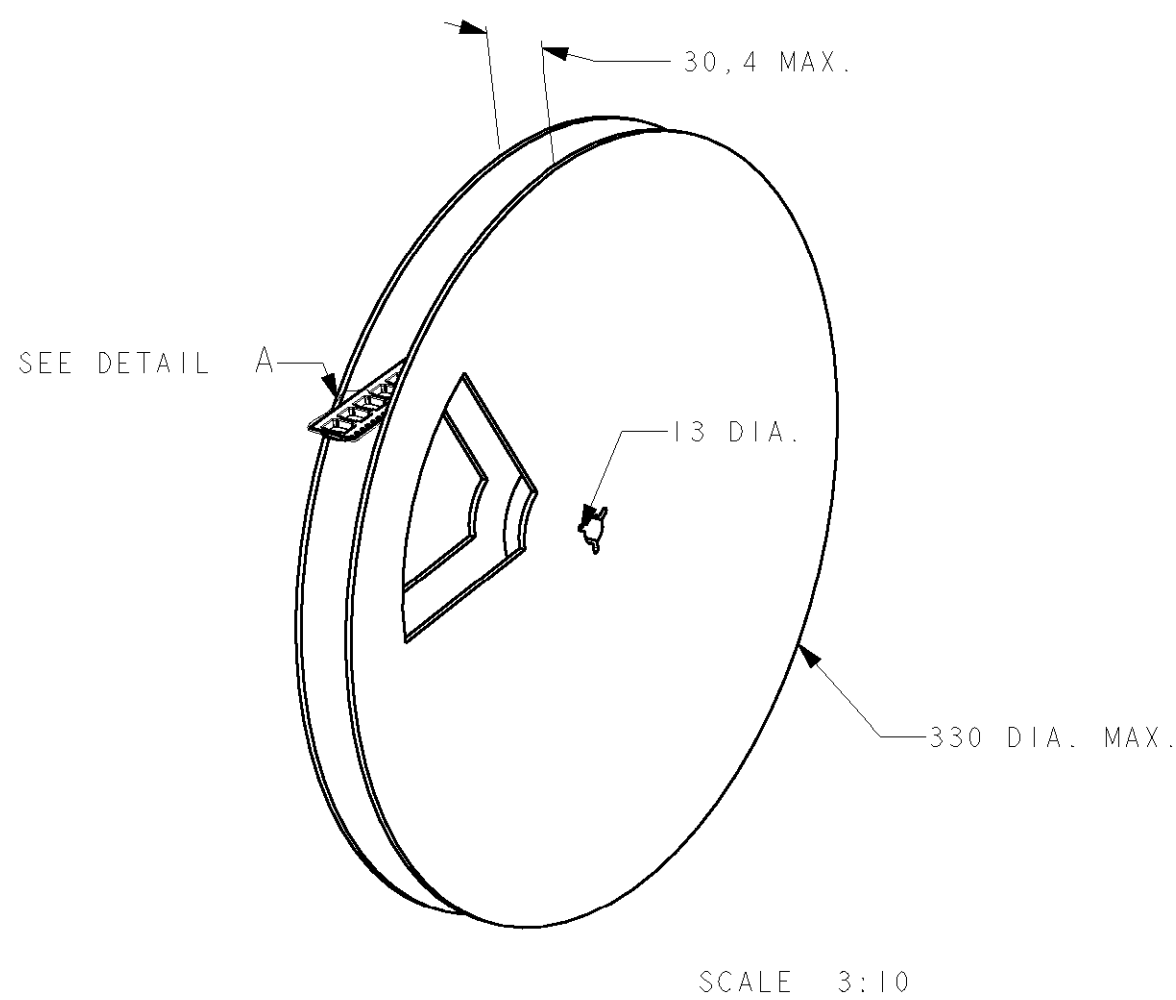
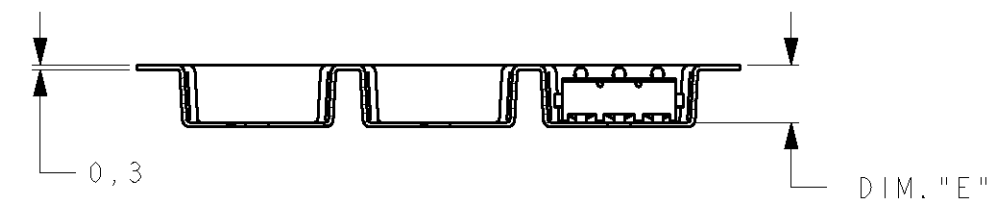
SCALE: 5:1 SHEET: 1 OF 2 REV: K4

THIS DRAWING IS UNPUBLISHED.   
 RELEASABLE FOR PUBLICATION DATE: -   
 © COPYRIGHT - 97 By Tyco Electronics Nederland B.V. ALL RIGHTS RESERVED.

LOC	DIST	REVISIONS			
H	-	LTR	DESCRIPTION	DATE	APVD
		-	see sheet 1	-	-



part number	POCKET TAPE VERSION	DIM. "E"
1-338063-9	LOW	3,8
2-338063-0	LOW	3,8
2-338063-1	LOW	3,8
2-338063-2	LOW	3,8
2-338063-3	LOW	3,8
2-338063-4	LOW	3,8
2-338063-5	LOW	3,8
2-338063-6	LOW	3,8
2-338063-7	LOW	3,8
2-338063-8	LOW	3,8
2-338063-9	HIGH	5,3
3-338063-0	HIGH	5,3
3-338063-1	HIGH	5,3
3-338063-2	HIGH	5,3
3-338063-3	HIGH	5,3
3-338063-4	HIGH	5,3
3-338063-5	HIGH	5,3
3-338063-6	HIGH	5,3
3-338063-7	HIGH	5,3
3-338063-8	HIGH	5,3
3-338063-9	HIGH	5,3
4-338063-0	HIGH	5,3



NOTES:

△ THE FIRST 33 POCKETS ARE EMPTY AND THE LAST 14 POCKETS ARE EMPTY.  
 ONE REEL CONTAINS 1400 PRODUCTS FOR LOW VERSION  
 1140 PRODUCTS FOR HIGH VERSION

DESCRIPTION	MATERIAL	COLOUR
SEALED COVER TAPE	PET/PE	TRANSPARENT
EMBOSSD CARRIER TAPE	PS	GREY
REEL	PS	GREY

THIS DRAWING IS A CONTROLLED DOCUMENT FOR Tyco Electronics Nederland B.V. IT IS SUBJECT TO CHANGE AND THE CONTROLLING ENGINEERING ORGANIZATION SHOULD BE CONTACTED FOR THE LATEST REVISION.

DIMENSIONS: mm	TOLERANCES UNLESS OTHERWISE SPECIFIED:
	0 PLC ± -
	1 PLC ± -
	2 PLC ± -
	3 PLC ± -
	4 PLC ± -
	ANGLES ± -° ' "
MATERIAL	FINISH
-	-

DWN W. Jansen	<b>AMP Tyco Electronics Nederland B.V.</b> *S-HERTOGENBOSCH, THE NETHERLANDS	
CHK W. Jansen 07Nov96		
APVD C.v.Tilburg 07Nov96	NAME	
PRODUCT SPEC 108-19122	GENERIC SIM CONTACT MODULE WITH CONTACT STOP	
APPLICATION SPEC 114-19054	SIZE A3	CAGE CODE 00779
WEIGHT 0,22-0,29 gr.	DRAWING NO C-338063	
SCALE 2:1		SHEET 2 OF 2
		REV K4