

**Mark II**

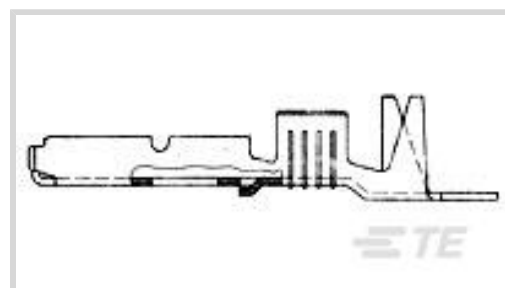
TE Internal #: 281938-2

Automotive Terminals, Receptacle, Mating Tab Width 3 mm [.118 in], Tab Thickness .026 in [.65 mm], 13 AWG Wire Size, 2.5 mm²

Wire Size, Mark II

[View on TE.com >](#)

Terminals & Splices > Automotive Terminals

Terminal Type: **Receptacle**Mating Tab Width: **3 mm [.118 in]**Mating Tab Thickness: **.65 mm [.026 in]**Terminal Transmits: **0 – 24 A (Low Power)**Wire Size: **13 AWG****Features****Product Type Features**

Receptacle Style	180°
Sealable	Yes
Primary Locking Feature	Clean Body

Body Features

Terminal Seal Type	Single Wire Seal (SWS)
--------------------	------------------------

Contact Features

Contact Fabrication	Stamped & Formed
Typical Current Rating	16 A
Crimp Type	F-Crimp
Terminal Type	Receptacle
Mating Tab Width	3 mm [.118 in]
Mating Tab Thickness	.65 mm [.026 in]
Interface Plating	Tin (Sn)
Contact Termination Area Plating Material	Tin (Sn)

Termination Features

Termination Method to Wire & Cable	Crimp
Product Terminates To	Wire

Dimensions



Wire Size	2.5 mm ²
Wire Size Search	13 AWG
Wire Insulation Diameter	2.5 – 3.3 mm

Usage Conditions

Insulation Option	Uninsulated
Operating Temperature (Max)	80 °C, 85 °C, 90 °C, 100 °C, 105 °C [176 °F][185 °F][194 °F][212 °F][221 °F]
Operating Temperature Range	-30 – 105 °C [-22 – 221 °F]

Operation/Application

Compatible With Wire Base Material	Copper
------------------------------------	--------

Packaging Features

Packaging Method	Reel
Packaging Quantity	3000

Other

Terminal Transmits	0 – 24 A (Low Power)
--------------------	----------------------

Product Compliance

[For compliance documentation, visit the product page on TE.com>](#)

EU RoHS Directive 2011/65/EU	Compliant
EU ELV Directive 2000/53/EC	Compliant
China RoHS 2 Directive MIIT Order No 32, 2016	No Restricted Materials Above Threshold
EU REACH Regulation (EC) No. 1907/2006	Current ECHA Candidate List: JUNE 2022 (224) Candidate List Declared Against: JUNE 2022 (224) Does not contain REACH SVHC
Halogen Content	Low Halogen - Br, Cl, F, I < 900 ppm per homogenous material. Also BFR/CFR/PVC Free
Solder Process Capability	Not applicable for solder process capability

Product Compliance Disclaimer

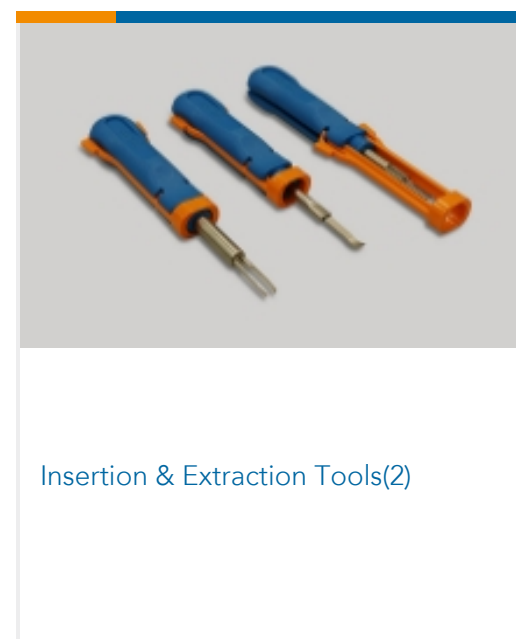
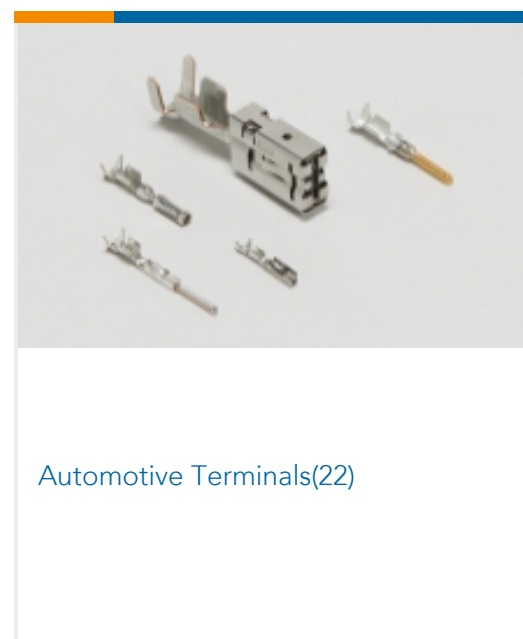
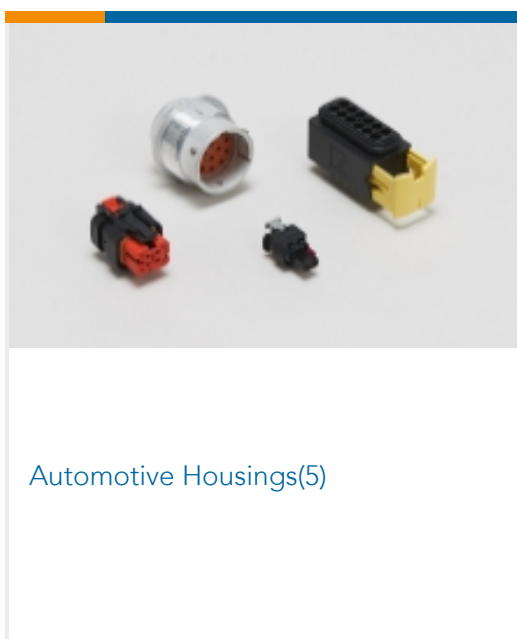
This information is provided based on reasonable inquiry of our suppliers and represents our current actual knowledge based on the information they provided. This information is subject to change. The part numbers that TE has identified as EU RoHS compliant have a maximum concentration of 0.1% by weight in homogenous materials for lead, hexavalent chromium, mercury, PBB, PBDE, DBP, BBP, DEHP, DIBP, and 0.01% for cadmium, or qualify for an exemption to these limits as defined in the Annexes of Directive 2011/65/EU (RoHS2). Finished electrical and electronic equipment products will be CE marked as required by Directive 2011/65/EU. Components may not be CE marked. Additionally, the part

numbers that TE has identified as EU ELV compliant have a maximum concentration of 0.1% by weight in homogenous materials for lead, hexavalent chromium, and mercury, and 0.01% for cadmium, or qualify for an exemption to these limits as defined in the Annexes of Directive 2000/53/EC (ELV). Regarding the REACH Regulation, the information TE provides on SVHC in articles for this part number is based on the latest European Chemicals Agency (ECHA) 'Guidance on requirements for substances in articles' posted at this URL: <https://echa.europa.eu/guidance-documents/guidance-on-reach>

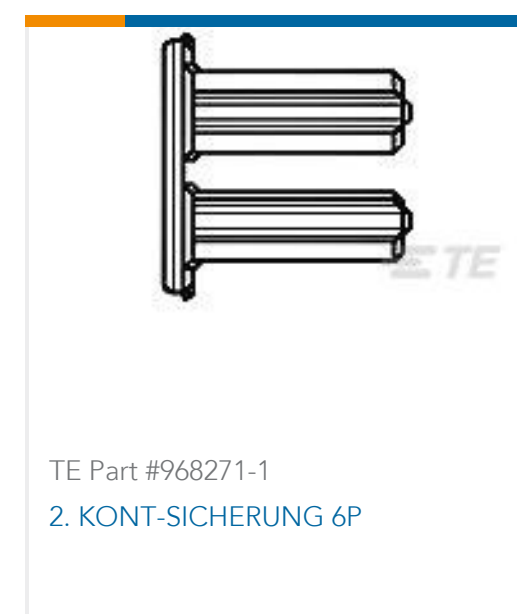
Compatible Parts



Also in the Series | Mark II



Customers Also Bought





TE Part #CH02926001
QSZH-125-NR1-50MM

Documents

Product Drawings

MIC MARKII RCPT CONTACT

English

CAD Files

Customer View Model

[ENG_CVM_281938-2_B.3d_igs.zip](#)

English

Customer View Model

[ENG_CVM_281938-2_B.3d_stp.zip](#)

English

Customer View Model

[ENG_CVM_281938-2_B.2d_dxf.zip](#)

English

3D PDF

English

By downloading the CAD file I accept and agree to the [Terms and Conditions](#) of use.

Product Specifications

Receptacle, MIC MK II

English

Application Specification

English

ET**Receptacle, MIC MK II

English

Application Specification

English