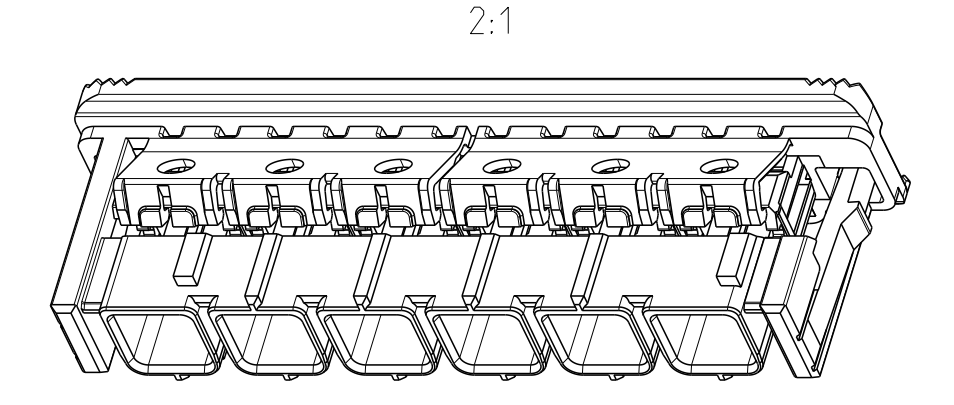
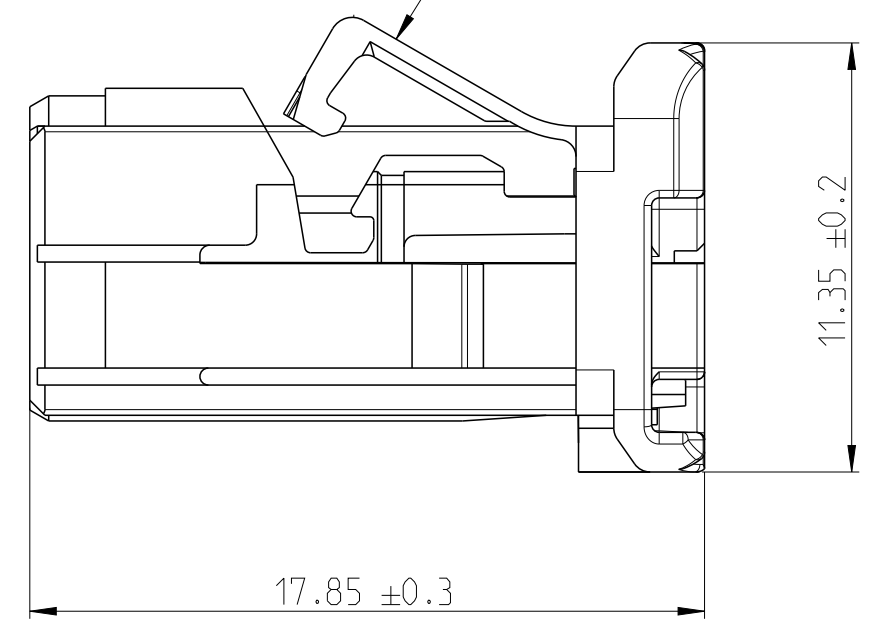
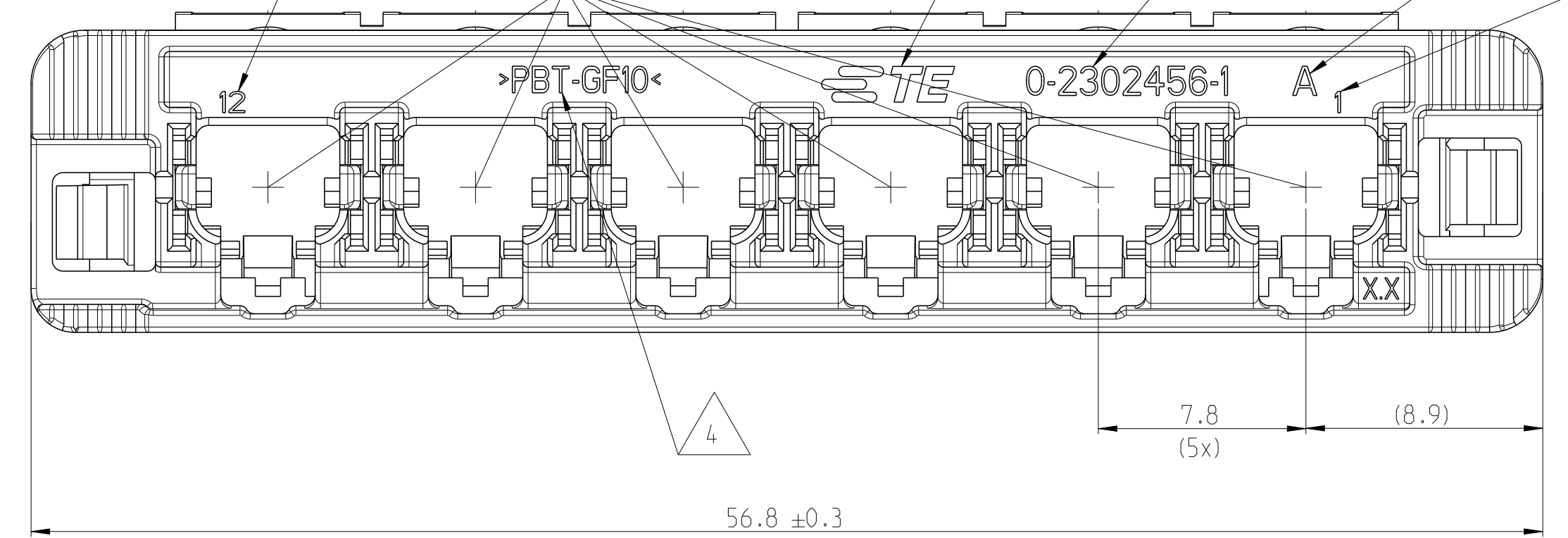
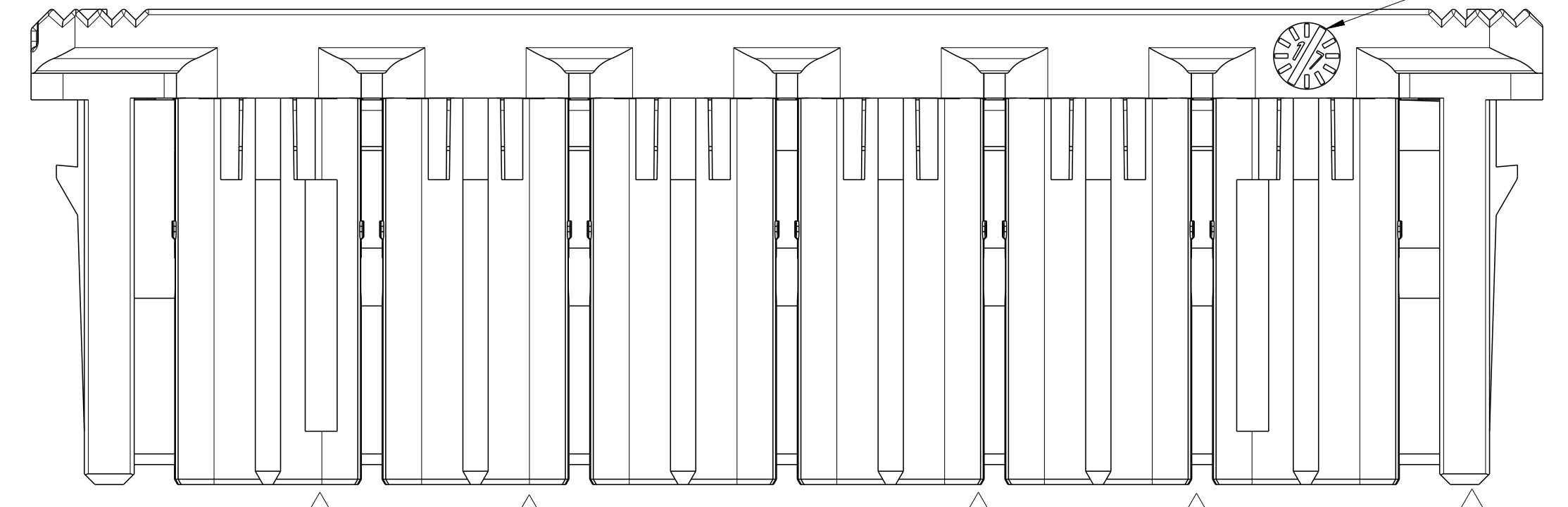
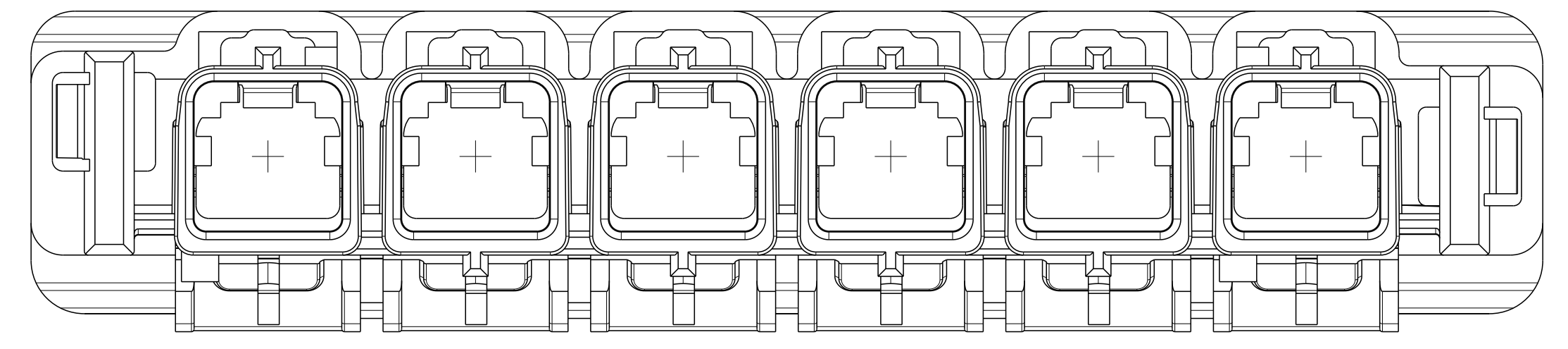
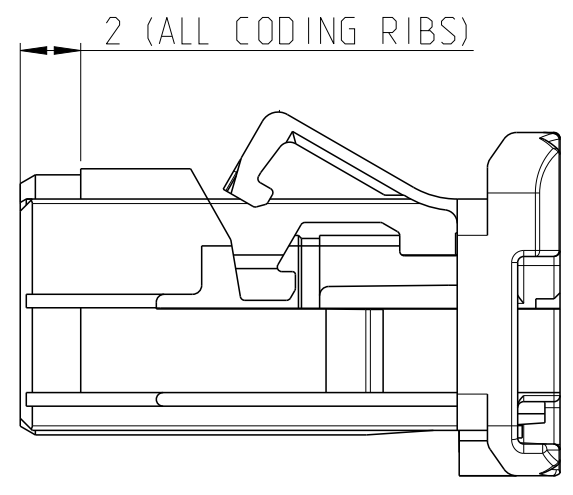
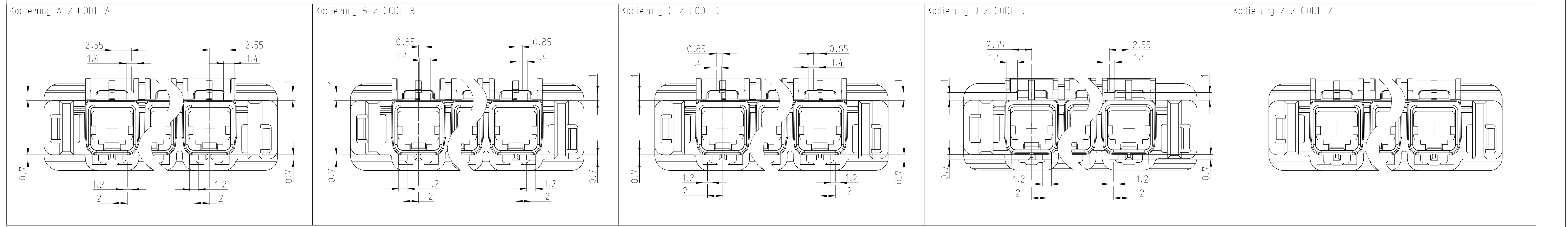
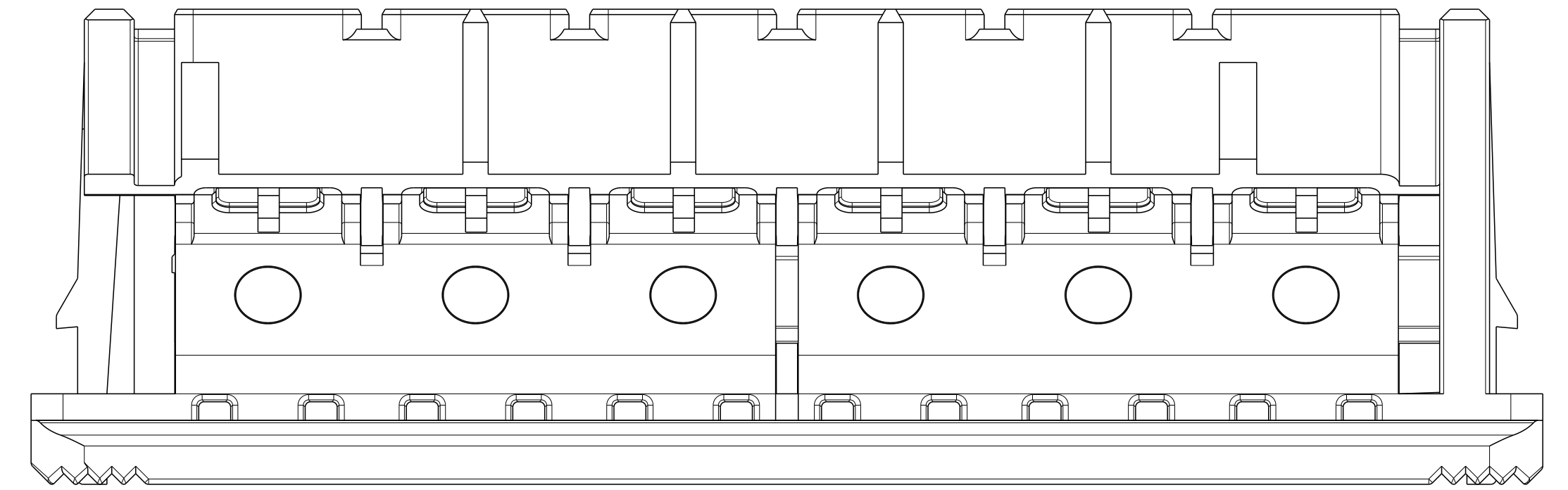
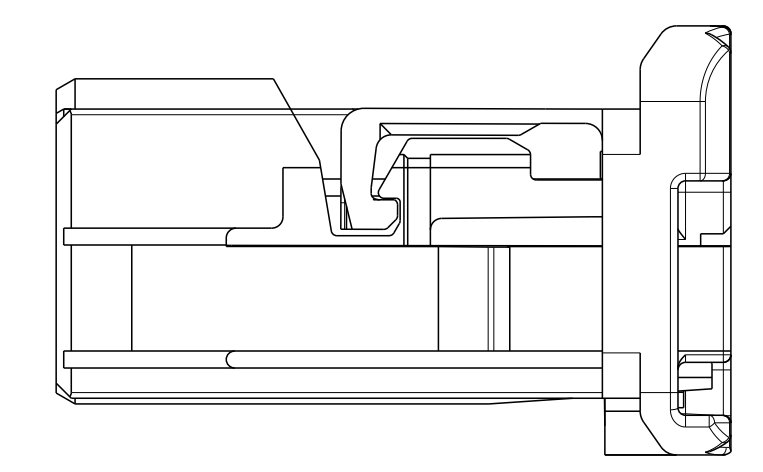


PROJEKT NR.:		REVISIONS ÄNDERUNGEN			
P.	LTR.	DESCRIPTION BESCHREIBUNG	DATE	DWN	APVD
A		NEW DRAWING	16AUG2016	KIJ	AK
B		E-16-016822 (STP-Contact-Spring Pockets added)	28NOV2016	KIJ	AK
B1		E-17-012393 (added serial parts)	25AUG2017	RW	AK



- Notizen / NOTES:
- 0-2302456-1 Kodierung A wie dargestellt
0-2302456-1 CODING A AS SHOWN
 - Passend zu Stiftwanne nach TE-Schnittstellenzeichnung 208-18011
MATING TO PINHEADER ACC. TE-INTERFACE DRAWING 208-18011
 - Kammer fuer MATEnet 2Pos. NanoMQS female Insert module TE-PN 0-2302450-X
CAVITY FOR MATEnet 2Pos. NanoMQS FEMALE INSERT MODULE TE-PN 0-2302450-X
 - Materialekennzeichnung
MATERIAL MARKING
 - TE-Logo
TE-LOGO
 - TE-Teile Nummer
TE-PART NUMBER
 - Revisionsstand
PART REVISION
 - Kontaktkammernummerierung
CONTACT CAVITY NUMBER
 - Produktionsdatum
PRODUCTION DATE
 - Anlieferungszustand: 2. Kontaktsicherung geöffnet
DELIVERY CONDITION: RETAINER IN OPEN POSITION
 - Verpackung: Schuetttgut im Beutel im Karton
PACKAGING: LOOSE PIECE IN BAG IN BOX

SHOWN IN END-LOCKED POSITION
 Darstellung in Endraststellung



CODE	PART No.	Rev.	DESCRIPTION	MATERIAL	WEIGHT [g]	COLOUR similar RAL
Z	0-2302456-9	A	6-Port MATenet Frame, CODE Z	PBT-GF10 0% regrind	3.9	WaterBlue 5021
J	0-2302456-7	A	6-Port MATenet Frame, CODE J		3.9	Beige 1001
C	0-2302456-3	A	6-Port MATenet Frame, CODE C		3.9	blue 5012
B	0-2302456-2	A	6-Port MATenet Frame, CODE B		3.9	white 9010
A	0-2302456-1	A	6-Port MATenet Frame, CODE A		3.9	Black 9011

THIS DRAWING IS A CONTROLLED DOCUMENT.

DIMENSIONS: MASSENHEITEN: mm

TOLERANCES UNLESS OTHERWISE SPECIFIED: ALLE DIMENSIONEN

0 PLC ±0.2
 1 PLC ±0.1
 2 PLC ±0.1
 3 PLC ±0.1
 4 PLC ±0.1
 ANGLES/WINKEL: °
 FINISH/BEARBEITUNGSART: see table

MATERIAL: see table

WEIGHT GEWICHT: see table

CUSTOMER DRAWING

DWN: J. KIESSWEITER 16AUG2016
 CHK: R. WUERKER 16AUG2016
 APVD: A. KETTLER 16AUG2016

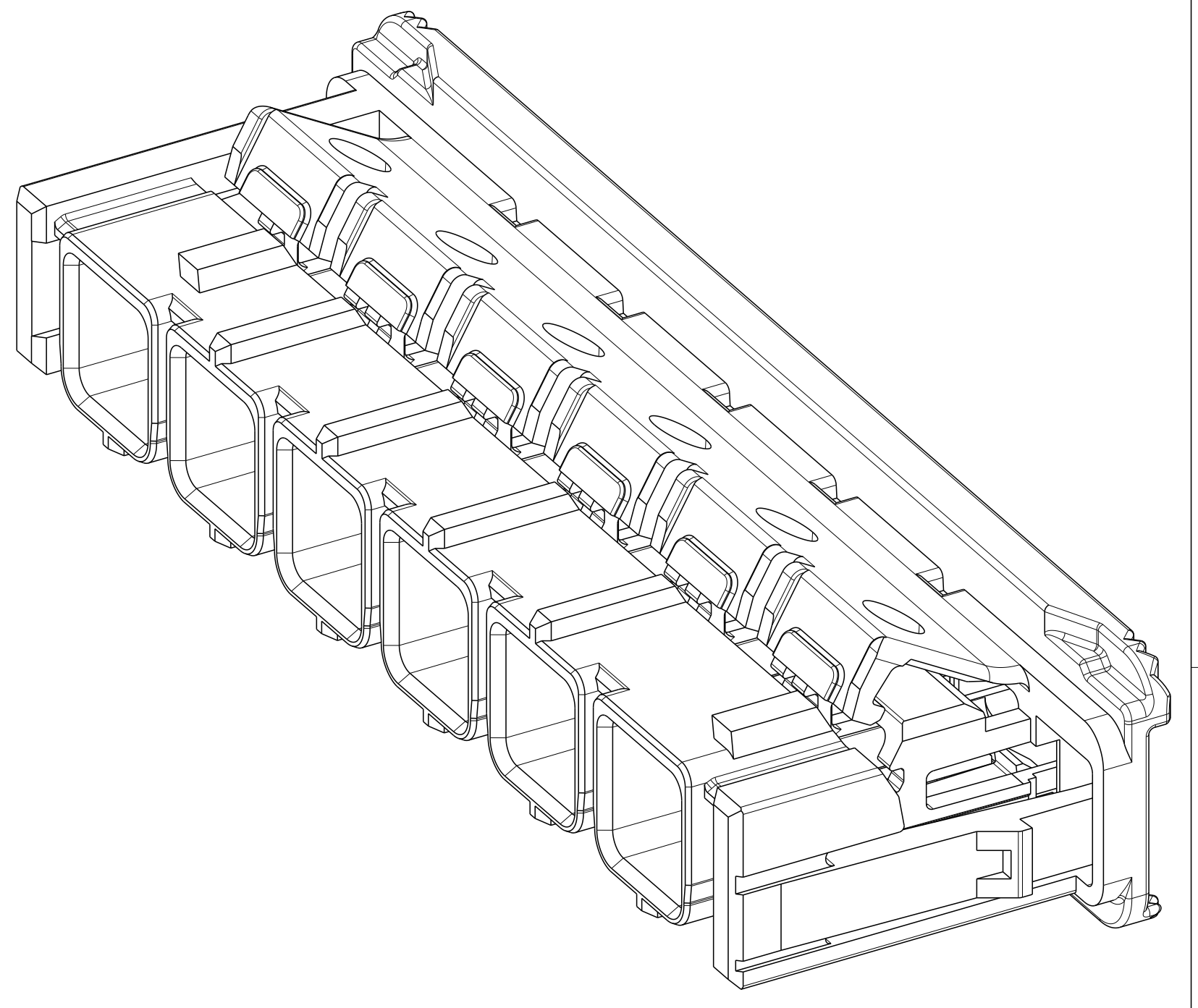
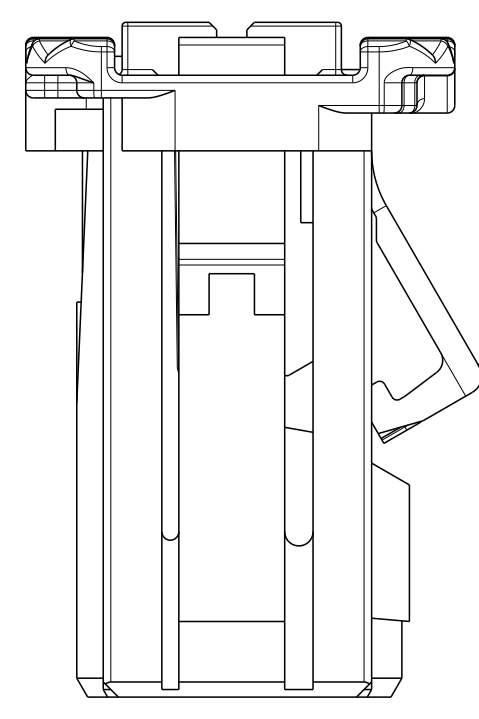
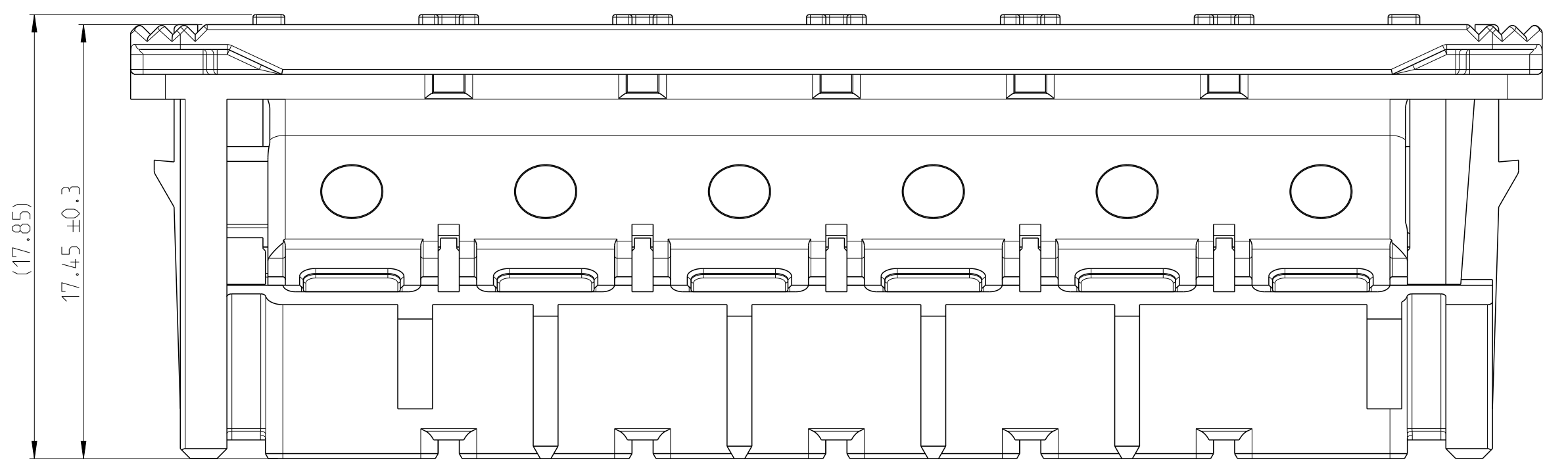
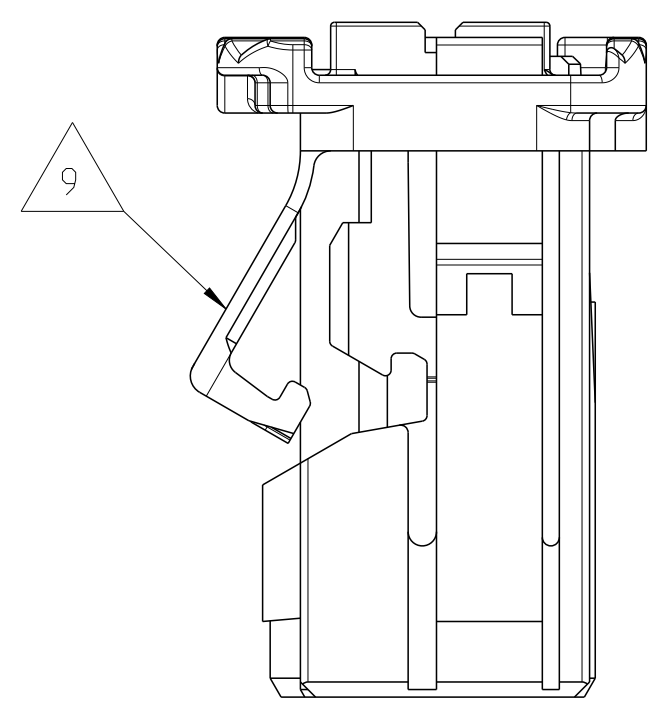
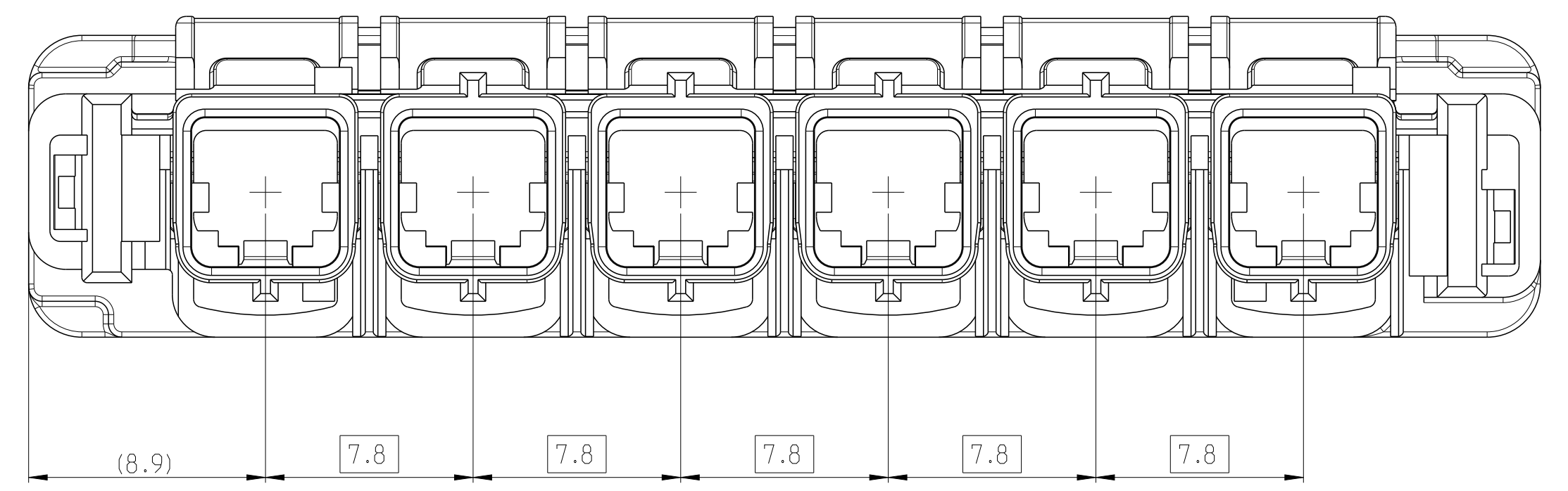
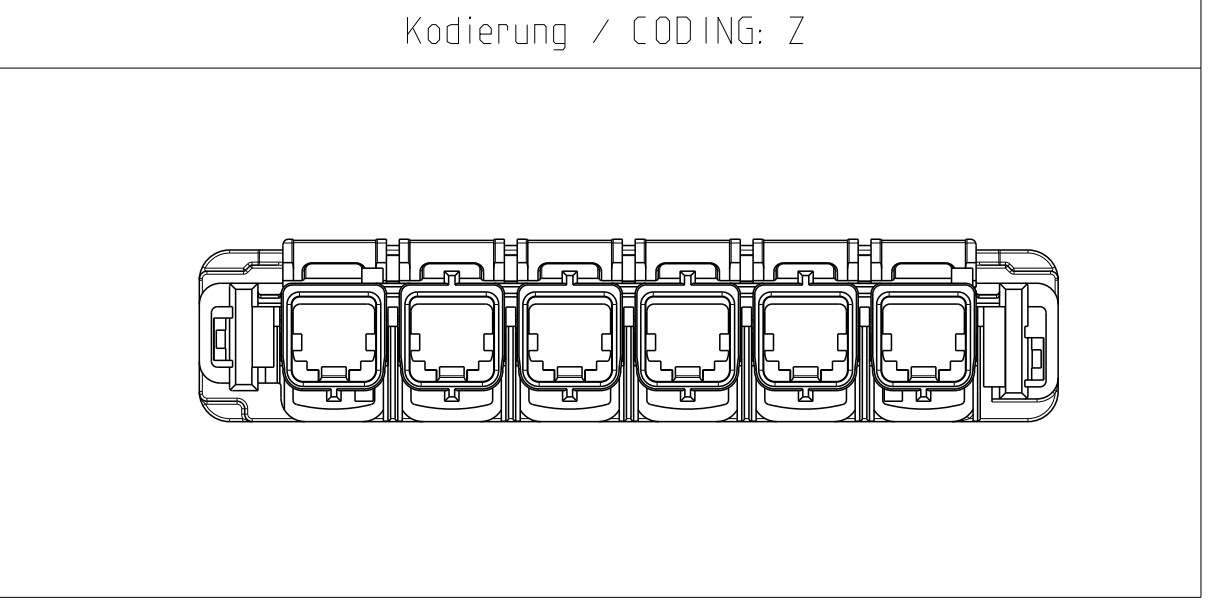
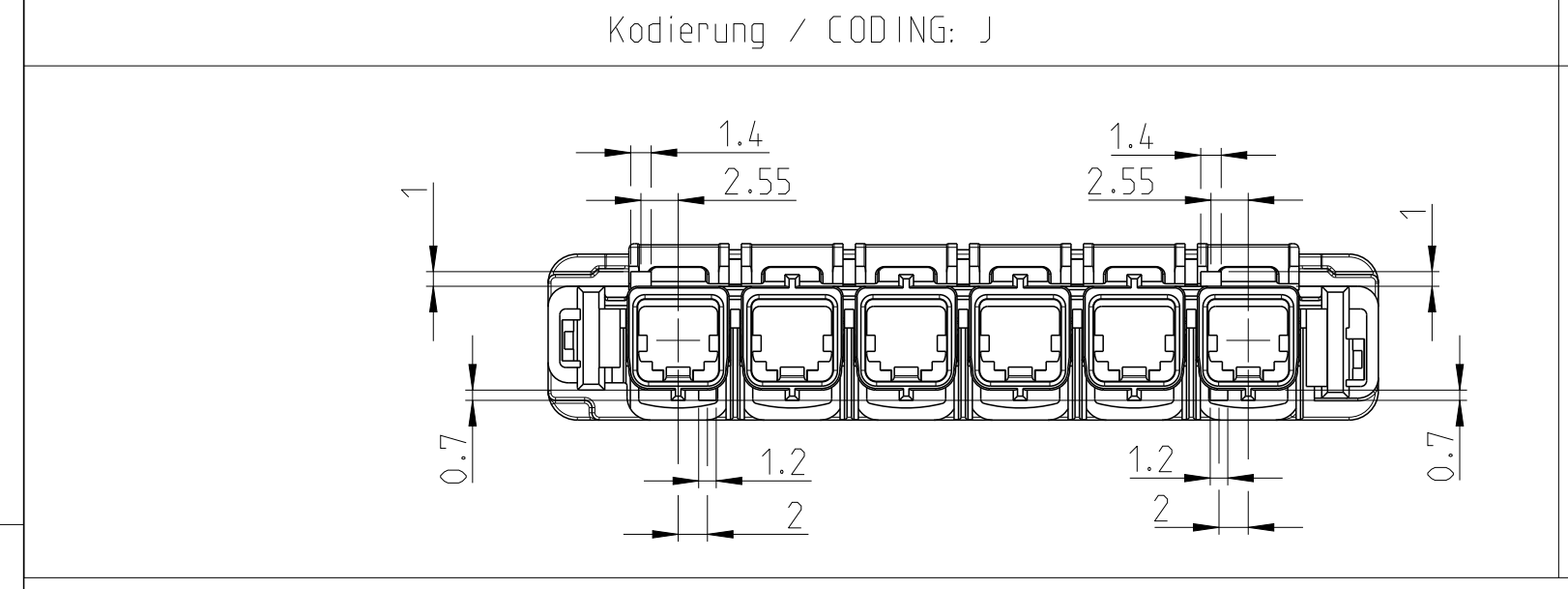
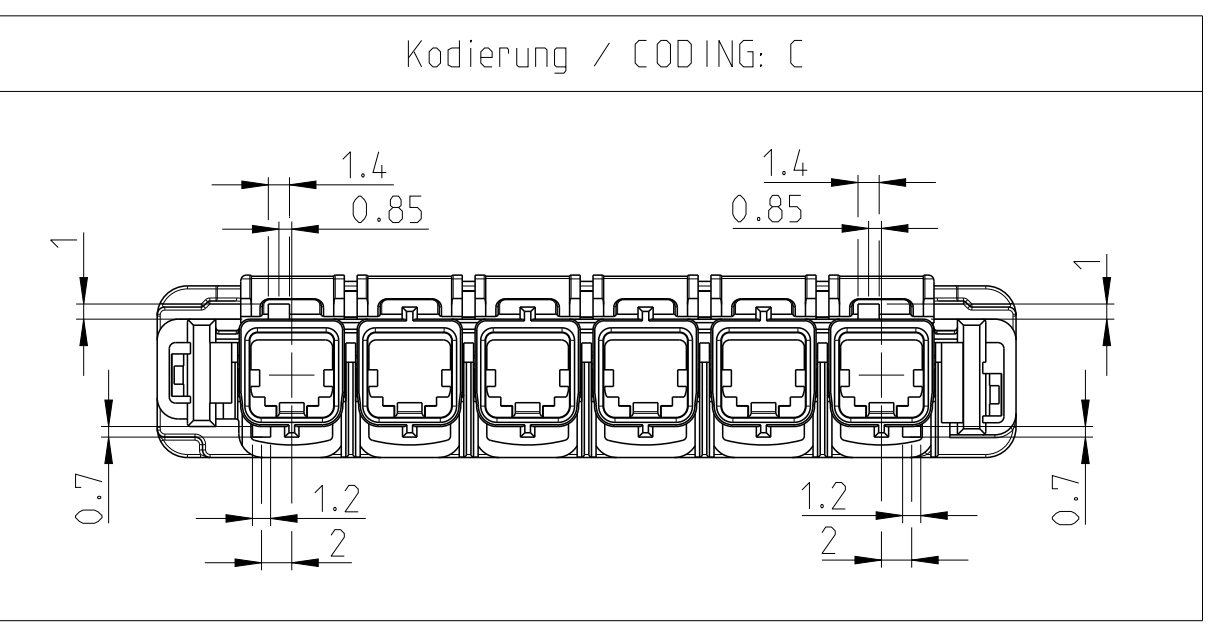
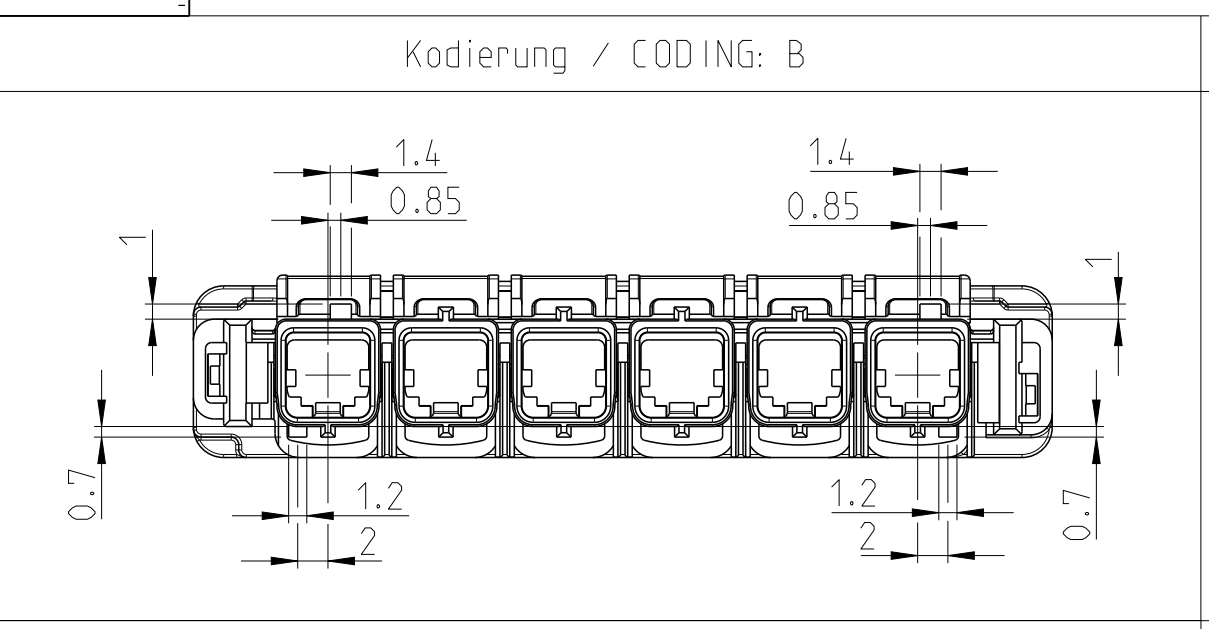
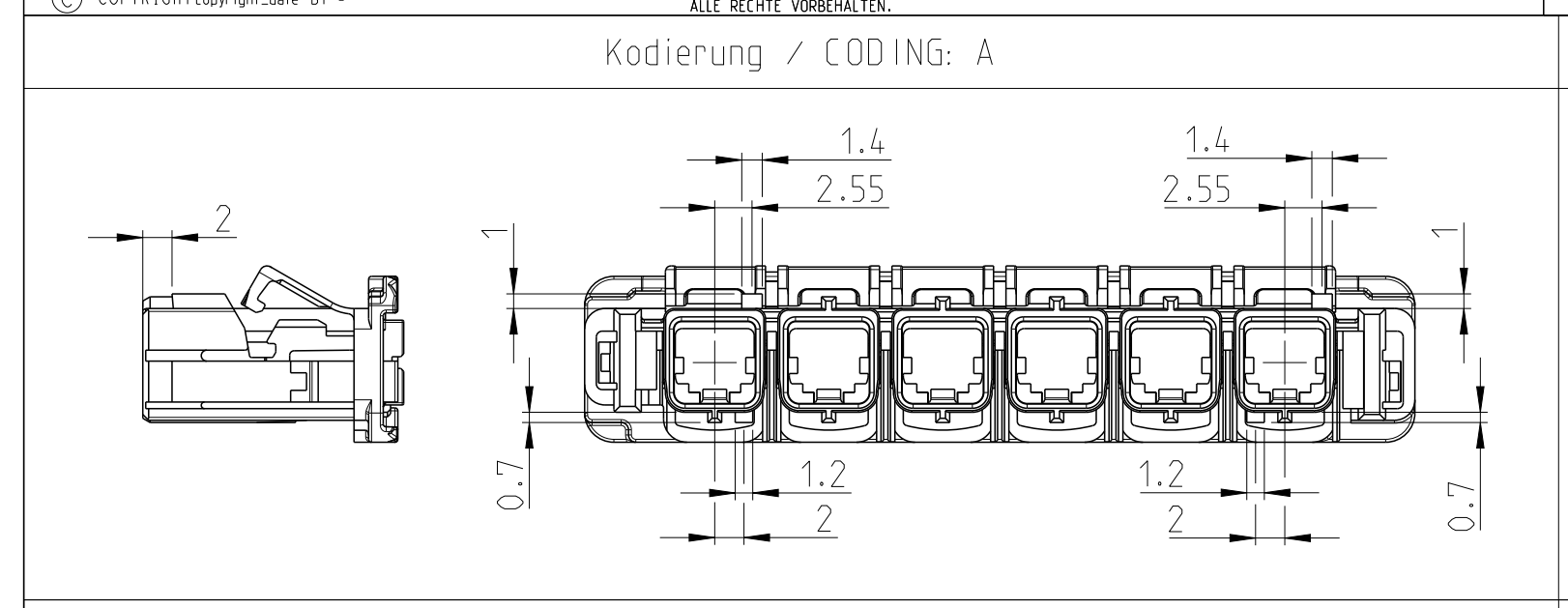
NAME: 6-Port MATenet Frame
 6-PORT MATenet FRAME

PRODUCT SPEC: 108-94568
 APPLICATION SPEC: 114-94431

SIZE: A1
 CAGE CODE: 00779
 DRAWING NO: 0-2302456

RESTRICTED TO NEW PUR: -

SCALE: MASSSTAB 5:1
 SHEET: 1 OF 2
 REV: B1



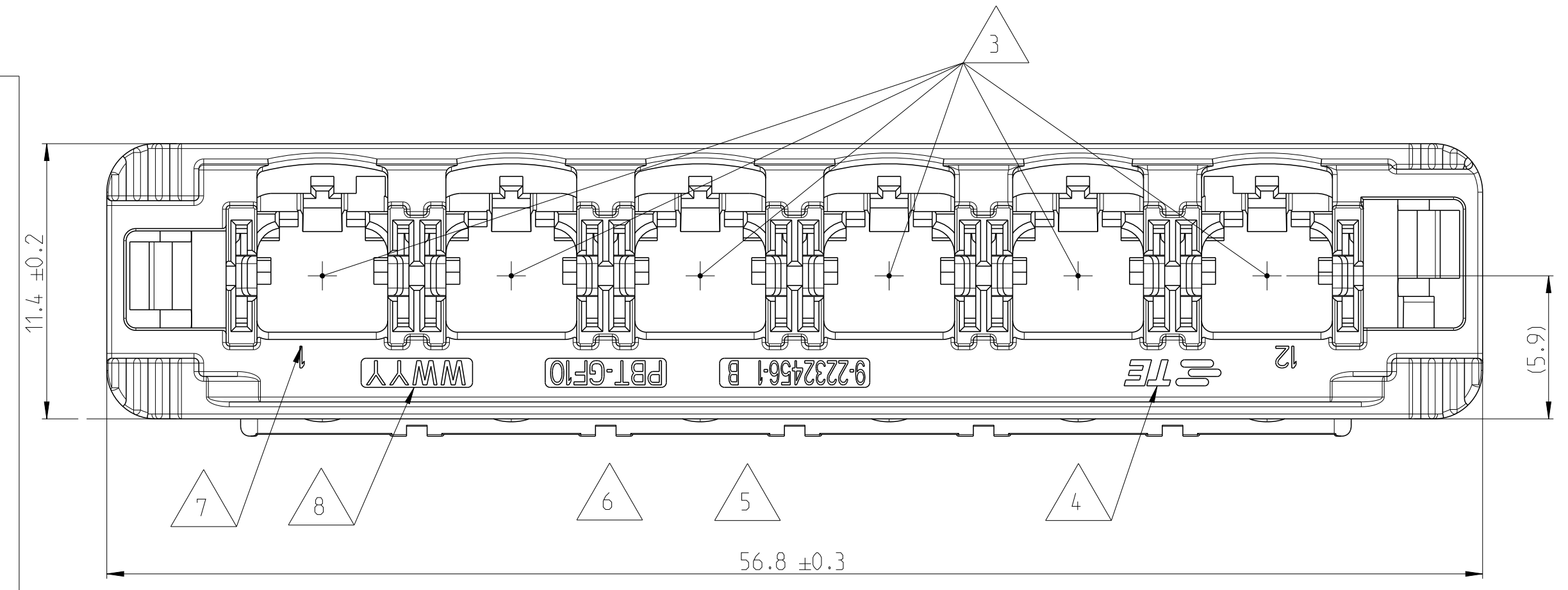
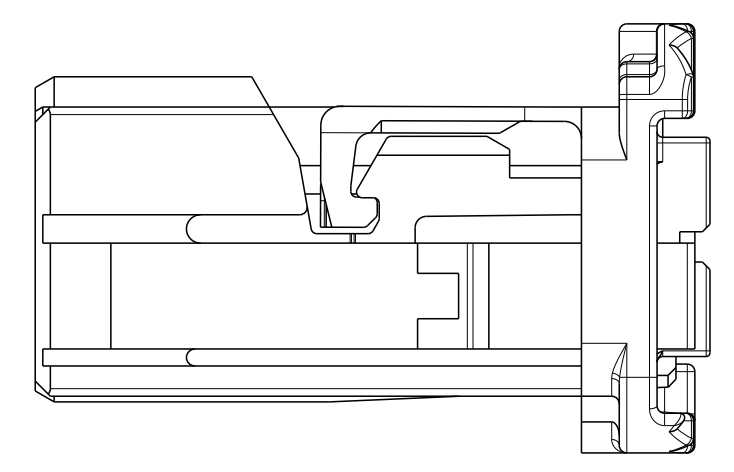
Notizen / NOTES:

- 1 9-2302456-1 Kodierung A wie dargestellt
9-2302456-1 CODING A AS SHOWN
- 2 Passend zu Stiftwanne nach TE-Schnittstellenzeichnung 208-18011
MATING TO PINHEADER ACC. TE-INTERFACE DRAWING 208-18011
- 3 Kammer fuer MATenet 2Pos. NanoMQS female Insert module TE-PN 9-2302450-X
CAVITY FOR MATenet 2Pos. NanoMQS FEMALE INSERT MODULE TE-PN 9-2302450-X
- 4 TE-Logo
TE-LOGO
- 5 TE-Teile Nummer
TE-PART NUMBER
- 6 Revisionsstand
PART REVISION
- 7 Kontaktkammernummerierung
CONTACT CAVITY NUMBER
- 8 Produktionsdatum
PRODUCTION DATE
- 9 Anlieferungszustand: 2. Kontaktsicherung geoeffnet
DELIVERY CONDITION: RETAINER IN OPEN POSITION
- 10 Verpackung: Schuetztgut im Beutel im Karton
PACKAGING: LOOSE PIECE IN BAG IN BOX

**B-MUSTER
 PROTOTYPE B-SAMPLES**

CODE	PART No.	Rev.	DESCRIPTION	MATERIAL	WEIGHT [g]	COLOUR similar RAL
Z	9-2302456-9	B	6-Port MATenet Frame, CODE Z	PBT-GF10 0% regrind	3.56	WaterBlue 5021
J	9-2302456-7	B	6-Port MATenet Frame, CODE J		3.60	Beige 1001
C	9-2302456-3	B	6-Port MATenet Frame, CODE C		3.60	blue 5012
B	9-2302456-2	B	6-Port MATenet Frame, CODE B		3.60	white 9010
A	9-2302456-1	B	6-Port MATenet Frame, CODE A		3.60	Black 9011
CODE	PART No.	Rev.	DESCRIPTION		MATERIAL	WEIGHT [g]

2. Kontaktsicherung geschlossen
 RETAINER CLOSED



THIS DRAWING IS A CONTROLLED DOCUMENT.		DWN: J. KIESSWEITER 16AUG2016 CHK: R. WUERKER 16AUG2016		TE Connectivity	
DIMENSIONS: MASSENHEITEN: mm		TOLERANCES UNLESS OTHERWISE SPECIFIED: ALLE DIMENSIONEN		NAME: 6-Port MATenet Frame 6-PORT MATenet FRAME	
MATERIAL: see table		FINISH/SCHLEIFLÄCHE/FARBE: see table		SIZE: A1 CAGE CODE: 00779 DRAWING NO: 9-2302456	
REVISIONS: SEE SHEET 1		WEIGHT: see table		RESTRICTED TO: NR FUER	
CUSTOMER DRAWING		KUNDENZEICHNUNG		SCALE: 1:1 SHEET 2 OF 2 REV: B1	