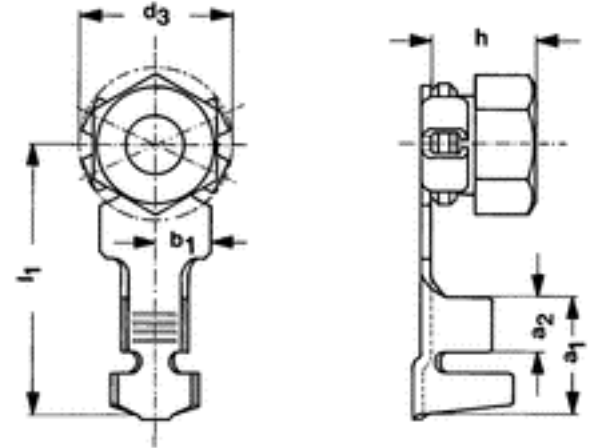




Characteristics and dimensions of terminals

Part number	26738.122.179
Specification	Claw terminal for M6 screw connection
Material	CuZn
Surface / Colour	frSn 3
Form	Chain form
Transport	Normal transverse transport
Assembly	X
Packing unit / piece	3900
Section area (mm ²)	1.50-2.50
Nominal size	M6-2.5
Material thickness (mm)	0.80
a ₁	9.00
a ₂	4.50
b ₁	4.50
d ₃	12.00
h	8.50
l ₁	22.00



Note: The drawing only gives an overview of the geometry of the part. The crimp area is shown as supplied in strip form. A technical drawing is available on request.

Part list		
Specification	Material	Surface / Colour
Hexagonal screw M6	SMnPb	Cu 4 Sn 11
Claw terminal	CuZn	frSn 3

[Contents of your inquiry](#)

Packing Units (per 3900 pieces)

CW