



AMP | Standard Power Timer

TE Internal #: 282533-2

Housing for Female Terminals, Wire-to-Board / Wire-to-Device, 1 Position, Black, Power, Cable Mount (Free-Hanging), Standard Power Timer

[View on TE.com >](#)

Connectors > Automotive Connectors > Connector Housings > TIMER, CONNECTOR HOUSING



Connector & Housing Type: **Housing for Female Terminals**

Mating Tab Width: **6.3 mm [.248 in]**

Connector System: **Wire-to-Board, Wire-to-Device**

Number of Positions: **1**

Sealable: **No**

[All TIMER, CONNECTOR HOUSING \(543\)](#)

Features

Product Type Features

Connector & Housing Shape	Rectangular
Connector & Housing Type	Housing for Female Terminals
Connector System	Wire-to-Board, Wire-to-Device
Sealable	No
Hybrid Connector	No
Primary Locking Feature	Integrated in Housing

Configuration Features

Number of Positions	1
Number of Rows	1

Electrical Characteristics

Operating Voltage	24 VDC
Nominal Voltage Architecture	12 V, 24 V

Body Features

Cable Exit Angle	180°
Body Material	PA
Primary Product Color	Black

Contact Features

Contact Size	6.3mm
Contact Type	Receptacle
Mating Tab Width	6.3 mm[.248 in]

Mechanical Attachment

Mounting Feature	Without
Terminal Position Assurance	Yes
Strain Relief	Without
Mating Alignment Type	Polarized
Mating Alignment	With
Connector Mounting Type	Cable Mount (Free-Hanging)

Dimensions

Product Width	23.6 mm[.929 in]
Product Length	26.2 mm[1.031 in]
Product Height	23.6 mm[.929 in]

Usage Conditions

Operating Temperature (Max)	70 °C, 75 °C, 80 °C, 85 °C, 90 °C, 100 °C, 105 °C[158 °F][167 °F][176 °F][185 °F][194 °F][212 °F][221 °F]
Operating Temperature Range	-30 – 105 °C[-22 – 221 °F]

Operation/Application

Circuit Application	Power
---------------------	-------

Packaging Features

Packaging Quantity	4500
Packaging Method	Box

Other

Serviceable	No
Connector Position Assurance Capable	No

Product Compliance

[For compliance documentation, visit the product page on TE.com>](#)

EU RoHS Directive 2011/65/EU	Compliant
EU ELV Directive 2000/53/EC	Compliant
China RoHS 2 Directive MIIT Order No 32, 2016	No Restricted Materials Above Threshold
EU REACH Regulation (EC) No. 1907/2006	Current ECHA Candidate List: JUNE 2022 (224) Candidate List Declared Against: JUNE 2022 (224) Does not contain REACH SVHC
Halogen Content	Low Halogen - Br, Cl, F, I < 900 ppm per homogenous material. Also BFR/CFR/PVC Free
Solder Process Capability	Not applicable for solder process capability

Product Compliance Disclaimer

This information is provided based on reasonable inquiry of our suppliers and represents our current actual knowledge based on the information they provided. This information is subject to change. The part numbers that TE has identified as EU RoHS compliant have a maximum concentration of 0.1% by weight in homogenous materials for lead, hexavalent chromium, mercury, PBB, PBDE, DBP, BBP, DEHP, DIBP, and 0.01% for cadmium, or qualify for an exemption to these limits as defined in the Annexes of Directive 2011/65/EU (RoHS2). Finished electrical and electronic equipment products will be CE marked as required by Directive 2011/65/EU. Components may not be CE marked. Additionally, the part numbers that TE has identified as EU ELV compliant have a maximum concentration of 0.1% by weight in homogenous materials for lead, hexavalent chromium, and mercury, and 0.01% for cadmium, or qualify for an exemption to these limits as defined in the Annexes of Directive 2000/53/EC (ELV). Regarding the REACH Regulation, the information TE provides on SVHC in articles for this part number is based on the latest European Chemicals Agency (ECHA) 'Guidance on requirements for substances in articles' posted at this URL: <https://echa.europa.eu/guidance-documents/guidance-on-reach>

Compatible Parts



Also in the Series | [Standard Power Timer](#)



Automotive Housings(31)



Automotive Terminals(54)



Busbars & Terminals(3)



Insertion & Extraction Tools(1)



Module Components(8)

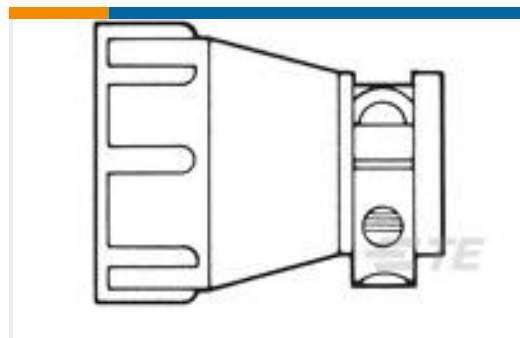
Customers Also Bought



TE Part #184046-1
4 POS. PLUG ASSY, KEY A



TE Part #1544316-1
JOINT VERT G2



TE Part #1-206062-5
CABLE CLAMP KIT, BULK PKG



TE Part #963709-2
SPT REC 6.3 Contact SRC Sn



TE Part #1544332-1
LANGUETTE 8MM NG1



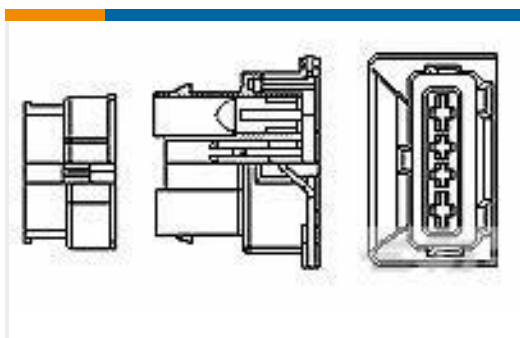
TE Part #1544334-2
PL 2V 8MM NG1 MONT



TE Part #493577-1
ASSY 10 WAY JPT REC



TE Part #880622-1
TERMINAL REC. , SPECIAL TAB



TE Part #881730-1
4W JR/STD P.TIMER S



TE Part #880250-1
ALTERNATOR CONNECTOR

Documents



Product Drawings

1 POS S.P.T.CONN. HSG BLACK

English

CAD Files

3D PDF

3D

Customer View Model

ENG_CVM_CVM_282533-2_A.2d_dxf.zip

English

Customer View Model

ENG_CVM_CVM_282533-2_A.3d_igs.zip

English

Customer View Model

ENG_CVM_CVM_282533-2_A.3d_stp.zip

English

By downloading the CAD file I accept and agree to the [Terms and Conditions](#) of use.

Datasheets & Catalog Pages

Timer Interconnection System

English

Product Specifications

1 Pos Standard Power Timer Female Connector

English

Product Specification

English

Instruction Sheets

1 POSITION SPT FEMALE CONNECTOR HOUSING AMP P/N 282533-1 (neutro) AMP P/N 282533-2 (nero)

English

Instruction Sheet (non U.S.)

English
