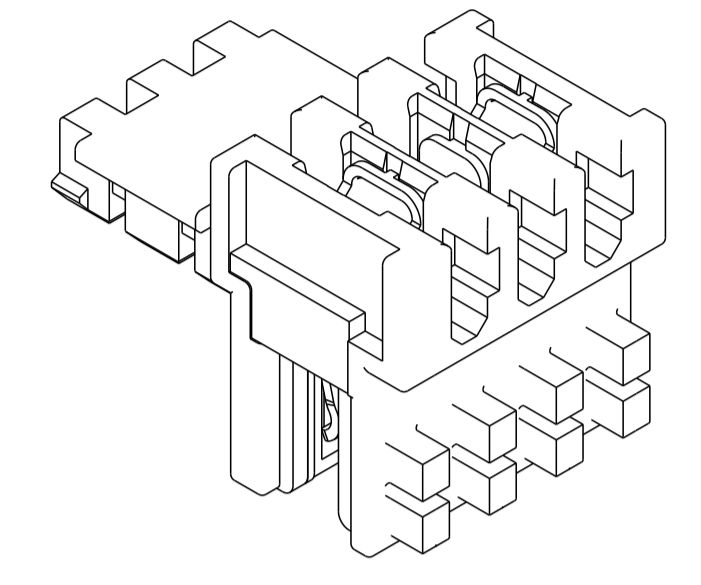
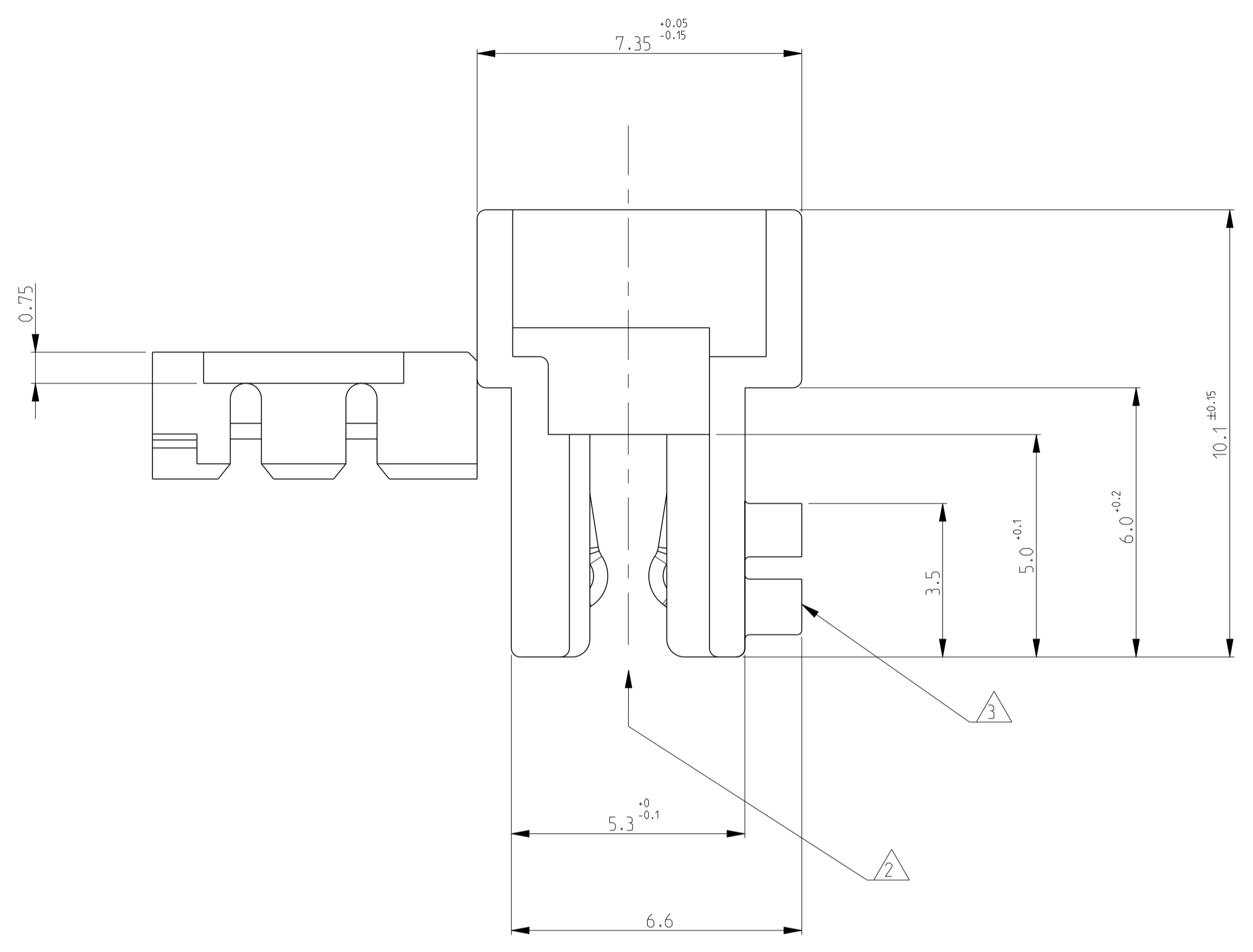
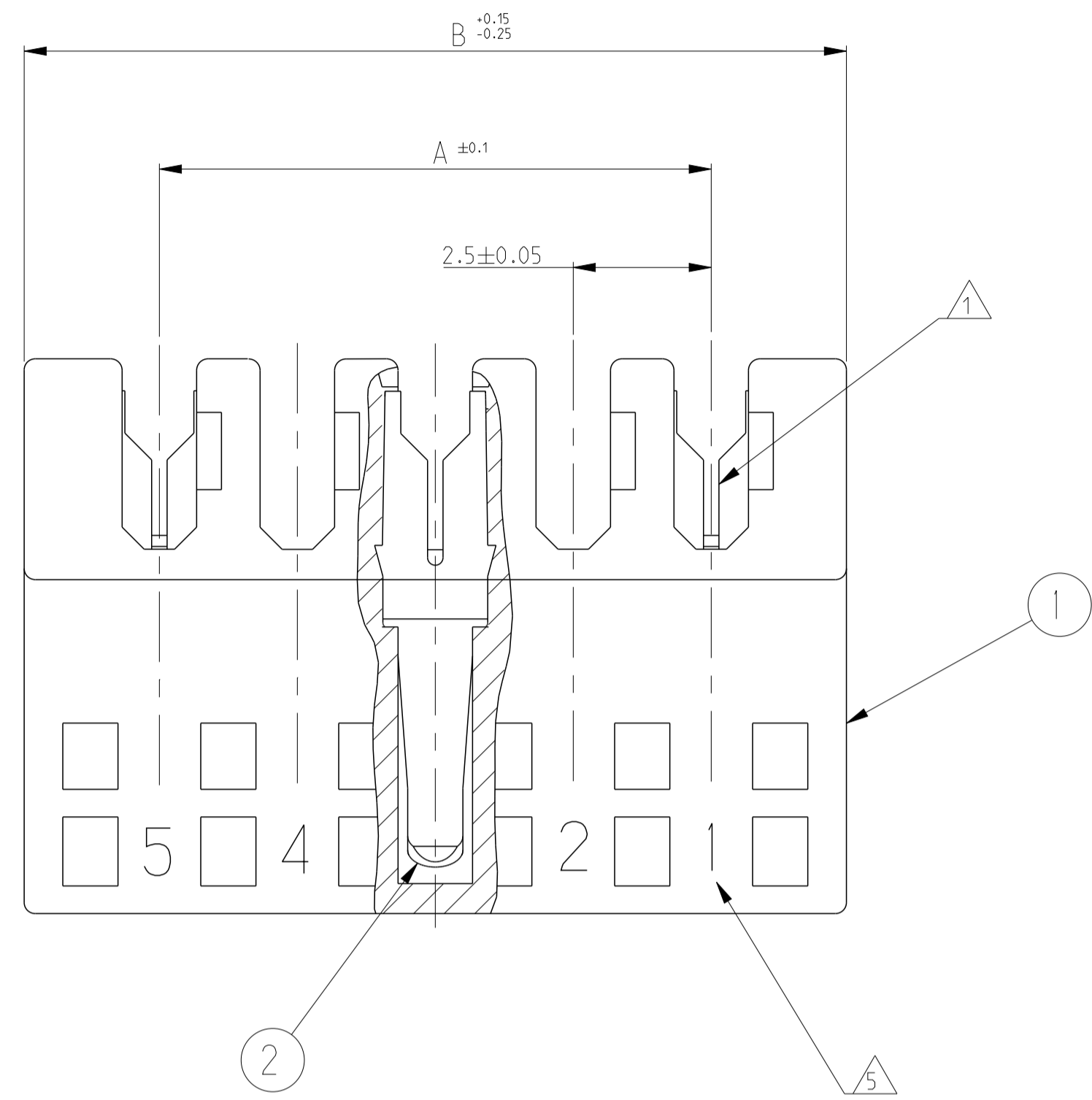
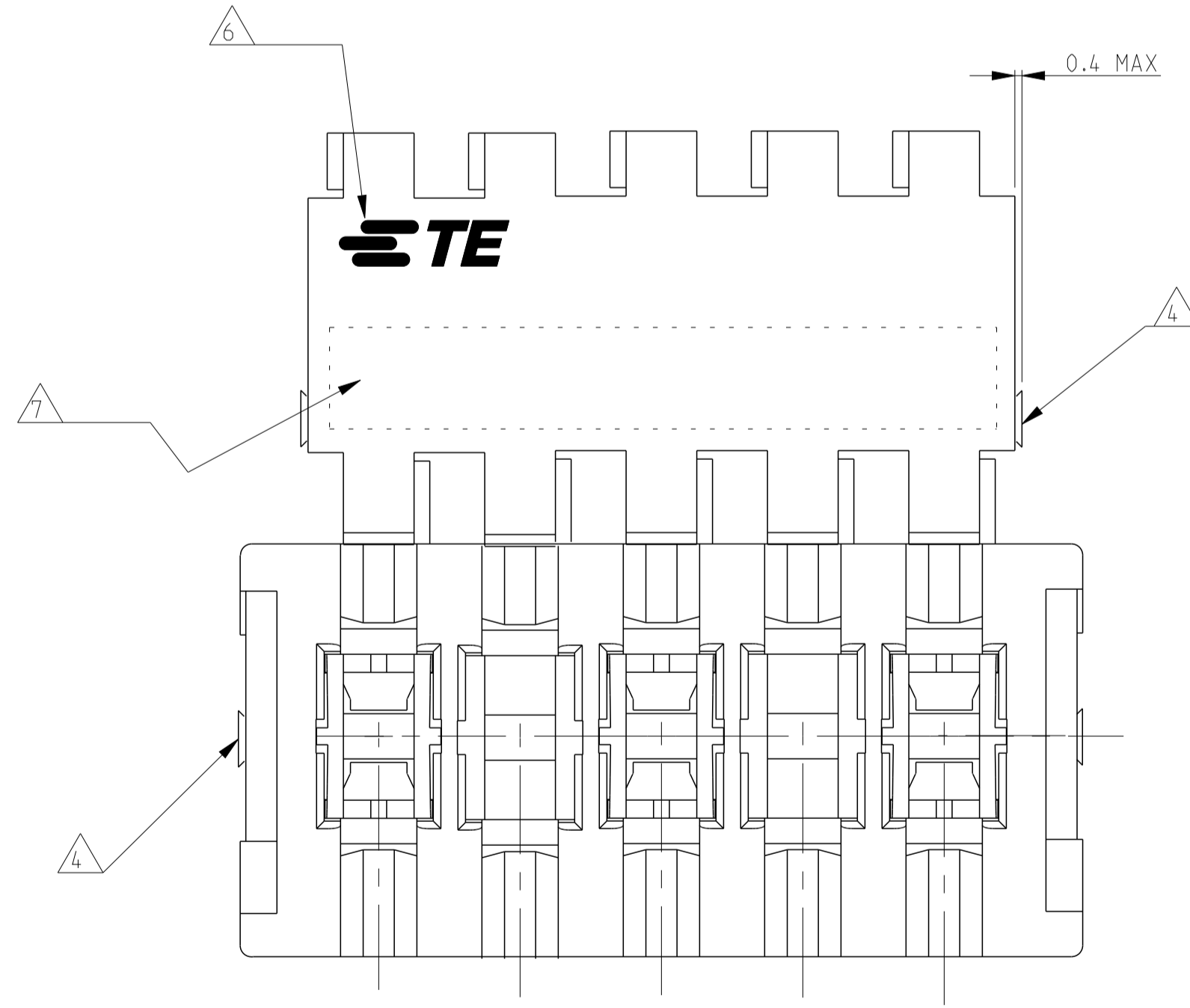


LOC		DIST		REVISIONS			
P	LTN	DESCRIPTION	DATE	DMN	APVD		
A18	ECR-16-003426		07Apr2016	SL	RR		
A19	ECR-16-003755		24MAY2016	KD	RR		
A20	ECR-16-016334		18NOV2016	FV	RR		
A21	ECR-17-009651		19JUL2017	RS	DC		



3D VIEW FOR REF. ONLY
 3 POS. PN 0-284931-3 AS SHOWN
 SCALE 5:1



- 1 WIRE RANGE : STRANDED 0.22-0.35 mm² (INS. DIA. 1.30±0.1)
- 2 MATING PART: TAB HEADER P/N 829866;
PCB FRAME P/N 964575 (PCB THK 1.5±0.14 COPPER CLADDING INCLUDED)
SEE PRODUCT SPEC. 108-18056 FOR FRAME APPLICATION
- 3 KEYING RIBS TO BE REMOVED BY TERMINATION MACHINE
- 4 CUT OFF DIMENSION DUE TO PRODUCTION PROCESS
- 5 CIRCUIT No. IDENTIFICATION
- 6 TE TRADEMARK (OPTIONAL POSITION)
- 7 TAMPOGRAPHIC COLOUR CODE AREA (P/Ns IDENTIFICATION BEFORE CRIMPING)
- 8 PRELIMINARY PART NOT YET RELEASED FOR PRODUCTION
- 9 PBT GF
- 10 PBT GF. UL94-V0 & GWEPT 750 NO-FLAME. NATURAL

P/N 0-284931-5 AS SHOWN

COLOUR CODE	CONTACT LOADING	HSG POS.	KEYING	DIM.A	DIM.B	TE P/N	REV
BLUE	SELECTIVELY 1,2,3,4,5,6,7,8,9,10,11,13	13	2/3	30.0	34.9	1-284931-3	2311506-3
BLUE	SELECTIVELY 1,3,5,7,9,11	11	-	25.0	29.9	1-284931-1	2-2311506-1
BLUE	SELECTIVELY 1,3,5,7,8,10	10	-	22.5	27.4	1-284931-0	1-2311505-0
GREEN	SELECTIVELY 1,3,4,6,7,8,9	9	-	20.0	24.9	2-284931-9	3-2311505-9
BLUE	SELECTIVELY 1,2,4,6,7,9	9	-	20.0	24.9	0-284931-9	2-2311505-9
GREEN	SELECTIVELY 1,3,4,6,7,8	8	-	17.5	22.4	2-284931-8	1-2311505-8
BLUE	SELECTIVELY 1,2,3,5,6,8	8	-	17.5	22.4	0-284931-8	2311505-8
GREEN	SELECTIVELY 1,3,5,6,7	7	-	15.0	19.9	2-284931-7	2-2311505-7
BLUE	SELECTIVELY 1,3,5,7	7	-	15.0	19.9	0-284931-7	1-2311505-7
BLUE	SELECTIVELY 1,2,4,6	6	-	12.5	17.4	1-284931-6	2-2311505-6
RED	SELECTIVELY 1,3,4,6	6	-	12.5	17.4	0-284931-6	1-2311505-6
GREEN	SELECTIVELY 1,2,3,5					4-284931-5	4-2311505-5
RED	SELECTIVELY 1,5					3-284931-5	3-2311505-5
-	SELECTIVELY 1,3,5	5	-	10.0	14.9	2-284931-5	2-2311505-5
OBSOLETED	SELECTIVELY 1,3,5					0-284931-5	-
RED	SELECTIVELY 1,3		2/3			5-284931-3	5-2311505-3
BROWN	SELECTIVELY 1,3					4-284931-3	4-2311505-3
GREEN	SELECTIVELY 1,3	3	-	5.0	9.9	3-284931-3	3-2311505-3
-	SELECTIVELY 1,3					2-284931-3	2-2311505-3
BLUE	SELECTIVELY 1,3					0-284931-3	1-2311505-3

-		-		THIS DRAWING IS A CONTROLLED DOCUMENT.		DMN R. FABRIS 27/FEB2004		TE Connectivity	
SEE TABLE	PH. BRONZE, TIN PLATED	IDC RECEPTACLE CONTACT	2	DIMENSIONS: mm	TOLERANCES UNLESS OTHERWISE SPECIFIED:	APVD G. TURCO 27/FEB2004	DUOPLUG 2.5 FEMALE CONNECTOR STANDARD VERSION (SELECTIVELY LOADED)		
Q.TY	MATERIAL	DESCRIPTION	ITEM	0 PLC ±0.2 1 PLC ±0.2 2 PLC ±0.2 3 PLC ±0.2 4 PLC ±0.2 ANGLES ±°		PRODUCT SPEC 108-18056	SIZE	CAGE CODE	DRAWING NO
1				MATERIAL SEE TABLE		APPLICATION SPEC 116-18049-1	A1	00779	284931
0.24 PER ASSEMBLY REQ'D PER ASSY		REVISIONE DELL'ASSEMBLATO (REVISION OF EACH ASSY NO)		ELENCO DEI COMPONENTI (PARTS LIST)		RESTRICTED TO	SCALE 2:1 SHEET 1 OF 1 REV A21		