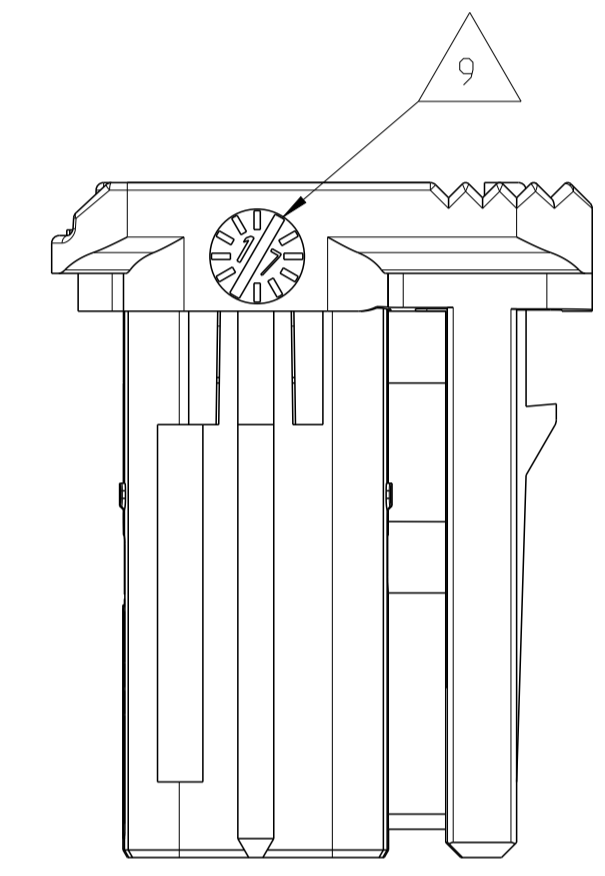
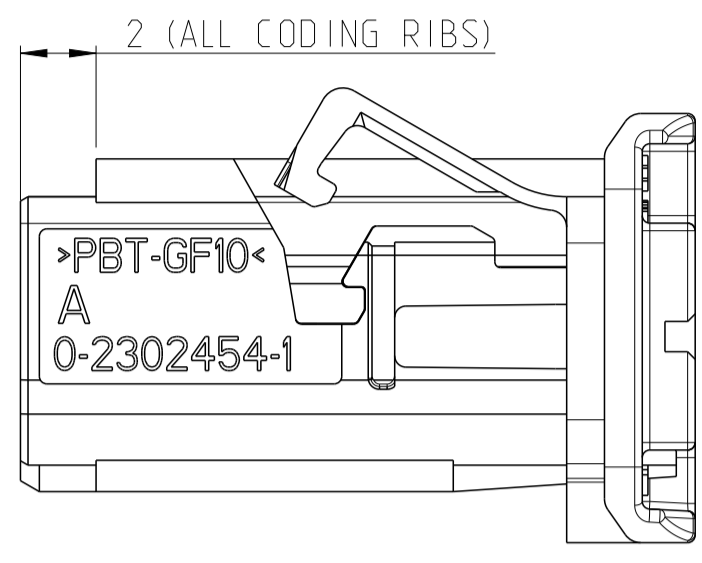
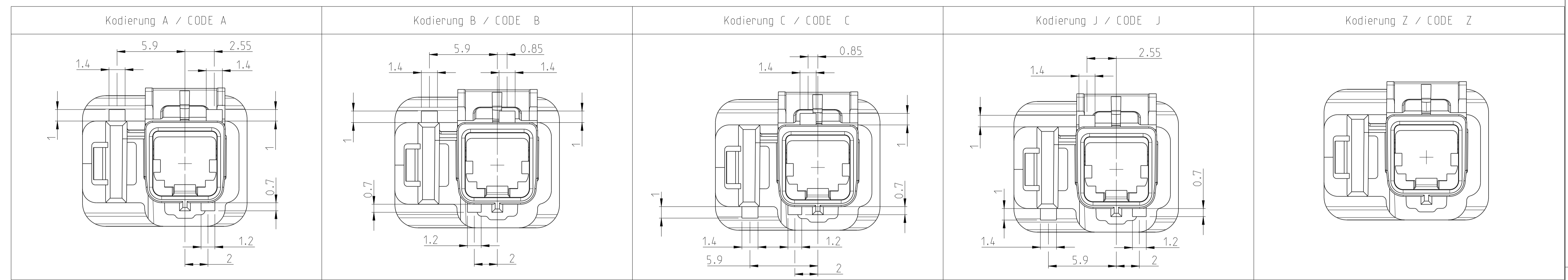
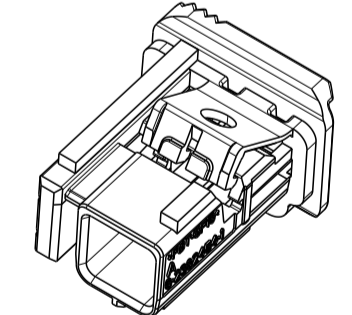
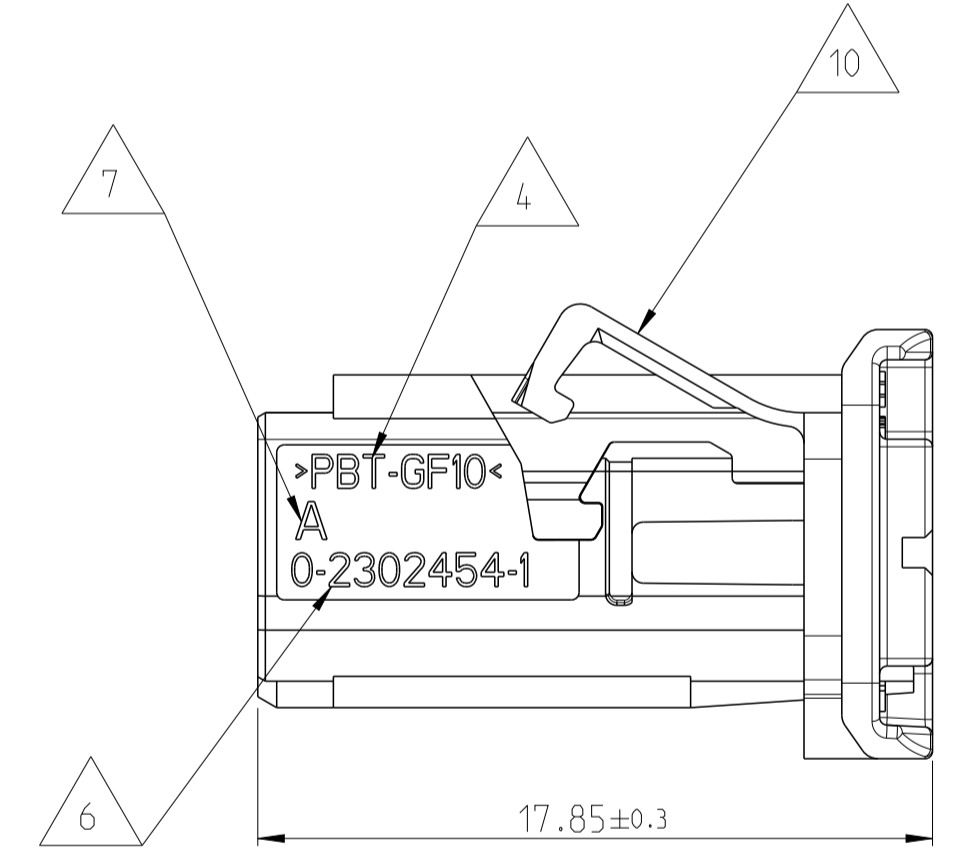
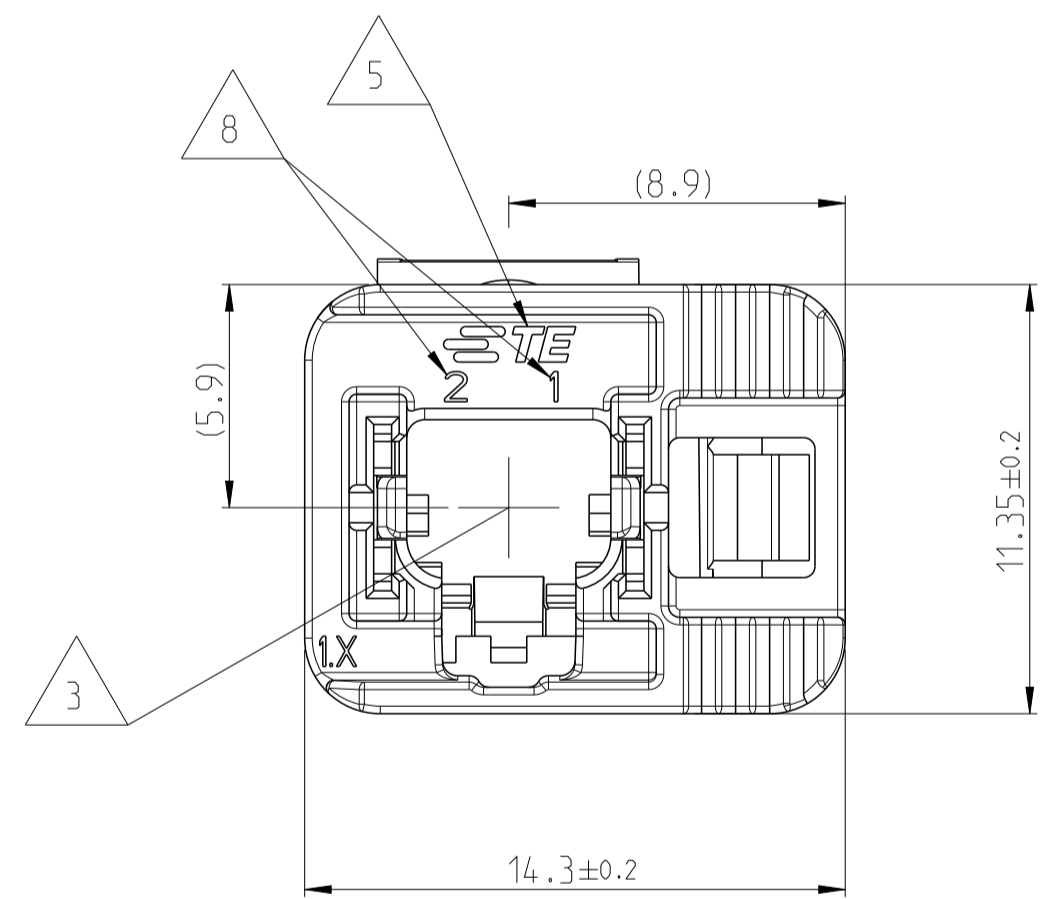
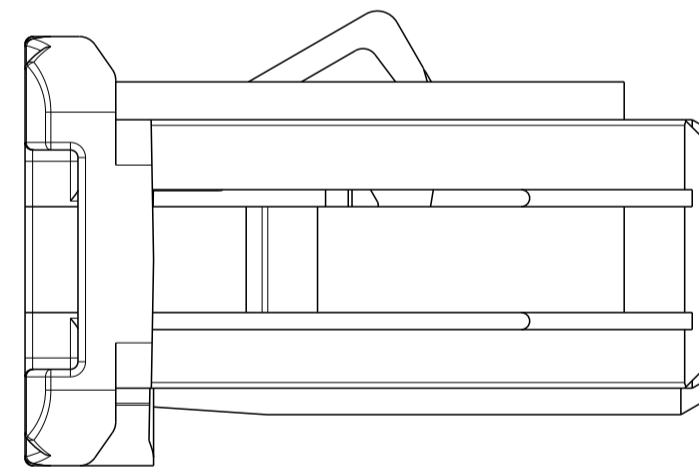


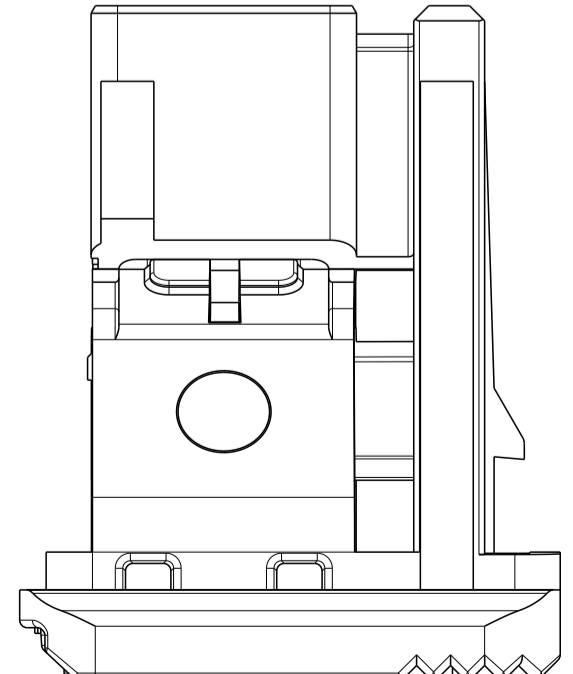
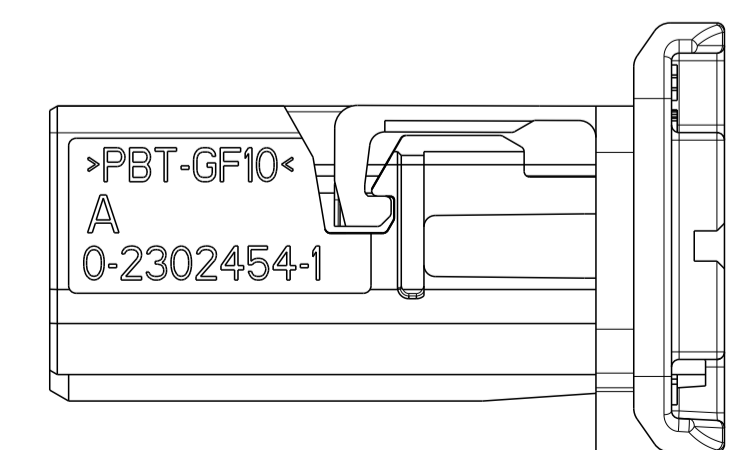
PROJECT NO.:		REVISIONS ÄNDERUNGEN			
P	LTR	DESCRIPTION BESCHREIBUNG	DATE	DWN	APVD
A		NEW DRAWING	16AUG2016	KIJ	AK
A1		E-16-015270 (added P-Spec No.)	27OCT2016	RW	AK
B		E-16-016822 (STP-Contact-Spring Pockets added)	28NOV2016	KIJ	AK
B1		E-17-015004 (added serial parts)	11OCT2017	RW	AK



- Notizen / NOTES
- 0-2302454-1 Kodierung A wie dargestellt
0-2302454-1 CODING A AS SHOWN
 - Passend zu Stiftwanne nach TE-Schnittstellenzeichnung 208-18006
MATING TO PINHEADER ACC. TE-INTERFACE DRAWING 208-18006
 - Kammer fuer MATEnet 2Pos. NanoMQS female Insert module TE PN 0-2302450-X
CAVITY FOR MATEnet 2Pos. NanoMQS FEMALE INSERT MODULE TE PN 0-2302450-X
 - Materialkennzeichnung
MATERIAL MARKING
 - TE-Logo
TE-LOGO
 - TE-Teil Nummer
TE-PART NUMBER
 - Revisionsstand
PART REVISION
 - Kontaktkammernummer
CONTACT CAVITY NUMBER
 - Produktionsdatum
PRODUKTION DATE
 - Anlieferzustand: 2. Kontaktsicherung geöffnet
DELIVERY CONDITION: RETAINER IN OPEN POSITION
 - Verpackung: Schuetztgut im Beutel im Karton
PACKAGING: LOOSE PIECES IN BAG IN BOX



SHOWN IN END-LOCKED POSITION
 Darstellung in Endraststellung



CODE	PART No.	Rev.	DESCRIPTION	MATERIAL	WEIGHT [g]	COLOUR similar RAL
Z	0-2302454-9	A	Single-Port MATEnet Frame, Code Z	PBT-GF10 0% regrind	0.9	water-blue 5021
J	0-2302454-7	A	Single-Port MATEnet Frame, Code J		0.9	beige 1001
C	0-2302454-3	A	Single-Port MATEnet Frame, Code C		0.9	blue 5012
B	0-2302454-2	A	Single-Port MATEnet Frame, Code B		0.9	white 9010
A	0-2302454-1	A	Single-Port MATEnet Frame, Code A		0.9	black 9011

THIS DRAWING IS A CONTROLLED DOCUMENT.

DWN: J.KIEBWEITZER 16AUG2016
 CHK: R.WUERKER 16AUG2016

TE Connectivity

NAME: Single-Port MATEnet Frame
 SINGLE-PORT MATEnet FRAME

SIZE: A1 CAGE CODE: 00779 DRAWING NO: 0-2302454

MATERIAL: see table
 FINISH/SCHLEIFENFARBE: see table

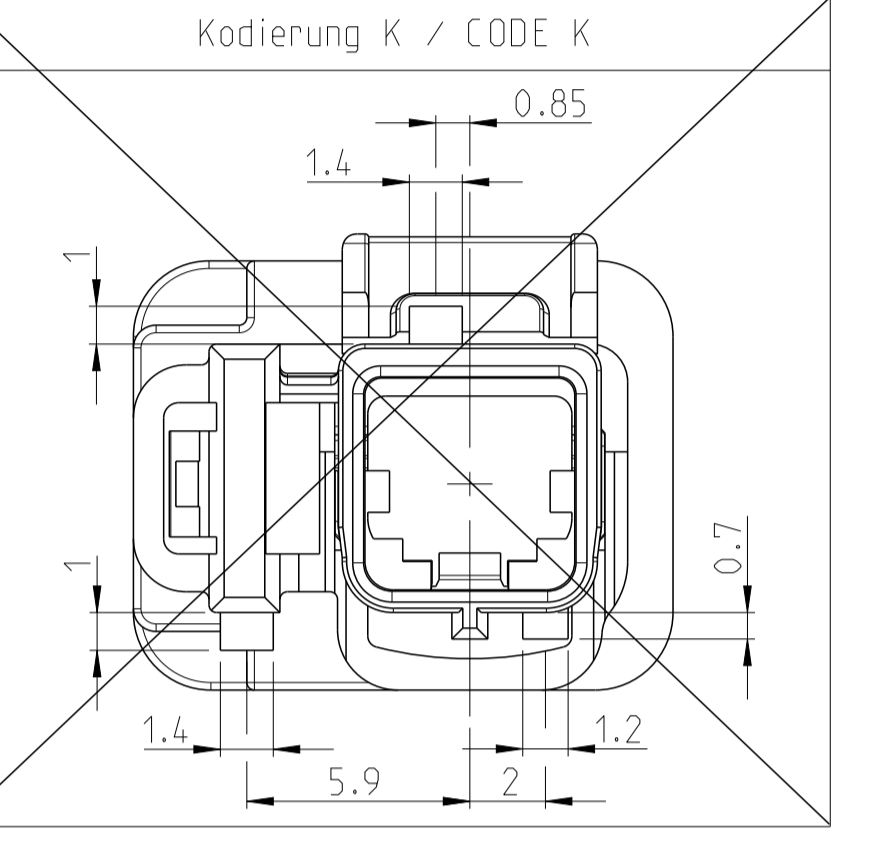
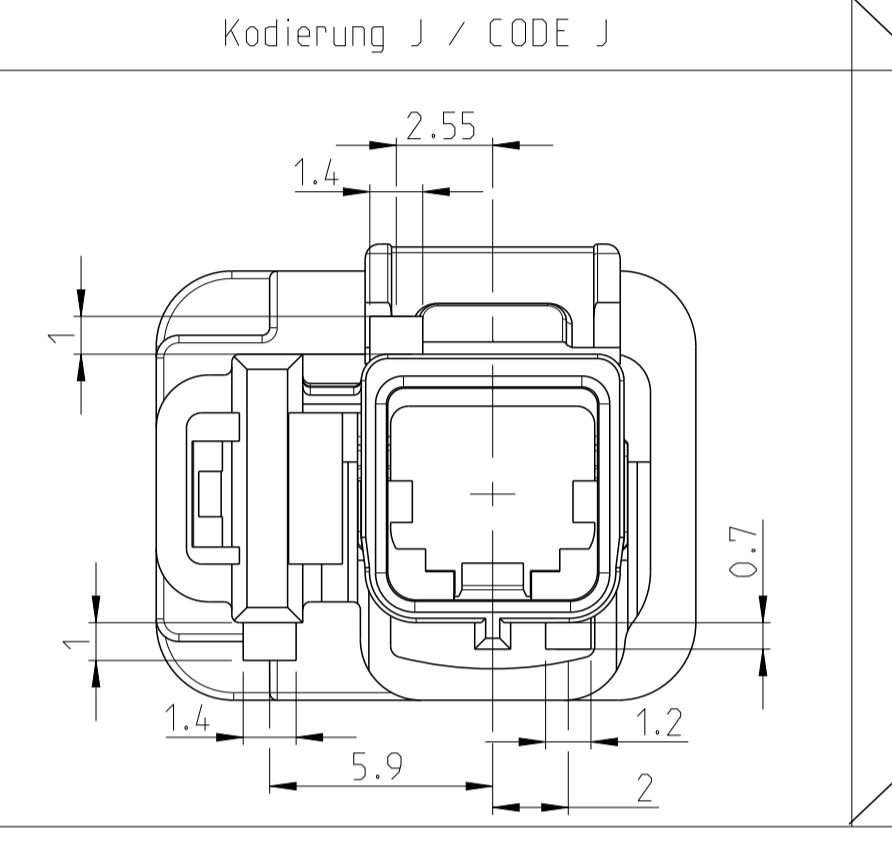
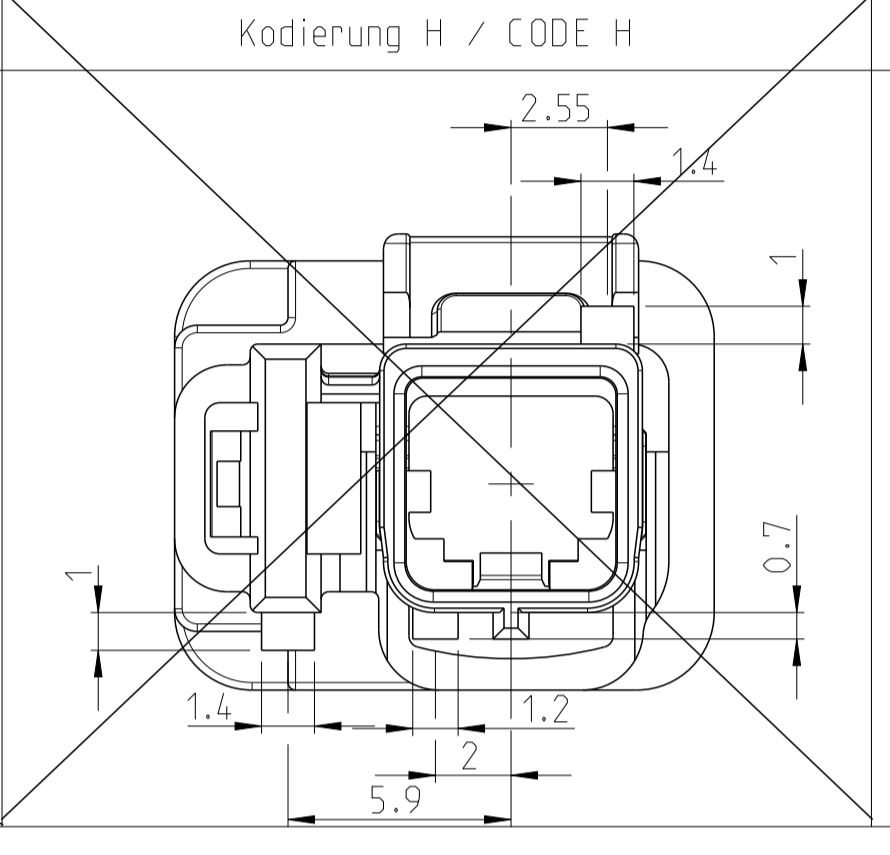
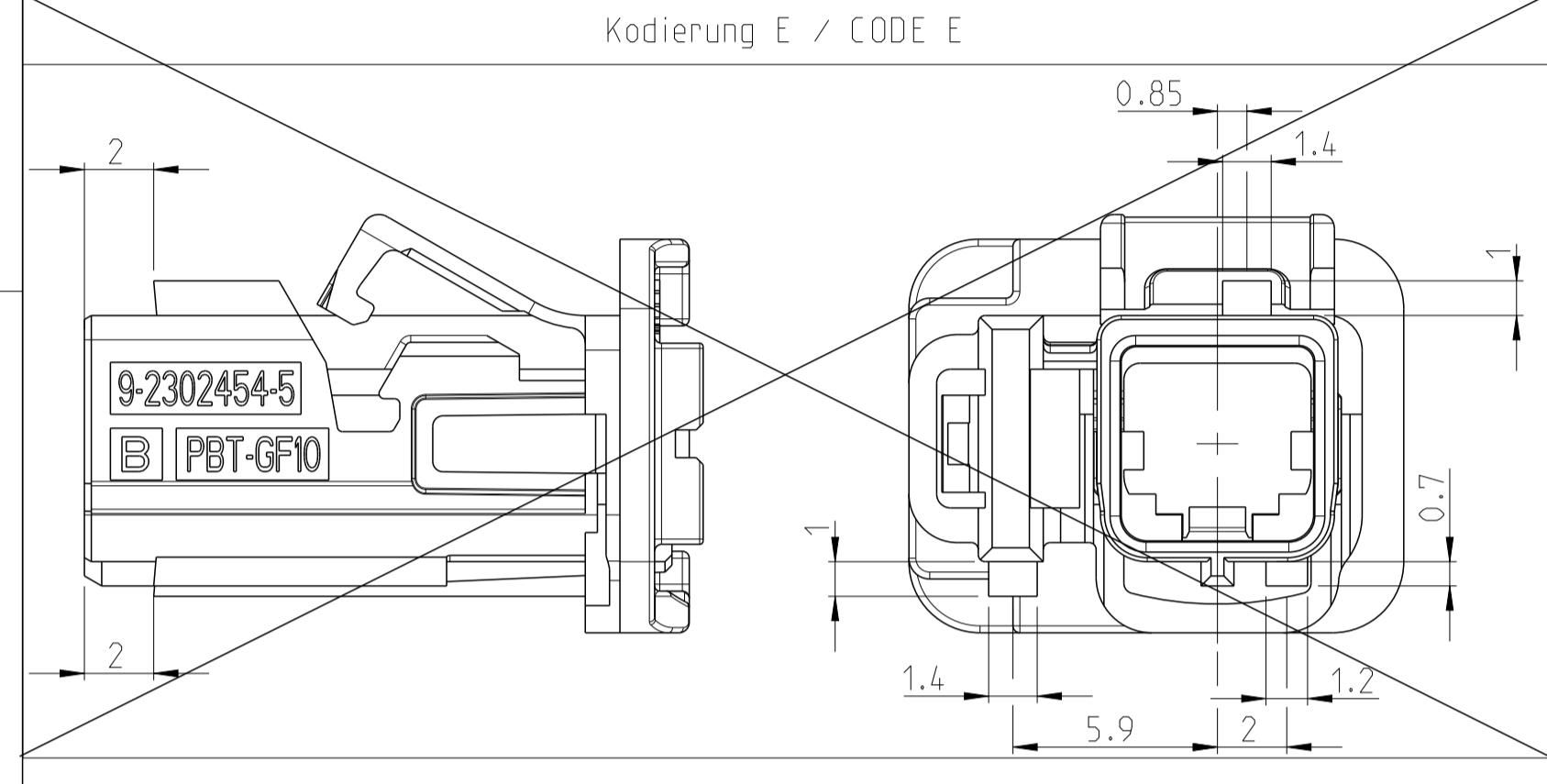
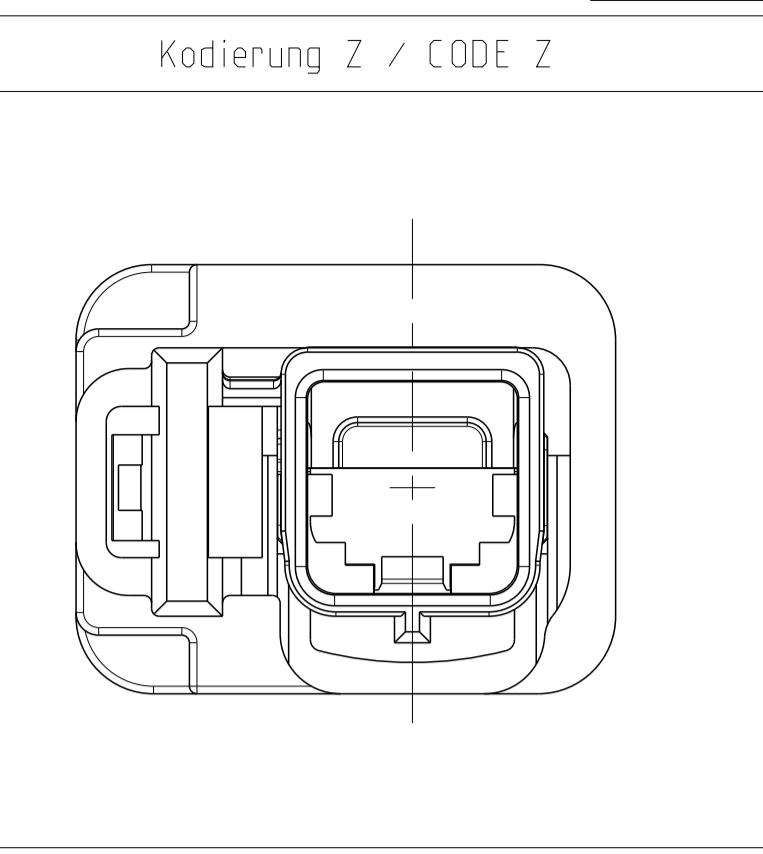
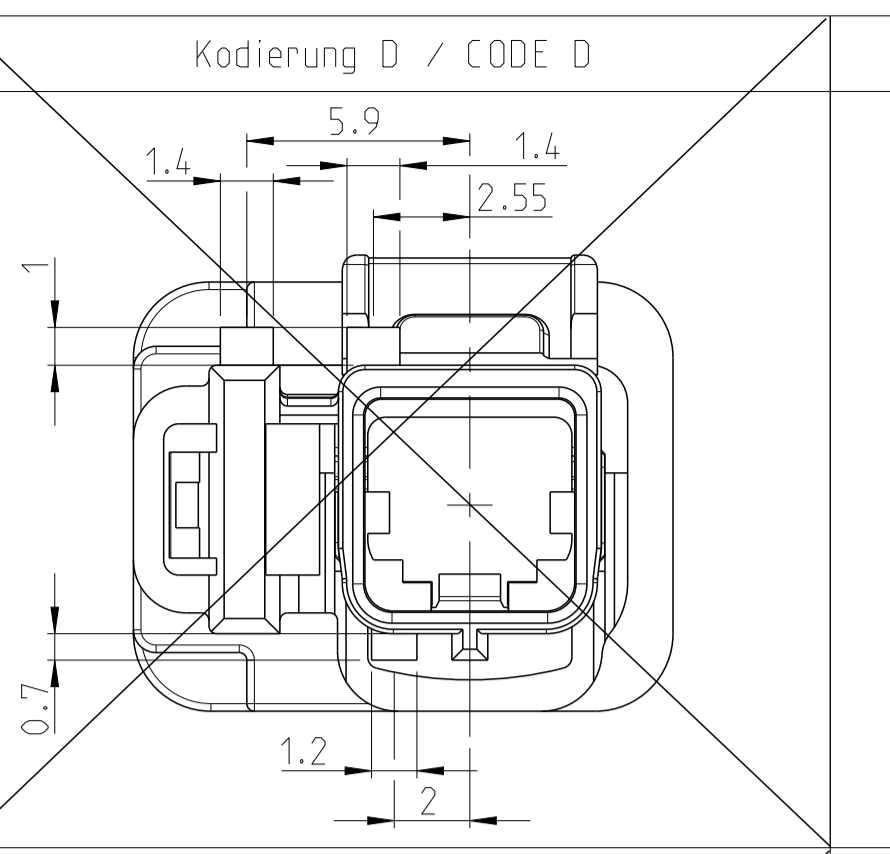
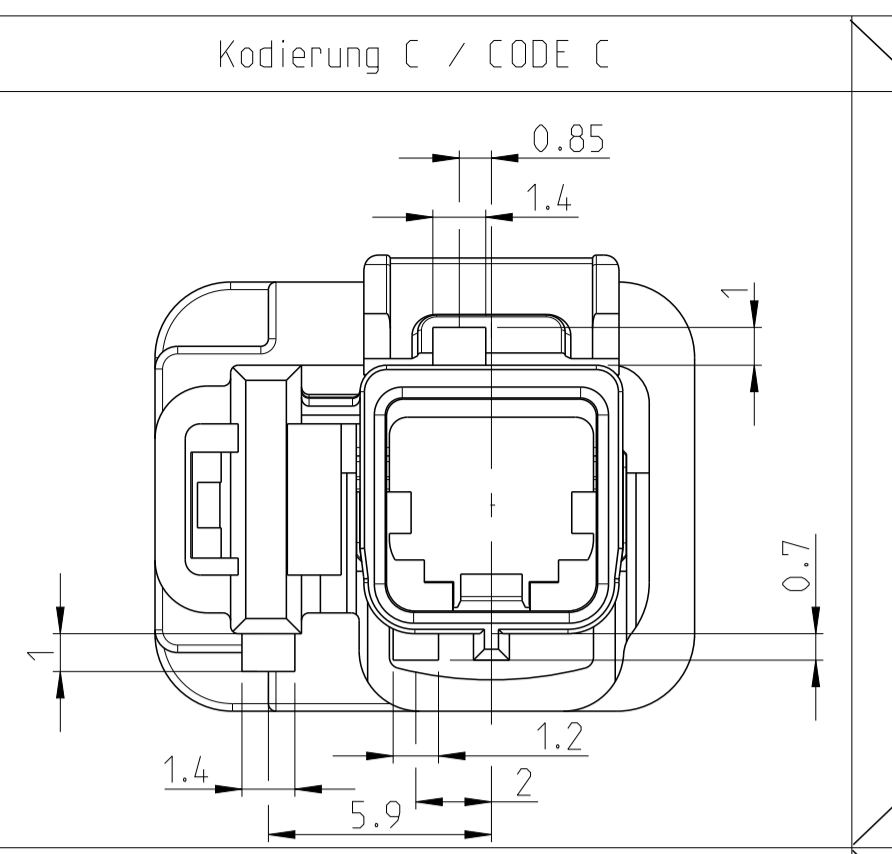
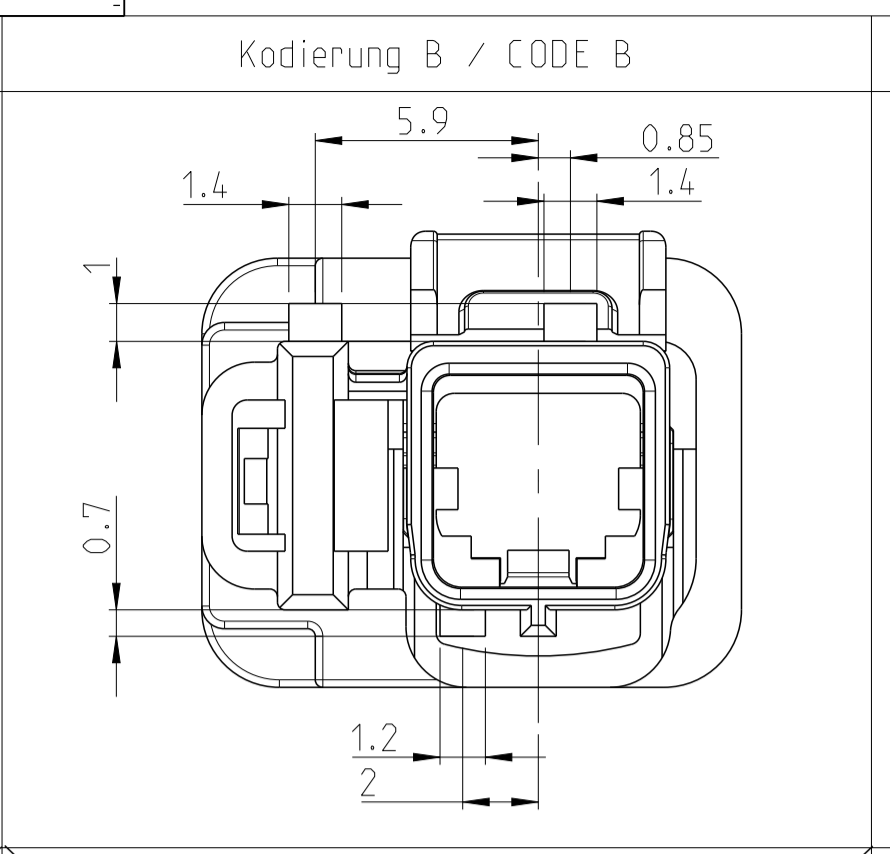
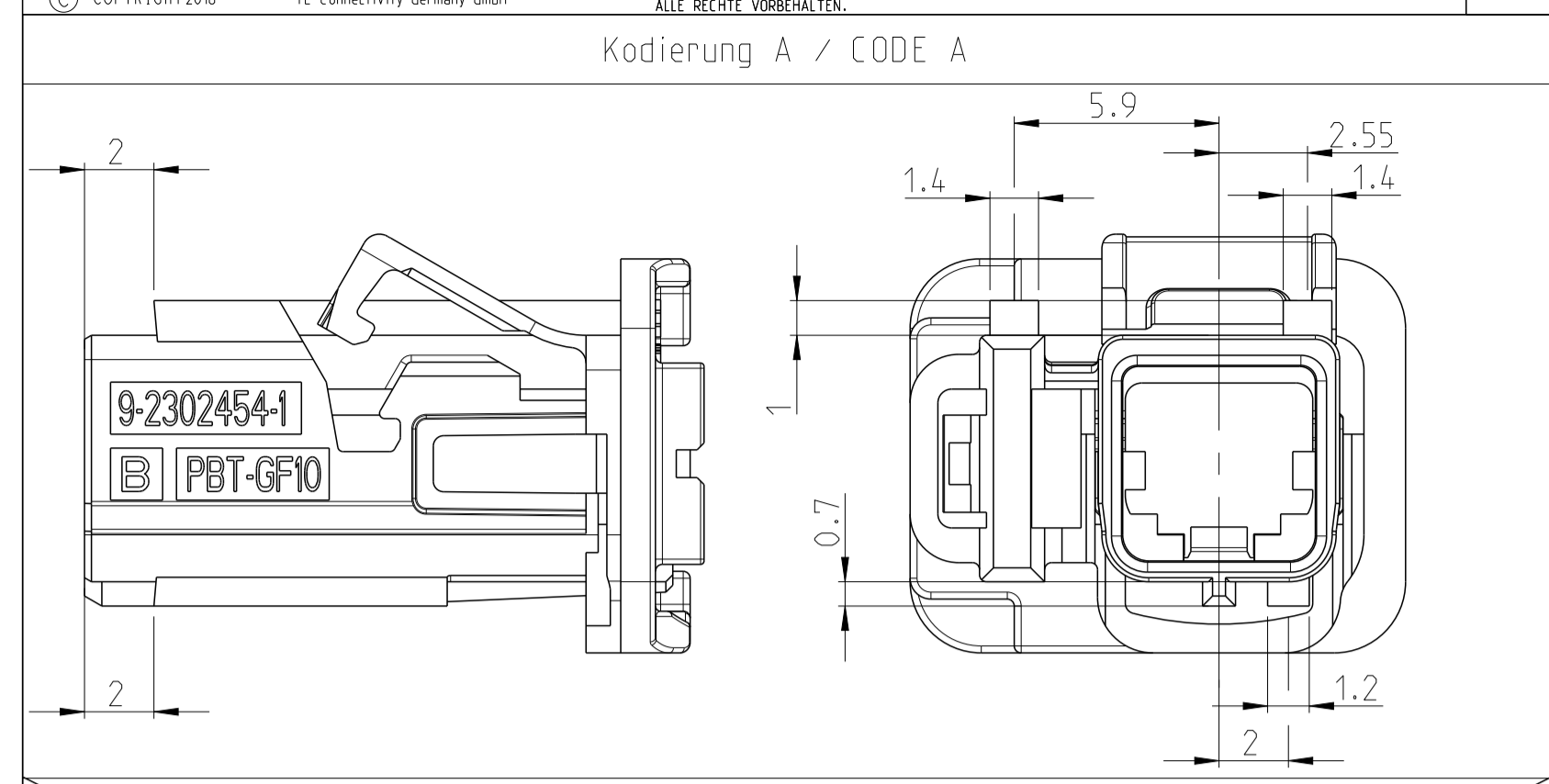
WEIGHT: see table
 GEWICHT: see table

CUSTOMER DRAWING / KUNDENZEICHNUNG

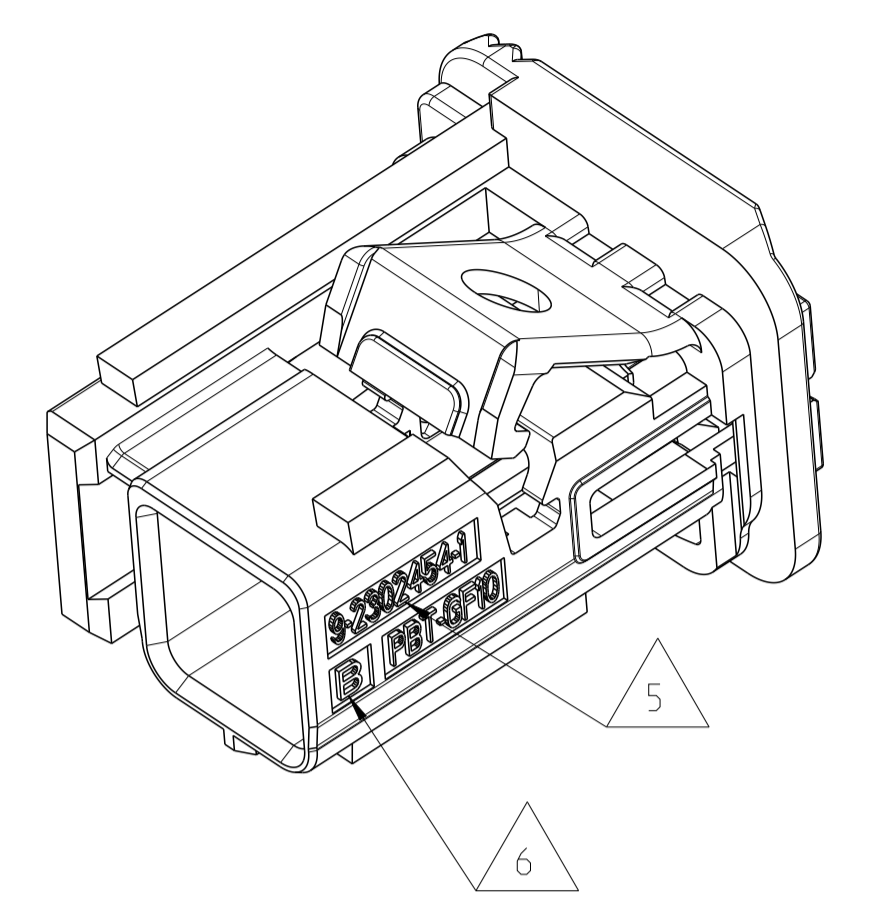
SCALE: 5:1
 MASSSTAB: 5:1

SHEET 1 OF 2
 BLATT 1 VON 2

REV: B1

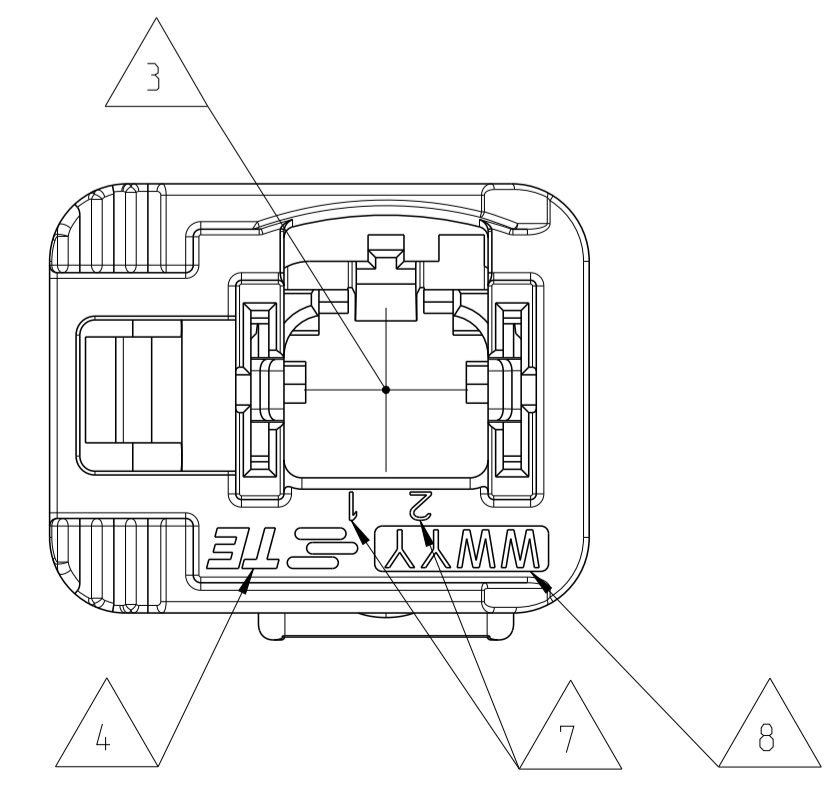
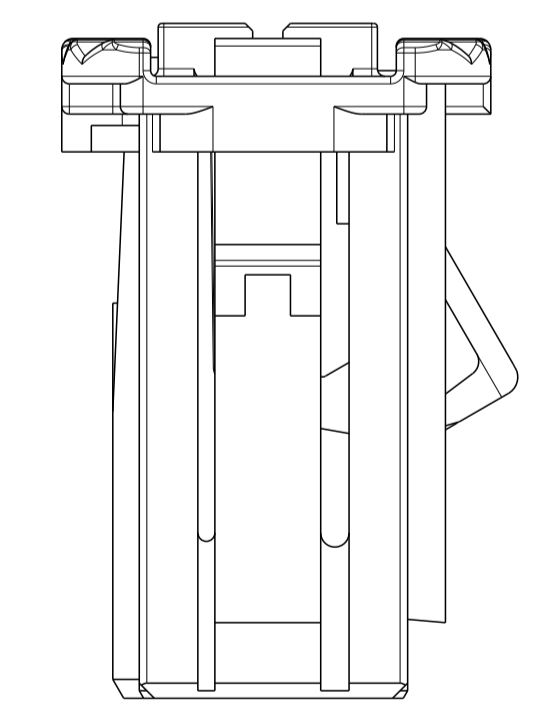
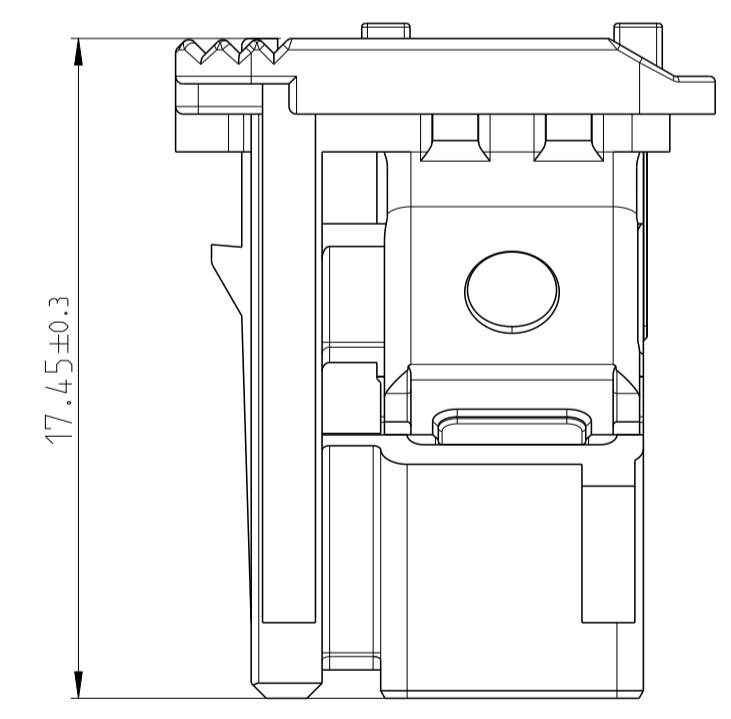
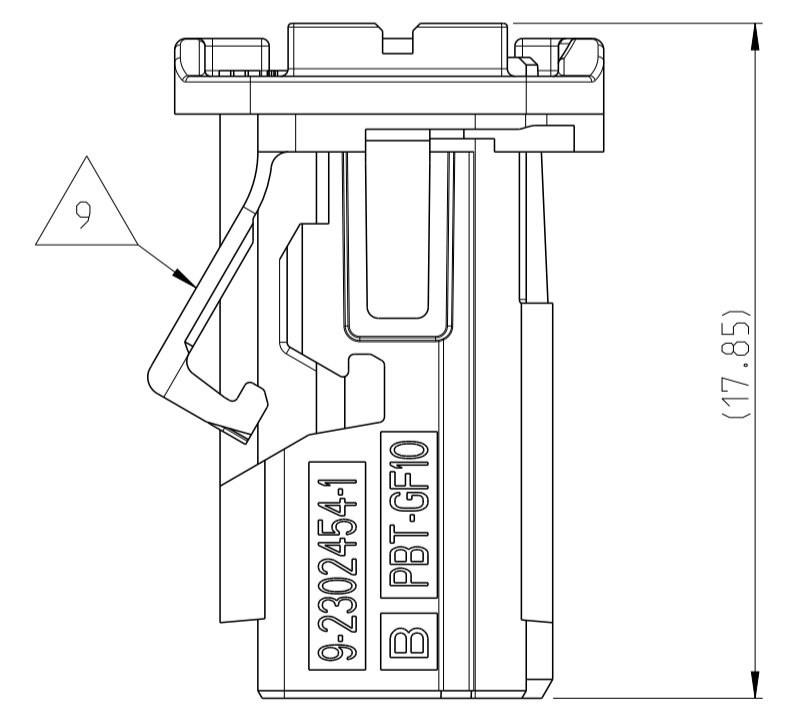
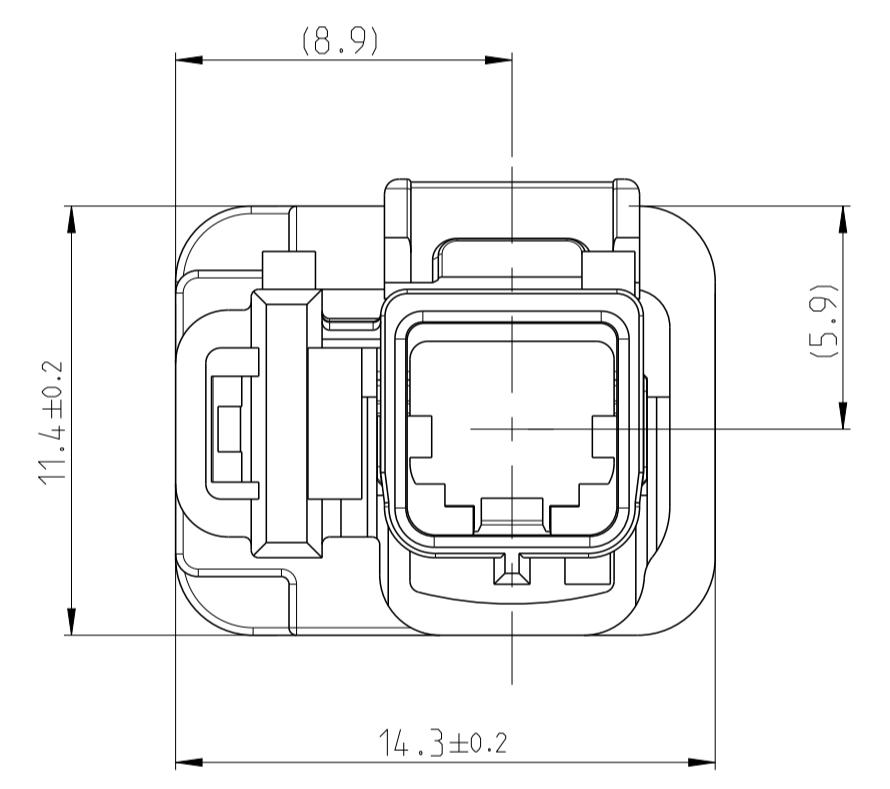


PROJEKT NR.:	REVISIONS	DATE	DWN	APVD
	ÄNDERUNGEN			
	DESCRIPTION			
	BESCHREIBUNG			
P LTR	SEE SHEET 1	-	-	-

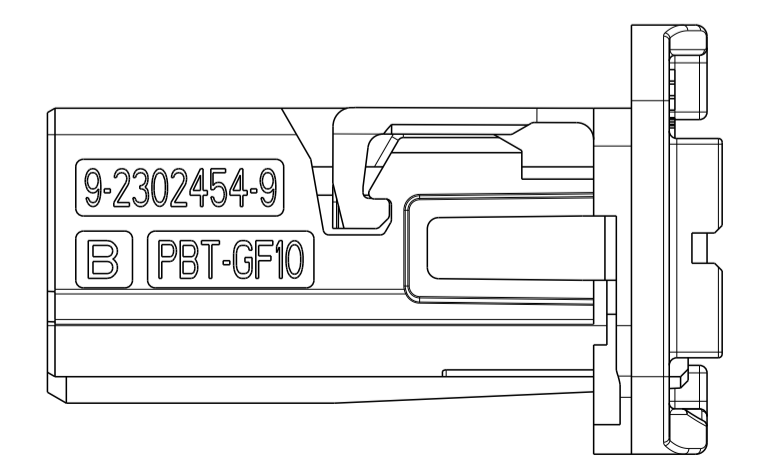


Notizen / NOTES

- 9-2302454-1 Kodierung A wie dargestellt
9-2302454-1 CODING A AS SHOWN
- Passend zu Stiftwanne nach TE-Schnittstellenzeichnung 208-18006
MATING TO PINHEADER ACC. TE-INTERFACE DRAWING 208-18006
- Kammer fuer MATEnet 2Pos. NanoMQS female Insert module TE PN 0-2302450-X
CAVITY FOR MATEnet 2Pos. NanoMQS FEMALE INSERT MODULE TE PN 0-2302450-X
- TE-Logo
TE-LOGO
- TE-Teile Nummer
TE-PART NUMBER
- Revisionsstand
PART REVISION
- Kontaktkammernummer
CONTACT CAVITY NUMBER
- Produktionsdatum
PRODUKTION DATE
- Anlieferzustand: 2. Kontaktsicherung geöffnet
DELIVERY CONDITION: RETAINER IN OPEN POSITION
- Verpackung: Schuetzgut im Beutel, im Karton
PACKAGING: LOOSE PIECES IN BAG IN BOX



2. Kontaktsicherung geschlossen
RETAINER CLOSED



B-MUSTER
PROTOTYPE B-SAMPLES

CODE	PART No.	Rev.	DESCRIPTION	MATERIAL	WEIGHT [g]	COLOUR similar RAL
Z	9-2302454-9	B	Single-Port MATEnet Frame, Code Z	PBT-GF10 0% regrind	0.83	water-blue 5021
K	9-2302454-8	B	Single-Port MATEnet Frame, Code K	PBT-GF10 0% regrind	0.87	curry yellow 1027
J	9-2302454-7	B	Single-Port MATEnet Frame, Code J	PBT-GF10 0% regrind	0.87	beige 1001
H	9-2302454-6	B	Single-Port MATEnet Frame, Code H	PBT-GF10 0% regrind	0.87	heather violet 4003
E	9-2302454-5	B	Single-Port MATEnet Frame, Code E	PBT-GF10 0% regrind	0.87	green 6018
D	9-2302454-4	B	Single-Port MATEnet Frame, Code D	PBT-GF10 0% regrind	0.87	claret violet 4004
C	9-2302454-3	B	Single-Port MATEnet Frame, Code C	PBT-GF10 0% regrind	0.87	blue 5012
B	9-2302454-2	B	Single-Port MATEnet Frame, Code B	PBT-GF10 0% regrind	0.87	white 9010
A	9-2302454-1	B	Single-Port MATEnet Frame, Code A	PBT-GF10 0% regrind	0.87	black 9011

THIS DRAWING IS A CONTROLLED DOCUMENT.		DWN: J.KIEBWETTER 16AUG2016	TE Connectivity	
DIMENSIONS: MASSENHEITEN: mm		CHK: R.WUERKER 16AUG2016	APVD: A.KETTELER 29AUG2016	
TOLERANCES UNLESS OTHERWISE SPECIFIED: ALLE DIMENSIONEN		NAME: Single-Port MATEnet Frame SINGLE-PORT MATEnet FRAME	SIZE: A1	
0 PLC ±0.2		PRODUCT SPEC: 108-94568	DRAWING NO: 00779	
1 PLC ±		APPLICATION SPEC: 114-94431	CAGE CODE: 2302454	
2 PLC ±		VERARBEITUNGSPEZ. FINISCHBEFÄHIGUNG/FINISH	REVISIONS-NR.: 2	
3 PLC ±		WEIGHT: see table	SCALE: 1:1	
4 PLC ±		GEWICHT: see table	SHEET: 2 OF 2	
MATERIAL: see table		CUSTOMER DRAWING	REV: B1	