

2291329-1 ✓ ACTIVE



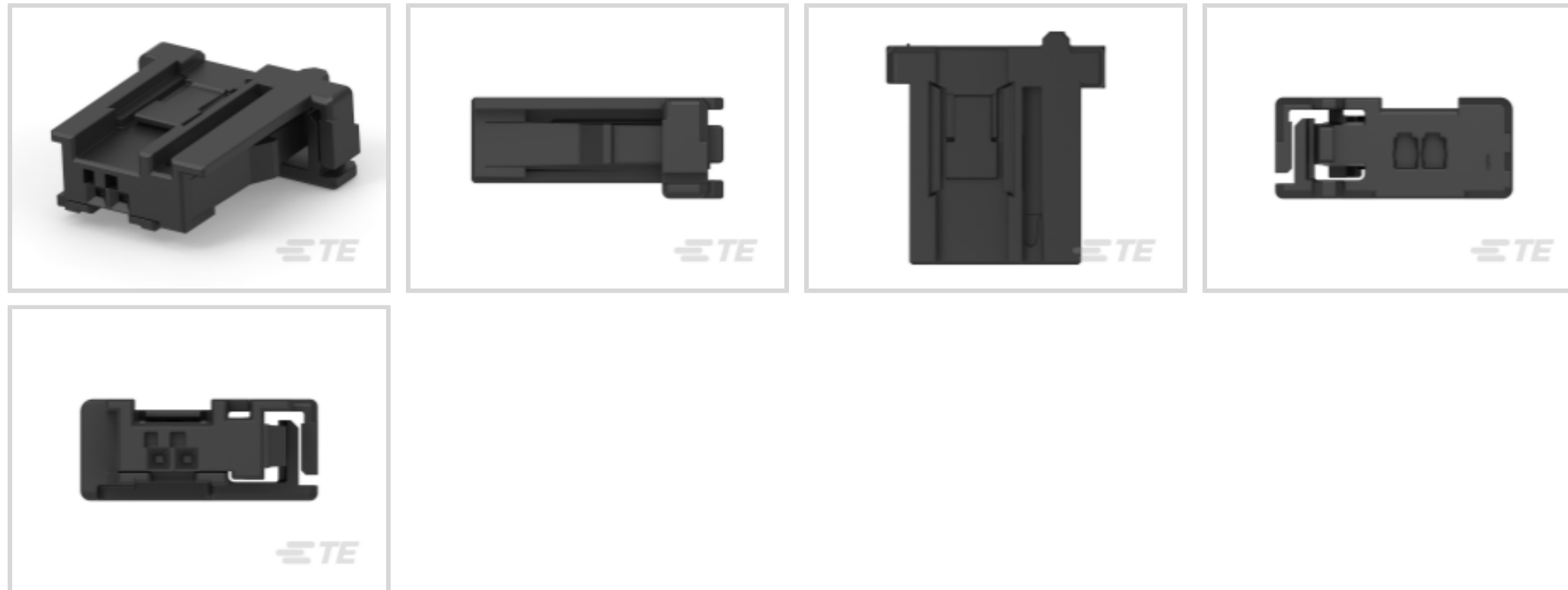
Generation 50

TE Internal #: 2291329-1

Housing for Female Terminals, Wire-to-Device / Wire-to-Board, 2 Position, .071 in [1.8 mm] Centerline, Black, Wire & Cable, Signal, Generation 50

[View on TE.com >](#)

Connectors > Automotive Connectors > Connector Housings



Connector & Housing Type: **Housing for Female Terminals**

Mating Tab Width: **.5 mm [.02 in]**

Connector System: **Wire-to-Board, Wire-to-Device**

Number of Positions: **2**

Centerline (Pitch): **1.8 mm [.071 in]**

Features

Product Type Features

Connector & Housing Shape	Rectangular
Connector & Housing Type	Housing for Female Terminals
Connector System	Wire-to-Board, Wire-to-Device
Sealable	No
Hybrid Connector	No
Primary Locking Feature	Integrated in Housing
Connector & Contact Terminates To	Wire & Cable

Configuration Features

Number of Positions	2
Number of Rows	1

Electrical Characteristics

Nominal Voltage Architecture	12 V
------------------------------	------

Body Features

Body Material	PBT GF
---------------	--------



Primary Product Color	Black
Connector Code	A

Contact Features

Contact Size	.5mm
Contact Type	Receptacle
Mating Tab Width	.5 mm[.02 in]

Mechanical Attachment

Mounting Feature	Without
Terminal Position Assurance	Yes
Mating Alignment Type	Keyed
Mating Alignment	With
Connector Mounting Type	Cable Mount (Free-Hanging)

Housing Features

Centerline (Pitch)	1.8 mm[.071 in]
--------------------	-----------------

Usage Conditions

Operating Temperature (Max)	100 °C[212 °F]
Operating Temperature Range	-40 – 100 °C[-40 – 212 °F]

Operation/Application

Circuit Application	Signal
---------------------	--------

Industry Standards

Agency/Standard	SAE/USCAR-2
-----------------	-------------

Other

Serviceable	Yes
Connector Position Assurance Capable	Yes

Product Compliance

[For compliance documentation, visit the product page on TE.com>](#)

EU RoHS Directive 2011/65/EU	Not Yet Reviewed
EU ELV Directive 2000/53/EC	Not Yet Reviewed
China RoHS 2 Directive MIIT Order No 32, 2016	Not reviewed for China RoHS compliance
EU REACH Regulation (EC) No. 1907/2006	Current ECHA Candidate List: JUNE 2022 (224)



Not Yet Reviewed

Halogen Content

Not Yet Reviewed for halogen content

Solder Process Capability

Not reviewed for solder process capability

Product Compliance Disclaimer

This information is provided based on reasonable inquiry of our suppliers and represents our current actual knowledge based on the information they provided. This information is subject to change. The part numbers that TE has identified as EU RoHS compliant have a maximum concentration of 0.1% by weight in homogenous materials for lead, hexavalent chromium, mercury, PBB, PBDE, DBP, BBP, DEHP, DIBP, and 0.01% for cadmium, or qualify for an exemption to these limits as defined in the Annexes of Directive 2011/65/EU (RoHS2). Finished electrical and electronic equipment products will be CE marked as required by Directive 2011/65/EU. Components may not be CE marked. Additionally, the part numbers that TE has identified as EU ELV compliant have a maximum concentration of 0.1% by weight in homogenous materials for lead, hexavalent chromium, and mercury, and 0.01% for cadmium, or qualify for an exemption to these limits as defined in the Annexes of Directive 2000/53/EC (ELV). Regarding the REACH Regulations, TE's information on SVHC in articles for this part number is still based on the European Chemical Agency (ECHA) 'Guidance on requirements for substances in articles' (Version: 2, April 2011), applying the 0.1% weight on weight concentration threshold at the finished product level. TE is aware of the European Court of Justice ruling of September 10th, 2015 also known as O5A (Once An Article Always An Article) stating that, in case of 'complex object', the threshold for a SVHC must be applied to both the product as a whole and simultaneously to each of the articles forming part of its composition. TE has evaluated this ruling based on the new ECHA "Guidance on requirements for substances in articles" (June 2017, version 4.0) and will be updating its statements accordingly.

Compatible Parts



TE Part # 2291330-1
HEADER ASSY, 2 P, SIDE LATCH, GEN 50

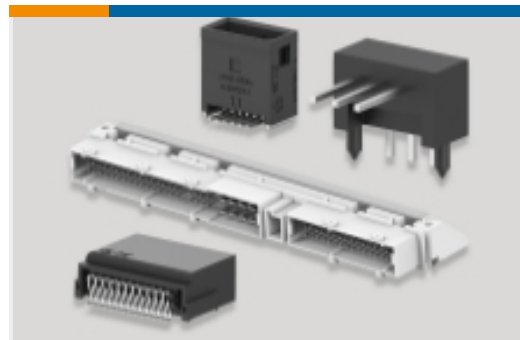
Also in the Series | Generation 50



Automotive Housings(36)



Automotive Terminals(4)



PCB Headers & Receptacles(13)

Customers Also Bought



TE Part #788189-2
CPC 17-3 RCPT ASY, REV SEX



TE Part #2-330648-1
PIDG 22-16 22-18 MIL R 4; TAPE



TE Part #2177090-3
STEEL, OUTER FERRULE, 8MM HV,
25SQMM



TE Part #1-1633961-2
CRIMPER, INSULATION F PREMIUM
25SQMM



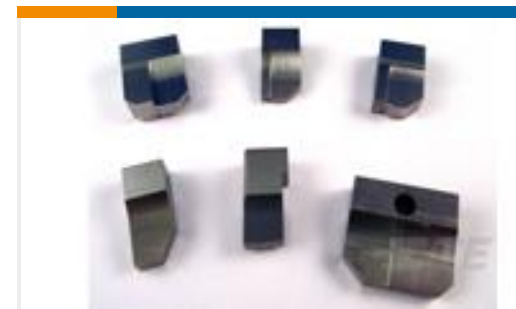
TE Part #1587940-3
CABLE SEAL RETAINER, SIZE C



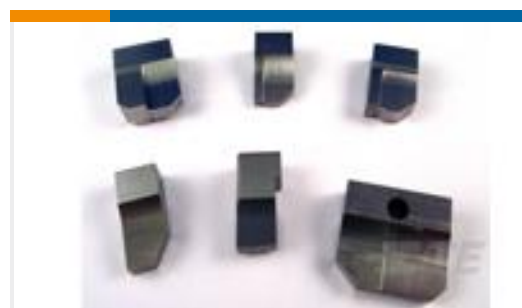
TE Part #2103013-3
CABLE SEAL RETAINER, SIZE 2, OR,
HVA280



TE Part #2208669-3
8MM HV, CONTACT, ASSY



TE Part #4-1633932-0
ANVIL, COMBINATION



TE Part #464291-5
ANVIL, SAND-BLASTED 12-10



TE Part #YHV280-2PM-P-4MM-B
HVA280-2phm, pass, 4sqmm, Key B

Documents

Product Drawings

[PLUG ASSY, 2 P, SIDE LATCH, GEN 50](#)

English

CAD Files

[3D PDF](#)

3D

Customer View Model

[ENG_CVM_CVM_2291329-1_A.2d_dxf.zip](#)

English

Customer View Model

[ENG_CVM_CVM_2291329-1_A.3d_igs.zip](#)

English

Customer View Model

[ENG_CVM_CVM_2291329-1_A.3d_stp.zip](#)

English

By downloading the CAD file I accept and agree to the [Terms and Conditions](#) of use.

Instruction Sheets

2291329-1

Housing for Female Terminals, Wire-to-Device / Wire-to-Board, 2 Position, .071 in [1.8 mm] Centerline, Black, Wire & Cable, Signal, Generation 50



Instruction Sheet (U.S.)

English