

2MM-RT-M-T-SP ✓ ACTIVE

AMPMODU | AMPMODU 2 mm

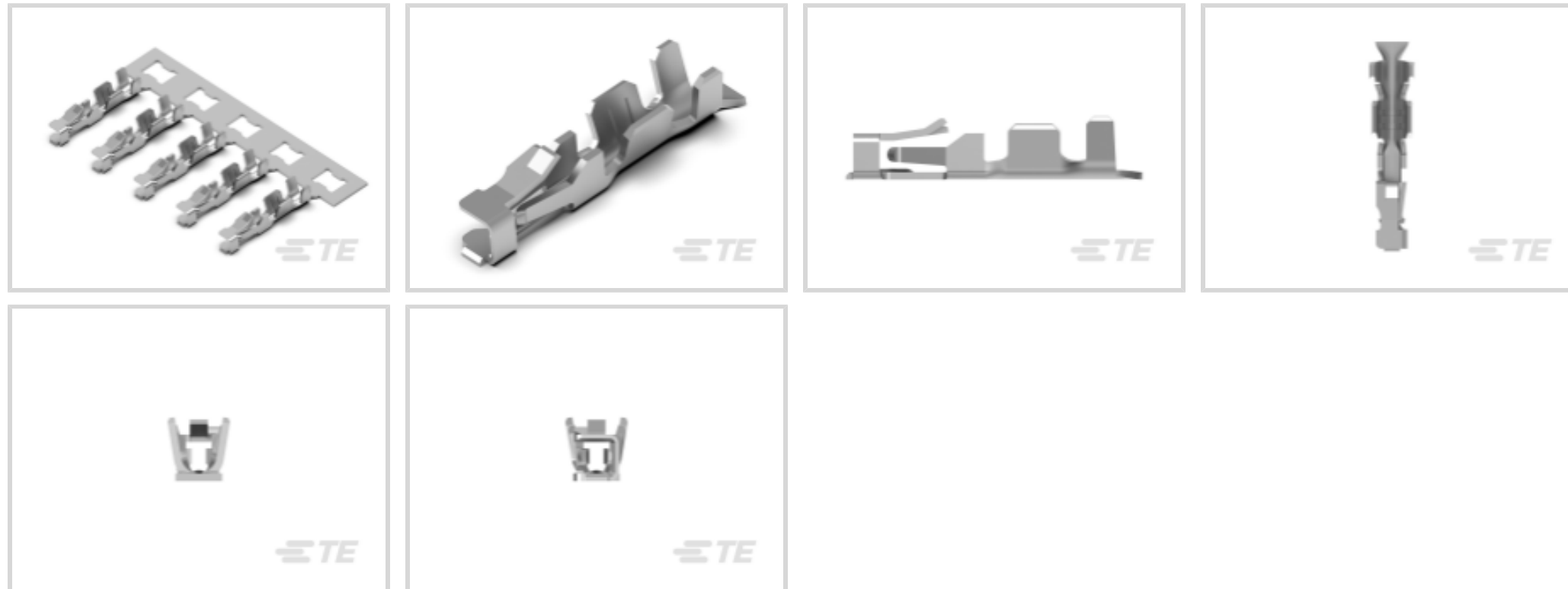
TE Internal #: 2316113-2

Connector Contact, Receptacle, Wire-to-Board, 28 – 24 AWG Wire Size, 141.75 – 448 CMA Wire Size, .08 – .22 mm² Wire Size, Tin, Reel, AMPMODU 2 mm

[View on TE.com >](#)



Connectors > PCB Connectors > Wire-to-Board Connectors > Wire-to-Board Connector Contacts



Contact Type: **Receptacle**

Connector System: **Wire-to-Board**

Wire Size: **.08 – .22 mm²**

Features

Product Type Features

Applied Pressure	Standard
Connector System	Wire-to-Board
Sealable	No
Connector & Contact Terminates To	Wire & Cable

Electrical Characteristics

Termination Resistance	15 mΩ
Operating Voltage	125 VAC

Contact Features

Contact Retention Within Housing	With
Wire Contact Termination Area Plating Material Finish	Matte
Contact Base Material	Phosphor Bronze
Contact Type	Receptacle
Contact Mating Area Plating Material	Tin
Contact Current Rating (Max)	2 A

Termination Features

Termination Method to Wire & Cable	Crimp
------------------------------------	-------

Mechanical Attachment

Contact Retention Type Within Housing	Locking Lance
Connector Mounting Type	Cable Mount (Free-Hanging)

Dimensions

Wire Size	.08 – .22 mm ²
-----------	---------------------------

Usage Conditions

Operating Temperature Range	-40 – 105 °C[-40 – 221 °F]
-----------------------------	----------------------------

Operation/Application

Circuit Application	Signal
---------------------	--------

Packaging Features

Packaging Method	Reel
------------------	------

Product Compliance

[For compliance documentation, visit the product page on TE.com>](#)

EU RoHS Directive 2011/65/EU	Compliant
EU ELV Directive 2000/53/EC	Compliant
China RoHS 2 Directive MIIT Order No 32, 2016	No Restricted Materials Above Threshold
EU REACH Regulation (EC) No. 1907/2006	Current ECHA Candidate List: JUNE 2022 (224) Candidate List Declared Against: JUNE 2022 (224) Does not contain REACH SVHC
Halogen Content	Low Halogen - Br, Cl, F, I < 900 ppm per homogenous material. Also BFR/CFR/PVC Free
Solder Process Capability	Not reviewed for solder process capability

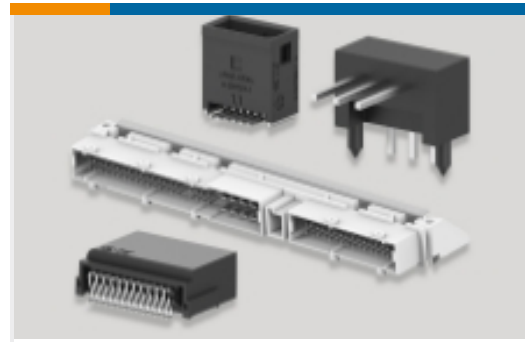
Product Compliance Disclaimer

This information is provided based on reasonable inquiry of our suppliers and represents our current actual knowledge based on the information they provided. This information is subject to change. The part numbers that TE has identified as EU RoHS compliant have a maximum concentration of 0.1% by weight in homogenous materials for lead, hexavalent chromium, mercury, PBB, PBDE, DBP, BBP, DEHP, DIBP, and 0.01% for cadmium, or qualify for an exemption to these limits as defined in the Annexes of Directive 2011/65/EU (RoHS2). Finished electrical and electronic equipment products will be CE marked as required by Directive 2011/65/EU. Components may not be CE marked. Additionally, the part numbers that TE has identified as EU ELV compliant have a maximum concentration of 0.1% by weight in homogenous materials for lead, hexavalent chromium, and mercury, and 0.01% for cadmium, or qualify for an exemption to these limits as defined in the Annexes of Directive 2000/53/EC (ELV). Regarding the REACH Regulation, the information TE provides on SVHC in articles for this part number is based on the latest European Chemicals Agency (ECHA) 'Guidance on requirements for substances in articles' posted at this URL: <https://echa.europa.eu/guidance-documents/guidance-on-reach>

Compatible Parts

 <p>TE Part # 2316108-4 4P,2MM,REC,HSG,DR,CRIMP,PLAIN, BOX</p>	 <p>TE Part # 2316108-6 6P,2MM,REC,HSG,DR,CRIMP,PLAIN, BOX</p>	 <p>TE Part # 2316108-8 8P,2MM,REC,HSG,DR,CRIMP,PLAIN, BOX</p>	 <p>TE Part # 1-2316108-0 10P,2MM,REC,HSG,DR,CRIMP,PLAIN, BOX</p>
 <p>TE Part # 1-2316108-2 12P,2MM,REC,HSG,DR,CRIMP,PLAIN, BOX</p>	 <p>TE Part # 2316102-2 2P,2MM,REC,HSG,SR,CRIMP,PLAIN, BOX</p>	 <p>TE Part # 2316102-3 3P,2MM,REC,HSG,SR,CRIMP,PLAIN, BOX</p>	 <p>TE Part # 2316102-4 4P,2MM,REC,HSG,SR,CRIMP,PLAIN, BOX</p>
 <p>TE Part # 2316102-5 5P,2MM,REC,HSG,SR,CRIMP,PLAIN, BOX</p>	 <p>TE Part # 2316102-6 6P,2MM,REC,HSG,SR,CRIMP,PLAIN, BOX</p>	 <p>TE Part # 2316102-8 8P,2MM,REC,HSG,SR,CRIMP,PLAIN, BOX</p>	 <p>TE Part # 1-2316102-0 10P,2MM,REC,HSG,SR,CRIMP,PLAIN, BOX</p>
 <p>TE Part # 1-2316102-2 12P,2MM,REC,HSG,SR,CRIMP,PLAIN, BOX</p>	 <p>TE Part # 1-2316102-4 14P,2MM,REC,HSG,SR,CRIMP,PLAIN, BOX</p>	 <p>TE Part # 1-2316102-5 15P,2MM,REC,HSG,SR,CRIMP,PLAIN, BOX</p>	 <p>TE Part # 1-2316102-6 16P,2MM,REC,HSG,SR,CRIMP,PLAIN, BOX</p>
 <p>TE Part # 2-2316102-0 20P,2MM,REC,HSG,SR,CRIMP,PLAIN, BOX</p>	 <p>TE Part # 1-2316109-4 14P,2MM,REC,HSG,DR,CRIMP,LCK RAMP,BOX</p>	 <p>TE Part # 1-2316109-6 16P,2MM,REC,HSG,DR,CRIMP,LCK RAMP,BOX</p>	 <p>TE Part # 2-2316109-0 20P,2MM,REC,HSG,DR,CRIMP,LCK RAMP,BOX</p>

Also in the Series | AMPMODU 2 mm



PCB Headers & Receptacles(12661)



Wire-to-Board Connector Assemblies
& Housings(109)

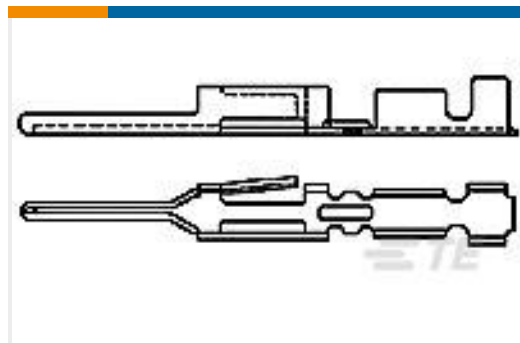


Wire-to-Board Connector Contacts(27)

Customers Also Bought



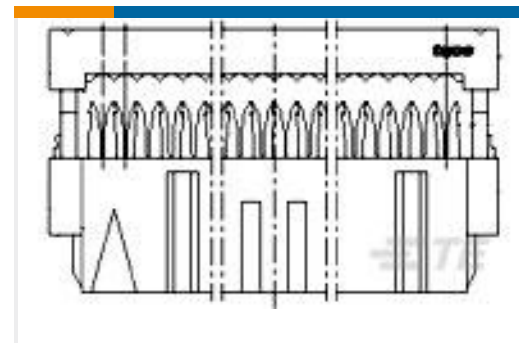
TE Part #969047-3
MODU CRIMP CONTACT



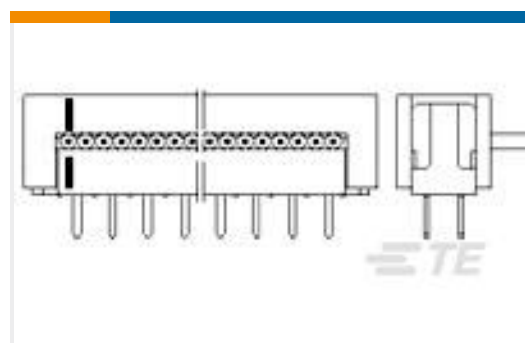
TE Part #163618-1
CIS COSI PIN POST



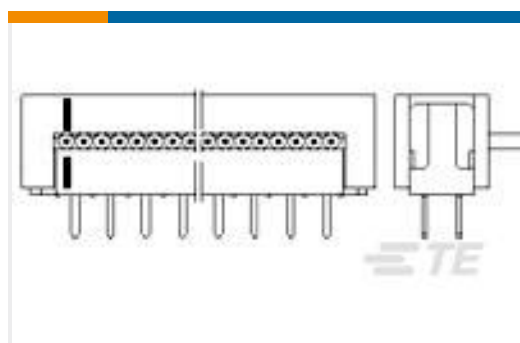
TE Part #1991234-1
SHIELD BODY & WAVE SPRING ASSY



TE Part #6-215915-0
AMP-LATCH 15.2 HIGH TAPE



TE Part #6-216791-0
AMP LATCH D/P ASSY



TE Part #6-216792-4
AMP LATCH ASSY



TE Part #964976-6
MODU2MM BU-GEH 2X6P



TE Part #964976-7
MODU2MM BU-GEH 2X7P



TE Part #1991231-2
EMC CRIMP SLEEVE. IPT 16-50mms



TE Part #5750340-1
Mini DIN, 8 pos, Vertical, Shield

Documents

Product Drawings

2MM,REC,CNT,CRIMP,24-28AWG,TIN,HT

English

CAD Files

3D PDF

3D



Customer View Model

[ENG_CVM_CVM_2316113-2_1.2d_dxf.zip](#)

English

Customer View Model

[ENG_CVM_CVM_2316113-2_1.3d_igs.zip](#)

English

Customer View Model

[ENG_CVM_CVM_2316113-2_1.3d_stp.zip](#)

English

By downloading the CAD file I accept and agree to the [Terms and Conditions](#) of use.

Product Specifications

[Application Specification](#)

English