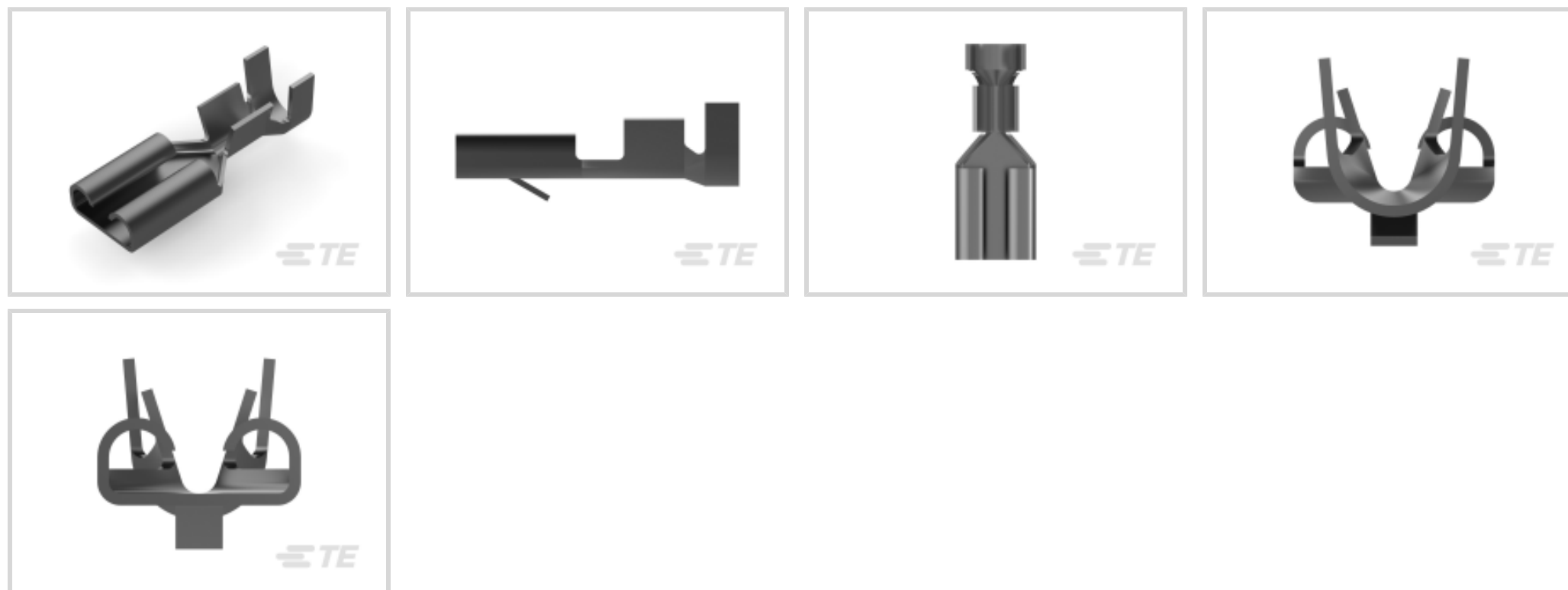




Terminals & Splices > Quick Disconnects

Quick Disconnect Terminal Type: **Receptacle**Wire Size: .51 – 1.65 mm²

Mating Tab Width: 4.75 mm [.187 in]

Mating Tab Thickness: .81 mm [.032 in]

Features

Product Type Features

Terminates To	Wire & Cable
Wire/Cable Type	Regular Wire
Wire Stop	No
Insertion Force	Normal
Sealable	No

Configuration Features

Connection Capacity	Single
---------------------	--------

Electrical Characteristics

Voltage (Max)	250 V
---------------	-------

Contact Features

Quick Disconnect Terminal Type	Receptacle
Mating Tab Width	4.75 mm [.187 in]
Mating Tab Thickness	.81 mm [.032 in]
Terminal Orientation	Straight



Contact Base Material	Brass
Terminal Plating Material	Pre-Tin
Crimp Type	F-Crimp
Barrel Type	Open

Mechanical Attachment

Mating Retention Type	Locking Lance
Extraction Force	4 Newton
Locking Lance Height	1.2 mm
Wire Insulation Support	With

Dimensions

Accepts Wire Insulation Diameter Range	2.31 – 3.3 mm [.091 – .129 in]
Receptacle Terminal Stock Thickness	.25 mm [.01 in]
Overall Length	16 mm [.629 in]
Wire Size	.51 – 1.65 mm ²

Usage Conditions

Insulation Option	Uninsulated
Operating Temperature Range	-40 – 110 °C [-40 – 230 °F]

Packaging Features

Packaging Quantity	8000
Packaging Method	Strip/Reel

Product Compliance

[For compliance documentation, visit the product page on TE.com>](#)

EU RoHS Directive 2011/65/EU	Compliant
EU ELV Directive 2000/53/EC	Compliant
China RoHS 2 Directive MIIT Order No 32, 2016	No Restricted Materials Above Threshold
EU REACH Regulation (EC) No. 1907/2006	Current ECHA Candidate List: JUNE 2022 (224) Candidate List Declared Against: JAN 2022 (223) SVHC > Threshold: Not Yet Reviewed
Halogen Content	Low Halogen - Br, Cl, F, I < 900 ppm per homogenous material. Also BFR/CFR/PVC Free

Solder Process Capability

Not applicable for solder process capability

Product Compliance Disclaimer

This information is provided based on reasonable inquiry of our suppliers and represents our current actual knowledge based on the information they provided. This information is subject to change. The part numbers that TE has identified as EU RoHS compliant have a maximum concentration of 0.1% by weight in homogenous materials for lead, hexavalent chromium, mercury, PBB, PBDE, DBP, BBP, DEHP, DIBP, and 0.01% for cadmium, or qualify for an exemption to these limits as defined in the Annexes of Directive 2011/65/EU (RoHS2). Finished electrical and electronic equipment products will be CE marked as required by Directive 2011/65/EU. Components may not be CE marked. Additionally, the part numbers that TE has identified as EU ELV compliant have a maximum concentration of 0.1% by weight in homogenous materials for lead, hexavalent chromium, and mercury, and 0.01% for cadmium, or qualify for an exemption to these limits as defined in the Annexes of Directive 2000/53/EC (ELV). Regarding the REACH Regulation, the information TE provides on SVHC in articles for this part number is based on the latest European Chemicals Agency (ECHA) 'Guidance on requirements for substances in articles' posted at this URL: <https://echa.europa.eu/guidance-documents/guidance-on-reach>

Compatible Parts



TE Part # 175042-1
FF 187 REC 2-3MM2 PTBR



TE Part # 175040-1
FF 187 REC 0.5-1.25MM2 PTBR



TE Part # 2-2150309-1
OCEAN_2.0_APPLICATOR-E-090F130F



TE Part # 2-2150309-2
OCEAN_2.0_APPLICATOR-E-090F130FA



TE Part # 2150309-1
OCEAN_2.0_APPLICATOR-E-090F130F



TE Part # 2150309-2
OCEAN_2.0_APPLICATOR-E-090F130FA



TE Part # 281197-5
FF 187 REC 1.0-2.5MM2 PTBR (RE REELING)



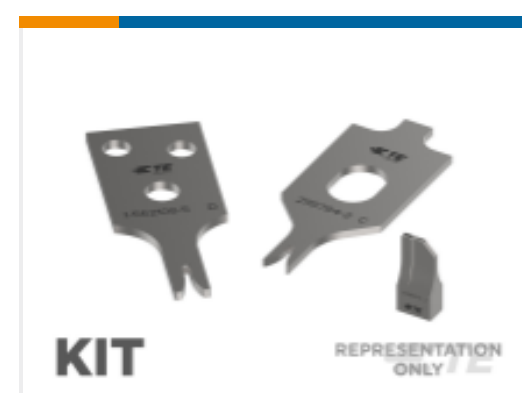
TE Part # 281197-6
FF 187 REC 1.0-2.5MM2 PTBR



TE Part # 7-2150309-1
OCEAN_2.0_APPLICATOR-E-090F130F



TE Part # 7-2150309-2
OCEAN_2.0_APPLICATOR-E-090F130FA



TE Part # 7-2150309-7
OCEAN_2.0_SPARE_PART_KIT-090F130F

Also in the Series | **FASTIN-FASTON 187**



Crimp Terminal Housings(8)



Insertion & Extraction Tools(1)

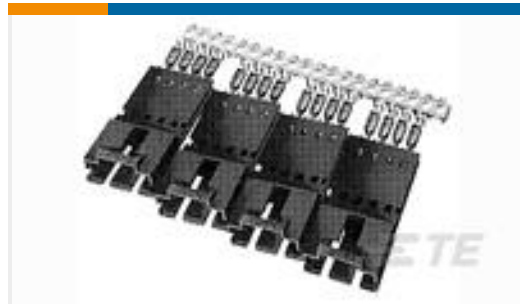


Quick Disconnects(22)

Customers Also Bought



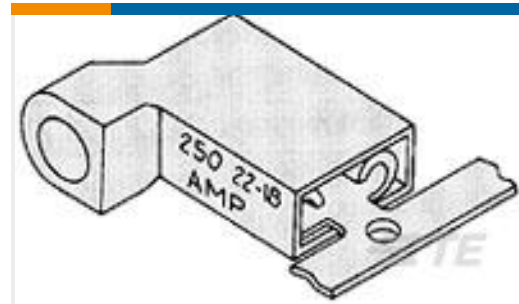
TE Part #66024-2
TAB,PIDG TERMI-BK 16-14



TE Part #5-103945-2
5X3 MTE SHRD PIN SR LATCH .100



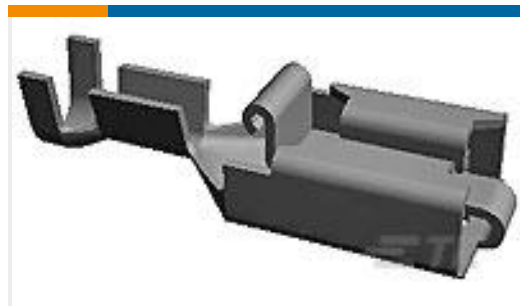
TE Part #3-1393310-8
VCFM-1002=SOCKET,VCFM,5,PC,PLA-



TE Part #3-520338-2
ULTRA-FAST 187 ASY REC 16-14 AWG TPBR



TE Part #42400-2
250 FASTON REC 18-14 AWG TPBR



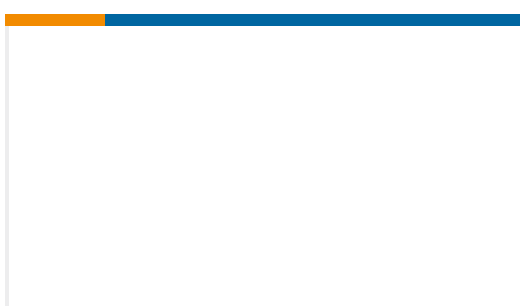
TE Part #154718-6
250 PL MKI REC. 18-14AWG PTPB



TE Part #160645-2
FF 250 TAB 22-18AWG TPBR



TE Part #66024-6
TAB,PIDG TERMI-BK 16-14



TE Part #469766-1
BUSHING, FLYWHEEL REPLACEMENT

Documents

Product Drawings

[FF 187 REC 0.5-1.5MM2 TPBR](#)

English

CAD Files

[3D PDF](#)

3D

Customer View Model

[ENG_CVM_CVM_280919-2_M.2d_dxf.zip](#)



English

Customer View Model

[ENG_CVM_CVM_280919-2_M.3d_igs.zip](#)

English

Customer View Model

[ENG_CVM_CVM_280919-2_M.3d_stp.zip](#)

English

By downloading the CAD file I accept and agree to the [Terms and Conditions](#) of use.

Product Specifications

[Application Specification](#)

[FASTIN-FASTON Connector, .187 rec. etc.](#)