

281810-2 ✓ ACTIVE

AMP | Junior Power Timer

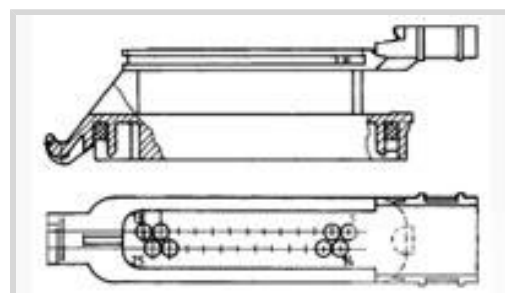
TE Internal #: 281810-2

Housing for Male Terminals, Wire-to-Board / Wire-to-Device, 25 Position, .197 in [5 mm] Centerline, Sealable, Black, Junior Power Timer

[View on TE.com >](#)



Connectors > Automotive Connectors > Connector Housings > TIMER, CONNECTOR HOUSING



Connector & Housing Type: **Housing for Male Terminals**

Connector System: **Wire-to-Board, Wire-to-Device**

Number of Positions: **25**

Centerline (Pitch): **5 mm [.197 in]**

Sealable: **Yes**

[All TIMER, CONNECTOR HOUSING \(543\)](#)

Features

Product Type Features

Connector & Housing Shape	Rectangular
Connector & Housing Type	Housing for Male Terminals
Connector System	Wire-to-Board, Wire-to-Device
Sealable	Yes
Hybrid Connector	No
Primary Locking Feature	On the Terminal

Configuration Features

Number of Positions	25
Number of Rows	2

Electrical Characteristics

Operating Voltage	24 VDC
Nominal Voltage Architecture	12 V, 24 V

Body Features

Cable Exit Angle	90°
Body Material	PA GF
Primary Product Color	Black



Contact Features

Contact Size	2.8mm
--------------	-------

Mechanical Attachment

Mounting Feature	Without
Terminal Position Assurance	No
Strain Relief	Without
Mating Alignment Type	Polarized
Mating Alignment	With
Connector Mounting Type	Cable Mount (Free-Hanging)

Housing Features

Centerline (Pitch)	5 mm [.197 in]
--------------------	----------------

Dimensions

Product Width	25 mm [.984 in]
Product Length	100.3 mm [3.949 in]
Product Height	39.6 mm [1.559 in]
Row-to-Row Spacing	5.6 mm [.22 in]

Usage Conditions

Operating Temperature (Max)	70 °C, 75 °C, 80 °C, 85 °C, 90 °C, 100 °C, 105 °C [158 °F][167 °F][176 °F][185 °F][194 °F][212 °F][221 °F]
Operating Temperature Range	-30 – 105 °C [-22 – 221 °F]

Industry Standards

Degree of Protection	IP54K
----------------------	-------

Packaging Features

Packaging Method	Box
------------------	-----

Other

Serviceable	No
Connector Position Assurance Capable	No

Product Compliance

[For compliance documentation, visit the product page on TE.com>](#)

EU RoHS Directive 2011/65/EU	Compliant
------------------------------	-----------



EU ELV Directive 2000/53/EC	Compliant
China RoHS 2 Directive MIIT Order No 32, 2016	No Restricted Materials Above Threshold
EU REACH Regulation (EC) No. 1907/2006	Current ECHA Candidate List: JUNE 2022 (224) Candidate List Declared Against: JAN 2022 (223) SVHC > Threshold: Not Yet Reviewed
Halogen Content	Low Halogen - Br, Cl, F, I < 900 ppm per homogenous material. Also BFR/CFR/PVC Free
Solder Process Capability	Not applicable for solder process capability

Product Compliance Disclaimer

This information is provided based on reasonable inquiry of our suppliers and represents our current actual knowledge based on the information they provided. This information is subject to change. The part numbers that TE has identified as EU RoHS compliant have a maximum concentration of 0.1% by weight in homogenous materials for lead, hexavalent chromium, mercury, PBB, PBDE, DBP, BBP, DEHP, DIBP, and 0.01% for cadmium, or qualify for an exemption to these limits as defined in the Annexes of Directive 2011/65/EU (RoHS2). Finished electrical and electronic equipment products will be CE marked as required by Directive 2011/65/EU. Components may not be CE marked. Additionally, the part numbers that TE has identified as EU ELV compliant have a maximum concentration of 0.1% by weight in homogenous materials for lead, hexavalent chromium, and mercury, and 0.01% for cadmium, or qualify for an exemption to these limits as defined in the Annexes of Directive 2000/53/EC (ELV). Regarding the REACH Regulation, the information TE provides on SVHC in articles for this part number is based on the latest European Chemicals Agency (ECHA) 'Guidance on requirements for substances in articles' posted at this URL: <https://echa.europa.eu/guidance-documents/guidance-on-reach>

Compatible Parts

TE Part # CAT-LMPH9507
LOW & MEDIUM POWER HEADER

TE Part # 281812-1
COVER FOR 25W. SPLASH PROOF CO

Also in the Series | Junior Power Timer

Automotive Connector Caps & Covers (5)

Automotive Housings(225)

Automotive Seals & Cavity Plugs(10)

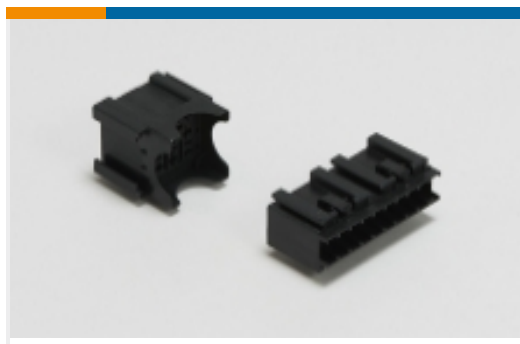
Automotive Terminals(82)



Busbars & Terminals(1)



Insertion & Extraction Tools(9)



Module Components(8)



Other Automotive Connector Accessories(1)

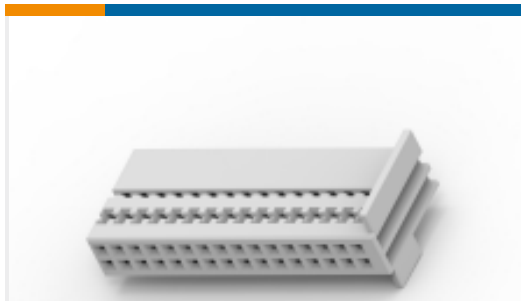


PCB Headers & Receptacles(1)

Customers Also Bought



TE Part #282194-1
SPLASH PROOF CONN. W.S.L.



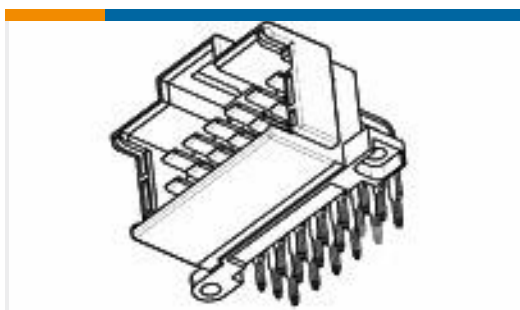
TE Part #1719059-1
32POS MQS REC



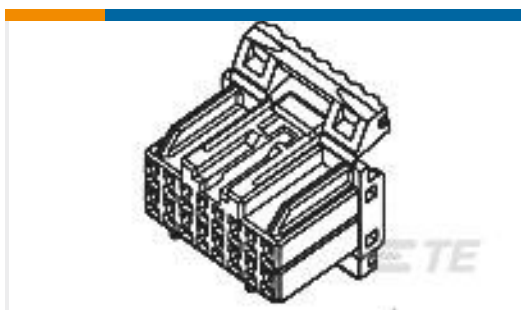
TE Part #42899-2
RING TONGUE 10-6 AWG TPBR



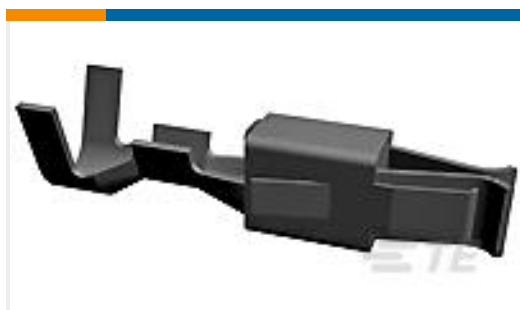
TE Part #2-34173-1
TERMINAL,PG R 12-10 3/8



TE Part #966140-5
MESSERLEISTE 6P



TE Part #174515-6
HYBRID I/O CONN PLUG HSG 22P



TE Part #927770-3
JPT REC 2.8 Contact SWS Sn



TE Part #1544603-1
1W 8MM NG1 SEALED CLIP ASSY
BLACK



TE Part #278414-000
RT-3-NO.2-0-COIL



TE Part #DRC26-50BT
BOOT, 50P, 20SZ, PLG/REC, ST, BLK

Documents



Product Drawings

SPLASH PROOF CONN 90 VERS

English

CAD Files

3D PDF

English

Customer View Model

[ENG_CVM_281810-2_D.2d_dxf.zip](#)

English

Customer View Model

[ENG_CVM_281810-2_D.3d_igs.zip](#)

English

Customer View Model

[ENG_CVM_281810-2_D.3d_stp.zip](#)

English

By downloading the CAD file I accept and agree to the [Terms and Conditions](#) of use.

Datasheets & Catalog Pages

Timer Interconnection System

English

Product Specifications

Product Specification

English

2-7-15 WAY SPLASE-PROOF CONNECTORS

English