

2282251-1 ✓ ACTIVE

MCON 1.2mm, MCON Interconnection System

TE Internal #: 2282251-1

Other Automotive Connector Accessories, Other, Wire-to-Wire, PA, Natural, -40 – 150 °C [-40 – 302 °F], MCON Interconnection System

[View on TE.com >](#)



Connectors > Automotive Connectors > Connector Accessories > Other Connector Accessories

Automotive Connector Accessory Type: **Other**

Connector System: **Wire-to-Wire**

Primary Product Material: **PA**

Primary Product Color: **Natural**

Operating Temperature Range: **-40 – 150 °C [-40 – 302 °F]**

Features

Product Type Features

Automotive Connector Accessory Type	Other
Connector System	Wire-to-Wire

Body Features

Primary Product Material	PA
Primary Product Color	Natural

Usage Conditions

Operating Temperature Range	-40 – 150 °C[-40 – 302 °F]
-----------------------------	----------------------------

Industry Standards

Industry Standard	LV214
UL Flammability Rating	None

Packaging Features

Packaging Quantity	1500
Packaging Method	Box

Other

Serviceable	No
-------------	----

Product Compliance

[For compliance documentation, visit the product page on TE.com>](#)

EU RoHS Directive 2011/65/EU	Compliant
EU ELV Directive 2000/53/EC	Compliant



China RoHS 2 Directive MIIT Order No 32, 2016	No Restricted Materials Above Threshold
EU REACH Regulation (EC) No. 1907/2006	Current ECHA Candidate List: JUNE 2022 (224) Candidate List Declared Against: JUL 2021 (219) SVHC > Threshold: Not Yet Reviewed
Halogen Content	Low Halogen - Br, Cl, F, I < 900 ppm per homogenous material. Also BFR/CFR/PVC Free
Solder Process Capability	Not reviewed for solder process capability

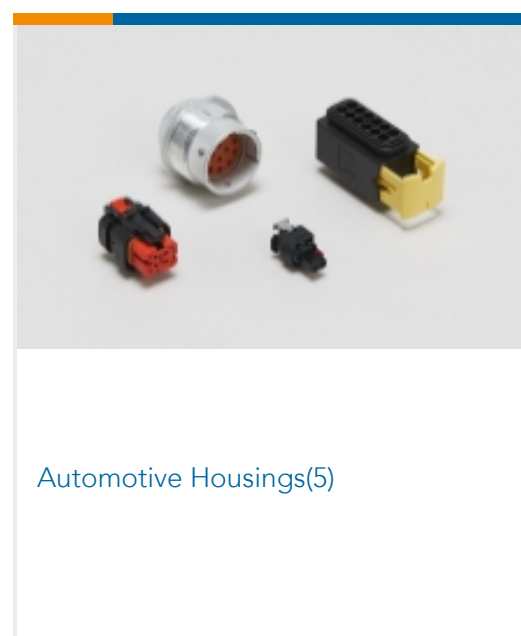
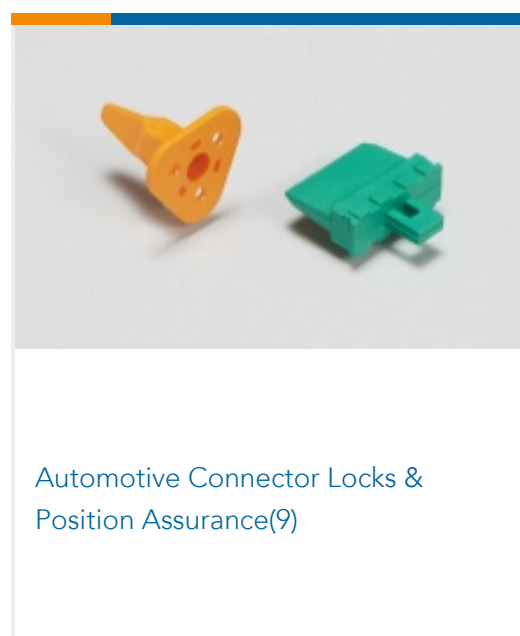
Product Compliance Disclaimer

This information is provided based on reasonable inquiry of our suppliers and represents our current actual knowledge based on the information they provided. This information is subject to change. The part numbers that TE has identified as EU RoHS compliant have a maximum concentration of 0.1% by weight in homogenous materials for lead, hexavalent chromium, mercury, PBB, PBDE, DBP, BBP, DEHP, DIBP, and 0.01% for cadmium, or qualify for an exemption to these limits as defined in the Annexes of Directive 2011/65/EU (RoHS2). Finished electrical and electronic equipment products will be CE marked as required by Directive 2011/65/EU. Components may not be CE marked. Additionally, the part numbers that TE has identified as EU ELV compliant have a maximum concentration of 0.1% by weight in homogenous materials for lead, hexavalent chromium, and mercury, and 0.01% for cadmium, or qualify for an exemption to these limits as defined in the Annexes of Directive 2000/53/EC (ELV). Regarding the REACH Regulation, the information TE provides on SVHC in articles for this part number is based on the latest European Chemicals Agency (ECHA) 'Guidance on requirements for substances in articles' posted at this URL: <https://echa.europa.eu/guidance-documents/guidance-on-reach>

Compatible Parts



Also in the Series | MCON 1.2mm





Automotive Terminals(11)



Insertion & Extraction Tools(5)

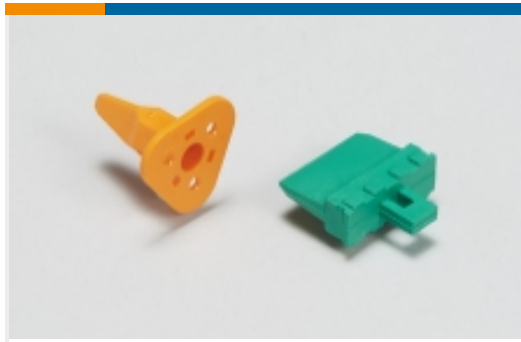


Other Automotive Connector Accessories(4)

Also in the Series | MCON Interconnection System



Automotive Connector Caps & Covers (24)



Automotive Connector Locks & Position Assurance(11)



Automotive Housings(288)



Automotive Seals & Cavity Plugs(4)



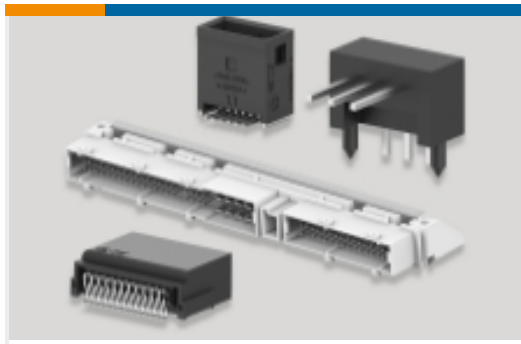
Automotive Terminals(113)



Insertion & Extraction Tools(31)



Other Automotive Connector Accessories(6)

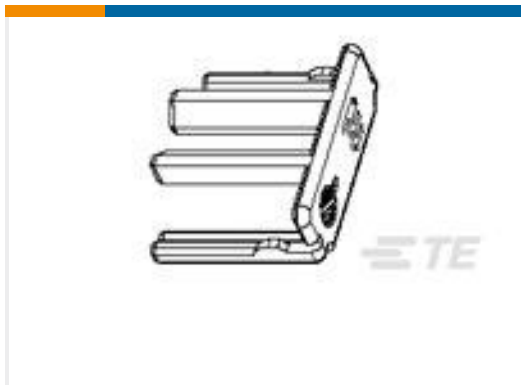


PCB Headers & Receptacles(1)

Customers Also Bought



TE Part #2141404-1
MQS, CONNECTOR HOUSING



TE Part #1563124-1
2. LOCK,10 POS FEM HOUSING



TE Part #2-1703930-1
NANOMQS, RECEPTACLE TERMINAL



TE Part #1670144-1
MCON, RECEPTACLE AND TAB



TE Part #2266260-1
OCEAN_2.0_APPLICATOR-S-062F134O



TE Part #2266637-1
OCEAN_2.0_APPLICATOR-S-090F160OV



TE Part #2836064-2
OCEAN_2.0_Applicator-S-110F170F



TE Part #1534131-4
MQS LOCKING DEVICE FOR4P



Documents

Product Drawings

[CABLE FIXATION,3 POSN, MCON 1.2, ASSY](#)

English

CAD Files

[3D PDF](#)

3D

Customer View Model

[ENG_CVM_CVM_2282251-1_A.2d_dxf.zip](#)

English

Customer View Model

[ENG_CVM_CVM_2282251-1_A.3d_igs.zip](#)

English

Customer View Model

[ENG_CVM_CVM_2282251-1_A.3d_stp.zip](#)

English

By downloading the CAD file I accept and agree to the [Terms and Conditions](#) of use.

Product Specifications

[Application Specification](#)

English