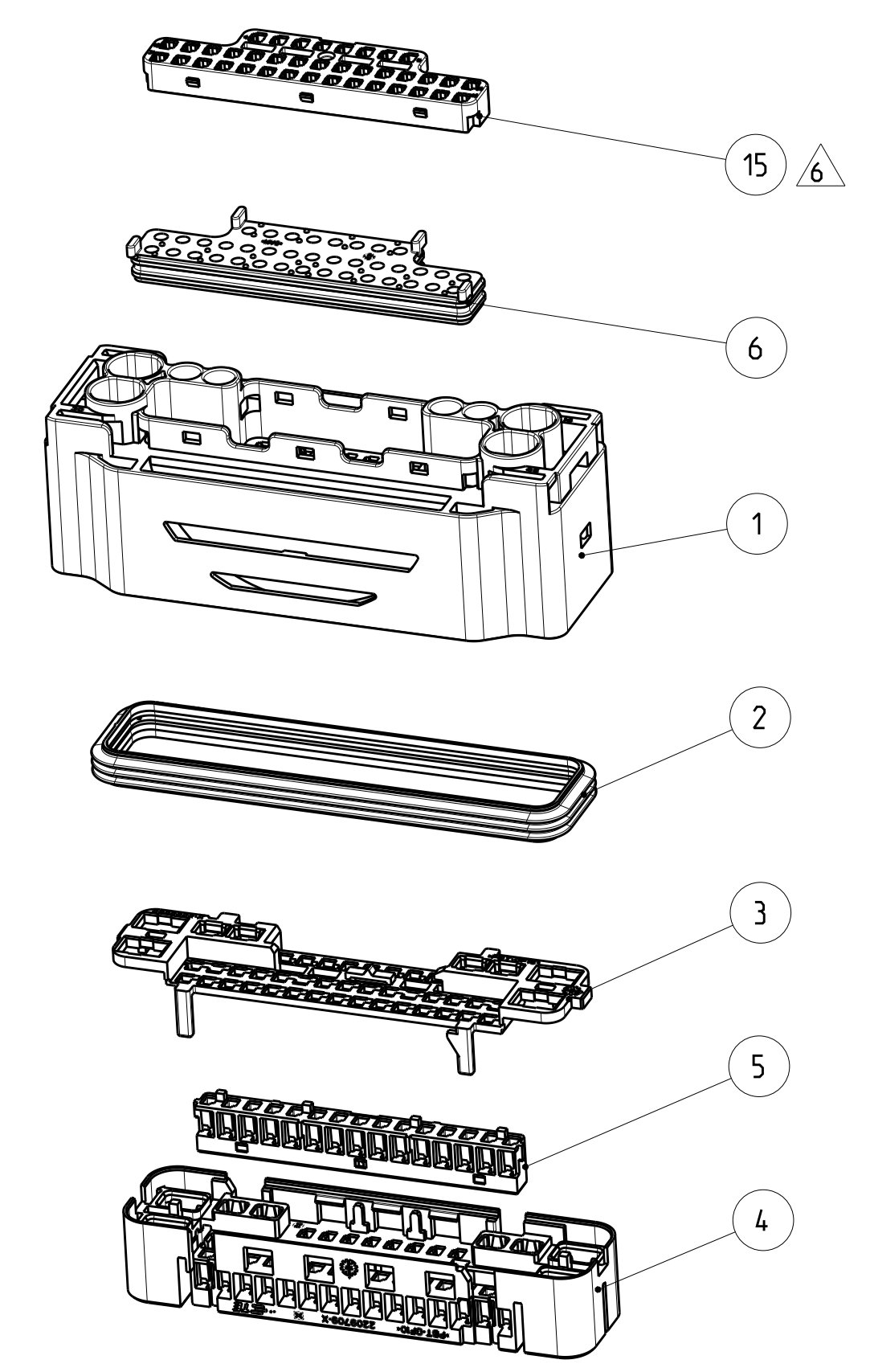
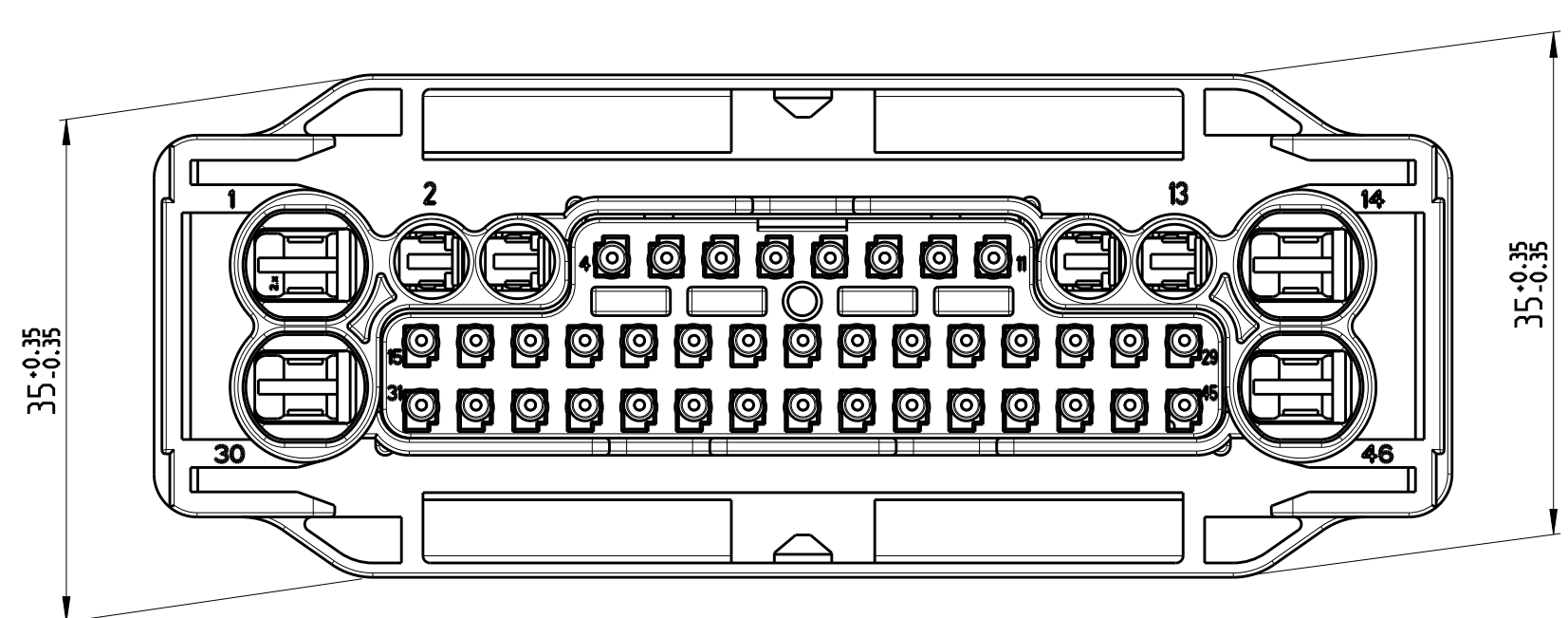
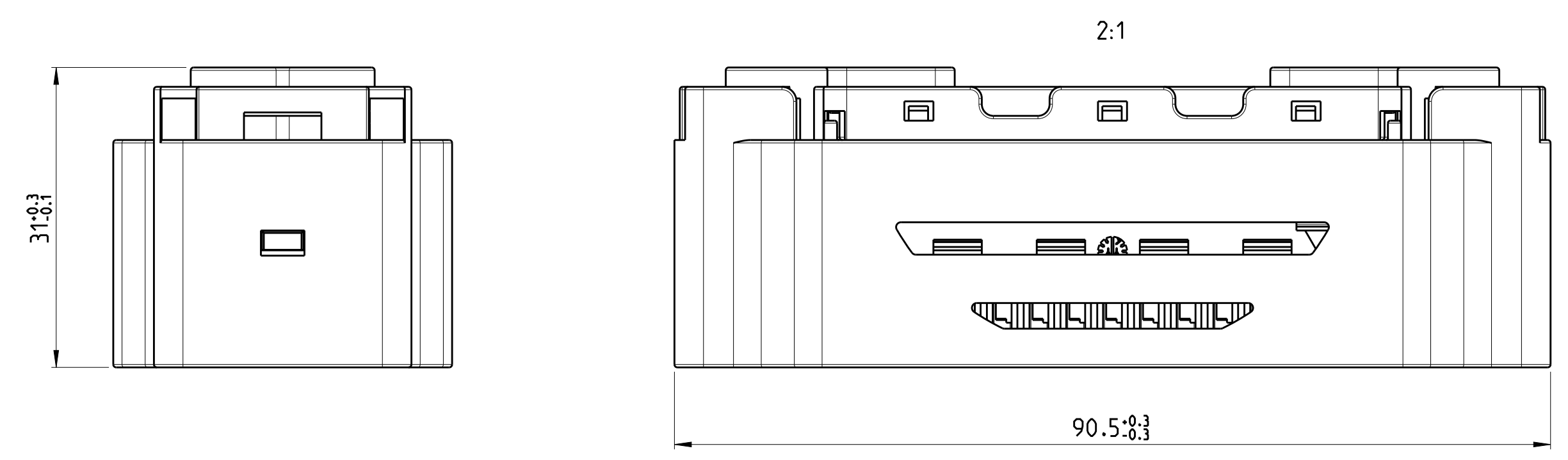
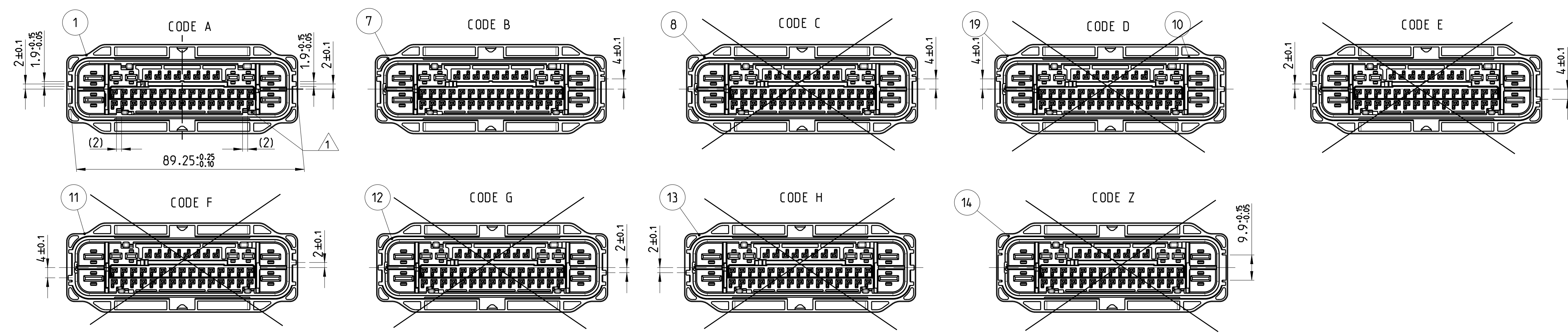
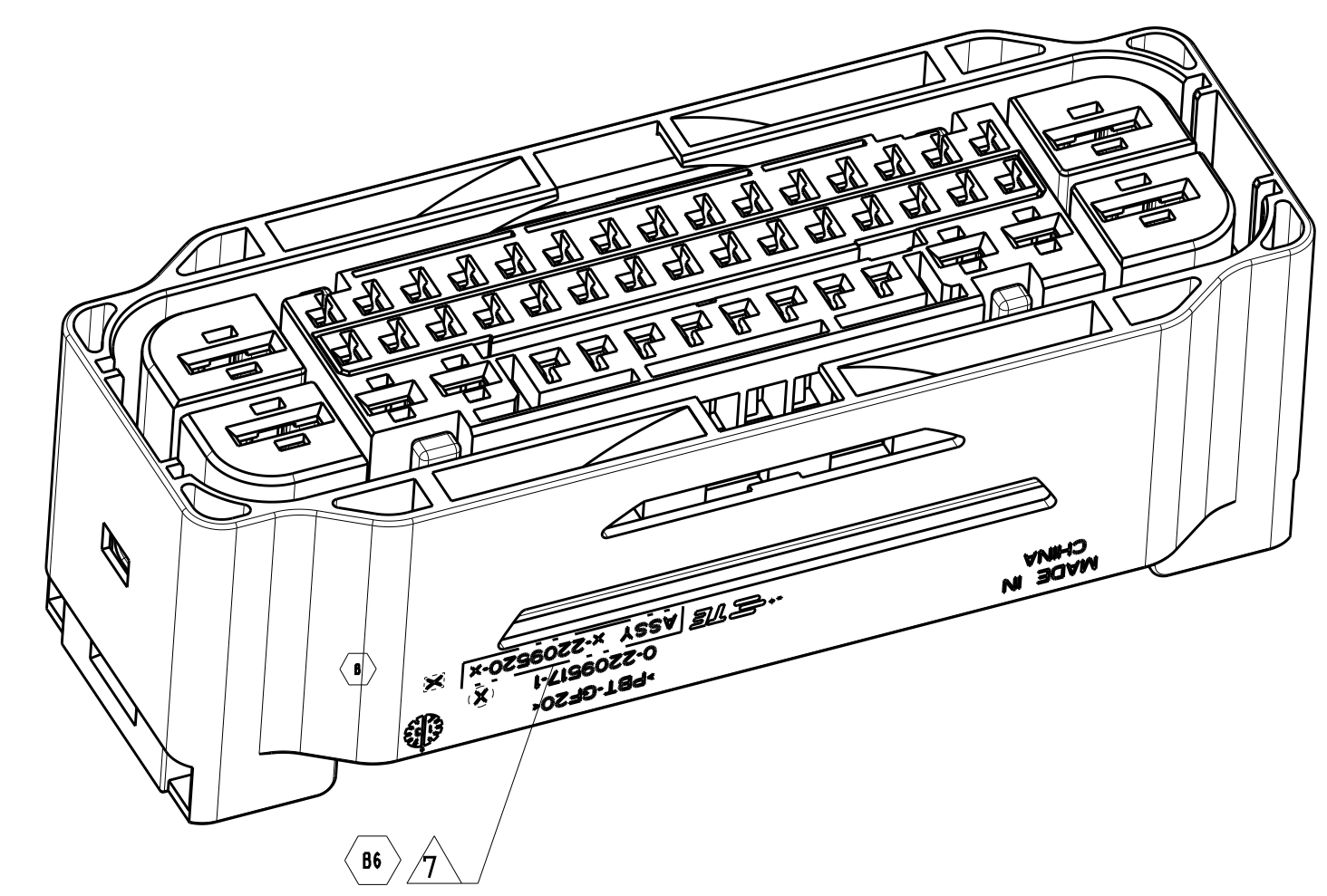


REVISONS		DATE	DNW	APVD
B4	ECR-17-016372 ADD NEW VARIANT	27NOV2017	T.D	E.J
B5	ECR-18-001880 ADD NEW VARIANT	07FEB2018	T.D	E.J
B6	ECR-18-005238 LASER MARKING OF ASSY PN	10APR2018	T.D	E.J
B7	ECR-18-016491 ADD NEW VARIANT	18OCT2018	S.C	I.Y



- NOTES
- ① RETAINER (3) IN PRE-LOCKED CONDITION
 - 2 USED WITH 2209521 (COVER ASSY)
 - 3 PACKING: LAYERS IN BOX
 - 4 TE ASSY NO., SEE TABLE
 - 5 SUITABLE CONTACTS, E.G. :
 MCON 1.2 CB 1534594-1 FOR 0.35MM2
 AMP MCP 2.8K 1241394-1 FOR 0.5-1MM2
 AMP MCP 4.8K 1241414-1 FOR 1.5-2.5MM2
 - ⑥ FOR ITEM 15, DETAIL VARIANT(PIN OUT FORM) SEE TABLE OF PAGE 2
 - ⑦ ASSY P/N NEED LASER MARKING IN ASSY LINE



COD	TE ASSY-NO	COLOR	MATERIAL	DESCRIPTION	QTY.	ITEM NO
B	0-2209845-6	NATURAL	PBT-GF20	SEAL COVER	1	18
		LIGHT BLUE	SILICONE	FAMILY SEAL	1	6
		BLACK	PBT-GF10	CAVITY BLOCK	1	5
		BLACK	PBT-GF10	CAVITY BLOCK	1	4
		VIOLET	PBT-GF15	RETAINER	1	3
		NATURAL	SILICONE	SEALING	1	2
		BLACK	PBT-GF20	HOUSING 46 POS.	1	7
A	0-2209520-6	NATURAL	PBT-GF20	SEAL COVER	1	18
		LIGHT BLUE	SILICONE	FAMILY SEAL	1	6
		BLACK	PBT-GF10	CAVITY BLOCK	1	5
		BLACK	PBT-GF10	CAVITY BLOCK	1	4
		VIOLET	PBT-GF15	RETAINER	1	3
		NATURAL	SILICONE	SEALING	1	2
		BLACK	PBT-GF20	HOUSING 46 POS.	1	1
B	0-2209845-5	NATURAL	PBT-GF20	SEAL COVER	1	17
		LIGHT BLUE	SILICONE	FAMILY SEAL	1	6
		BLACK	PBT-GF10	CAVITY BLOCK	1	5
		BLACK	PBT-GF10	CAVITY BLOCK	1	4
		VIOLET	PBT-GF15	RETAINER	1	3
		NATURAL	SILICONE	SEALING	1	2
		BLACK	PBT-GF20	HOUSING 46 POS.	1	7
A	0-2209520-5	NATURAL	PBT-GF20	SEAL COVER	1	17
		LIGHT BLUE	SILICONE	FAMILY SEAL	1	6
		BLACK	PBT-GF10	CAVITY BLOCK	1	5
		BLACK	PBT-GF10	CAVITY BLOCK	1	4
		VIOLET	PBT-GF15	RETAINER	1	3
		NATURAL	SILICONE	SEALING	1	2
		BLACK	PBT-GF20	HOUSING 46 POS.	1	1
B	0-2209845-4	NATURAL	PBT-GF20	SEAL COVER	1	16
		LIGHT BLUE	SILICONE	FAMILY SEAL	1	6
		BLACK	PBT-GF10	CAVITY BLOCK	1	5
		BLACK	PBT-GF10	CAVITY BLOCK	1	4
		VIOLET	PBT-GF15	RETAINER	1	3
		NATURAL	SILICONE	SEALING	1	2
		BLACK	PBT-GF20	HOUSING 46 POS.	1	7
A	0-2209520-4	NATURAL	PBT-GF20	SEAL COVER	1	16
		LIGHT BLUE	SILICONE	FAMILY SEAL	1	6
		BLACK	PBT-GF10	CAVITY BLOCK	1	5
		BLACK	PBT-GF10	CAVITY BLOCK	1	4
		VIOLET	PBT-GF15	RETAINER	1	3
		NATURAL	SILICONE	SEALING	1	2
		BLACK	PBT-GF20	HOUSING 46 POS.	1	1
B	9-2209845-9	NATURAL	PBT-GF20	SEAL COVER	1	15
		LIGHT BLUE	SILICONE	FAMILY SEAL	1	6
		BLACK	PBT-GF10	CAVITY BLOCK	1	5
		BLACK	PBT-GF10	CAVITY BLOCK	1	4
		VIOLET	PBT-GF15	RETAINER	1	3
		NATURAL	SILICONE	SEALING	1	2
		BLACK	PBT-GF20	HOUSING 46 POS.	1	7
A	9-2209520-9	NATURAL	PBT-GF20	SEAL COVER	1	15
		LIGHT BLUE	SILICONE	FAMILY SEAL	1	6
		BLACK	PBT-GF10	CAVITY BLOCK	1	5
		BLACK	PBT-GF10	CAVITY BLOCK	1	4
		VIOLET	PBT-GF15	RETAINER	1	3
		NATURAL	SILICONE	SEALING	1	2
		BLACK	PBT-GF20	HOUSING 46 POS.	1	1

THIS DRAWING IS A CONTROLLED DOCUMENT.

DMW: J.ZONG 04-MAR-13
 CW: A.DANG 04-MAR-13
 APVD: LYJIN 04-MAR-13

NAME: 46 POS REC HSG. ASSY
 MCON 1.2CB, MCP 2.8/4.8 mm

SIZE: 100-101281
 APPLICATION SPEC

WEIGHT: 58.8g
 Customer Drawing

SCALE: 1:1 SHEET 1 OF 2 REV: B7

