

284858-1 ✓ ACTIVE

AMP | AMP MCP 1.5K, AMP MCP 2.8, AMP MCP Connector System

TE Internal #: 284858-1

Housing for Male Terminals, Wire-to-Wire, 12 Position, .165 in / .183 in [4.2 mm / 4.65 mm] Centerline, Black, Signal, Hybrid

[View on TE.com >](#)



Connectors > Automotive Connectors > Connector Housings > AMP MCP, SEALED CONNECTOR HOUSING



Connector & Housing Type: **Housing for Male Terminals**

Mating Tab Width: **1.6 mm, 2.8 mm** [.063 in, .11 in]

Connector System: **Wire-to-Wire**

Number of Positions: **12**

Centerline (Pitch): **4.2 mm, 4.65 mm** [.165 in, .183 in]

[All AMP MCP, SEALED CONNECTOR HOUSING \(158\)](#)

Features

Product Type Features

| | |
|---------------------------|----------------------------|
| Connector & Housing Shape | Rectangular |
| Connector & Housing Type | Housing for Male Terminals |
| Connector System | Wire-to-Wire |
| Sealable | No |
| Hybrid Connector | No |
| Primary Locking Feature | On the Terminal |

Configuration Features

| | |
|---------------------|----|
| Number of Positions | 12 |
| Number of Rows | 2 |

Electrical Characteristics

| | |
|------------------------------|------------|
| Operating Voltage | 24 VDC |
| Nominal Voltage Architecture | 12 V, 24 V |

Body Features

| | |
|-----------------------|-------|
| Cable Exit Angle | 180° |
| Body Material | PA GF |
| Primary Product Color | Black |

Contact Features



| | |
|------------------|----------------------------------|
| Contact Size | 1.6mm, 2.8mm |
| Contact Type | Tab |
| Mating Tab Width | 1.6 mm, 2.8 mm [.063 in][.11 in] |

Mechanical Attachment

| | |
|-----------------------------|----------------------------|
| Mounting Feature | Without |
| Terminal Position Assurance | Yes |
| Strain Relief | Without |
| Mating Alignment Type | Polarizing Rib |
| Mating Alignment | With |
| Connector Mounting Type | Cable Mount (Free-Hanging) |

Housing Features

| | |
|--------------------|------------------------------------|
| Centerline (Pitch) | 4.2 mm, 4.65 mm [.165 in][.183 in] |
|--------------------|------------------------------------|

Dimensions

| | |
|--------------------|--------------------|
| Product Width | 20.8 mm [.819 in] |
| Product Length | 34.3 mm [1.35 in] |
| Product Height | 38.7 mm [1.524 in] |
| Row-to-Row Spacing | 3.4 mm [.134 in] |

Usage Conditions

| | |
|-----------------------------|--|
| Operating Temperature (Max) | 70 °C, 75 °C, 80 °C, 85 °C, 90 °C, 100 °C, 105 °C [158 °F][167 °F][176 °F][185 °F][194 °F][212 °F][221 °F] |
| Operating Temperature Range | -25 – 105 °C [-13 – 221 °F] |

Operation/Application

| | |
|---------------------|--------|
| Circuit Application | Signal |
|---------------------|--------|

Packaging Features

| | |
|--------------------|-----|
| Packaging Quantity | 900 |
| Packaging Method | Box |

Other

| | |
|--------------------------------------|-----|
| Serviceable | Yes |
| Connector Position Assurance Capable | No |

Product Compliance

For compliance documentation, visit the product page on [TE.com](https://www.te.com)>



| | |
|---|---|
| EU RoHS Directive 2011/65/EU | Compliant |
| EU ELV Directive 2000/53/EC | Compliant |
| China RoHS 2 Directive MIIT Order No 32, 2016 | No Restricted Materials Above Threshold |
| EU REACH Regulation (EC) No. 1907/2006 | Current ECHA Candidate List: JUNE 2022 (224) Candidate List Declared Against: JUNE 2022 (224) Does not contain REACH SVHC |
| Halogen Content | Low Halogen - Br, Cl, F, I < 900 ppm per homogenous material. Also BFR/CFR/PVC Free |
| Solder Process Capability | Not applicable for solder process capability |

Product Compliance Disclaimer

This information is provided based on reasonable inquiry of our suppliers and represents our current actual knowledge based on the information they provided. This information is subject to change. The part numbers that TE has identified as EU RoHS compliant have a maximum concentration of 0.1% by weight in homogenous materials for lead, hexavalent chromium, mercury, PBB, PBDE, DBP, BBP, DEHP, DIBP, and 0.01% for cadmium, or qualify for an exemption to these limits as defined in the Annexes of Directive 2011/65/EU (RoHS2). Finished electrical and electronic equipment products will be CE marked as required by Directive 2011/65/EU. Components may not be CE marked. Additionally, the part numbers that TE has identified as EU ELV compliant have a maximum concentration of 0.1% by weight in homogenous materials for lead, hexavalent chromium, and mercury, and 0.01% for cadmium, or qualify for an exemption to these limits as defined in the Annexes of Directive 2000/53/EC (ELV). Regarding the REACH Regulation, the information TE provides on SVHC in articles for this part number is based on the latest European Chemicals Agency (ECHA) 'Guidance on requirements for substances in articles' posted at this URL: <https://echa.europa.eu/guidance-documents/guidance-on-reach>

Compatible Parts



Also in the Series | **AMP MCP 1.5K**



Automotive Connector Caps & Covers (1)



Automotive Housings(103)

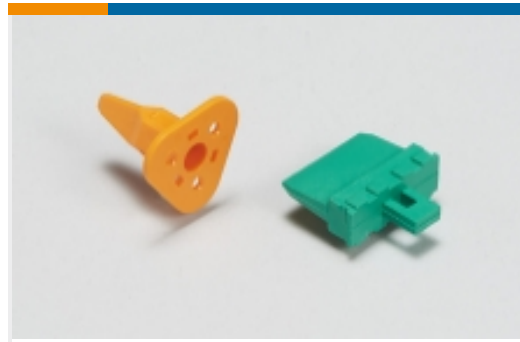


Insertion & Extraction Tools(1)

Also in the Series | AMP MCP 2.8



Automotive Connector Caps & Covers (1)



Automotive Connector Locks & Position Assurance(6)



Automotive Housings(179)



Automotive Seals & Cavity Plugs(1)



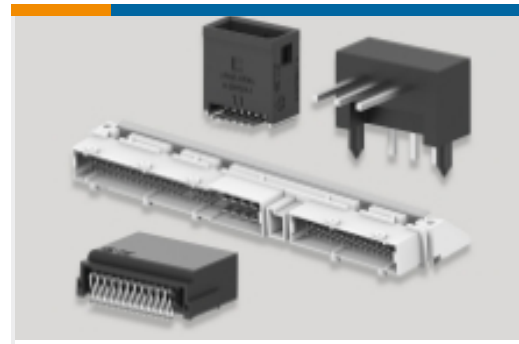
Automotive Terminals(6)



Insertion & Extraction Tools(6)



Module Components(1)

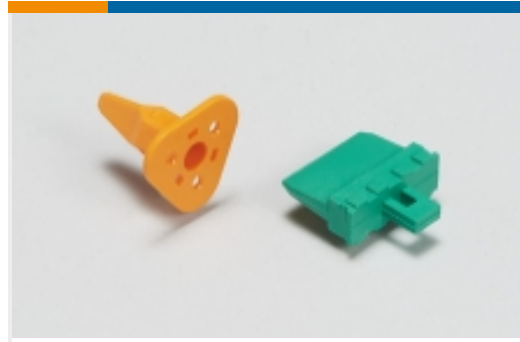


PCB Headers & Receptacles(1)

Also in the Series | AMP MCP Connector System



Automotive Connector Caps & Covers (24)



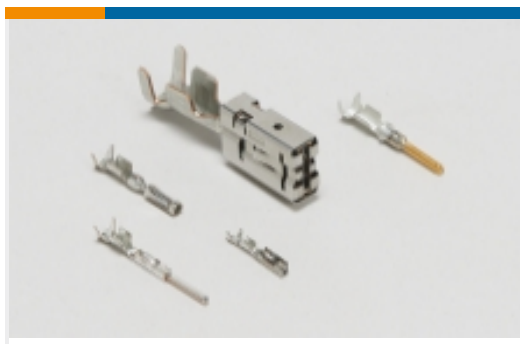
Automotive Connector Locks & Position Assurance(7)



Automotive Housings(352)



Automotive Seals & Cavity Plugs(6)



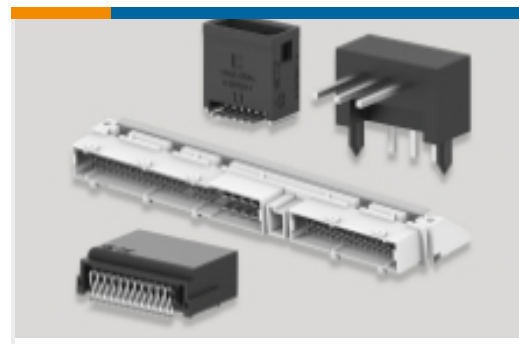
Automotive Terminals(125)



Insertion & Extraction Tools(13)



Other Automotive Connector Accessories(2)



PCB Headers & Receptacles(29)

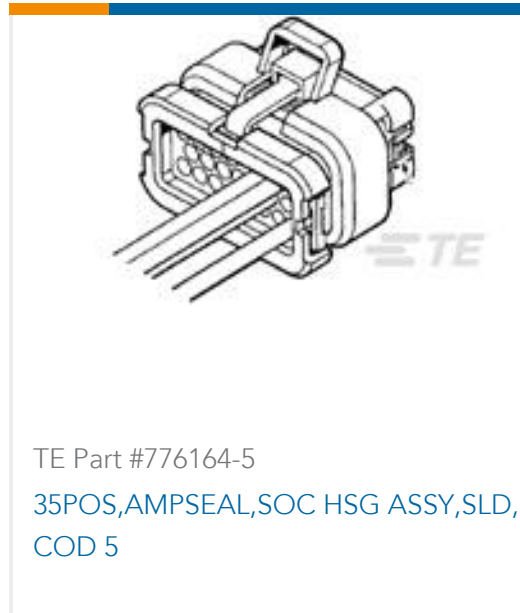
Customers Also Bought



TE Part #353716-2
DYNAMIC D-3 TAB CONT. 3L AU 0.38



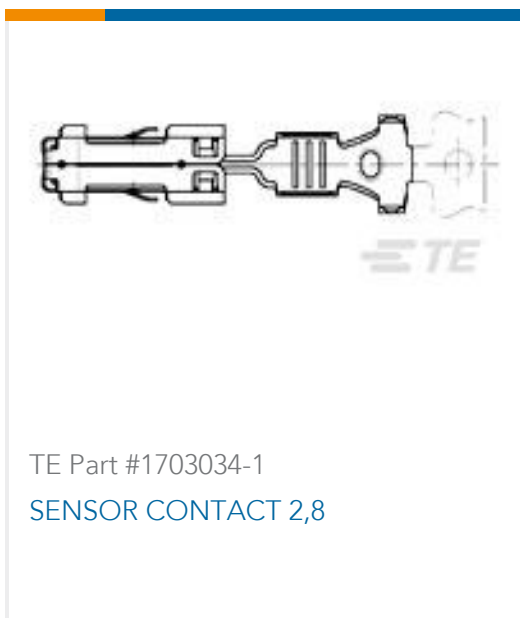
TE Part #2-1718644-1
3POS, MCON 1.2 LL REC SEALED



TE Part #776164-5
35POS,AMPSEAL,SOC HSG ASSY,SLD, COD 5



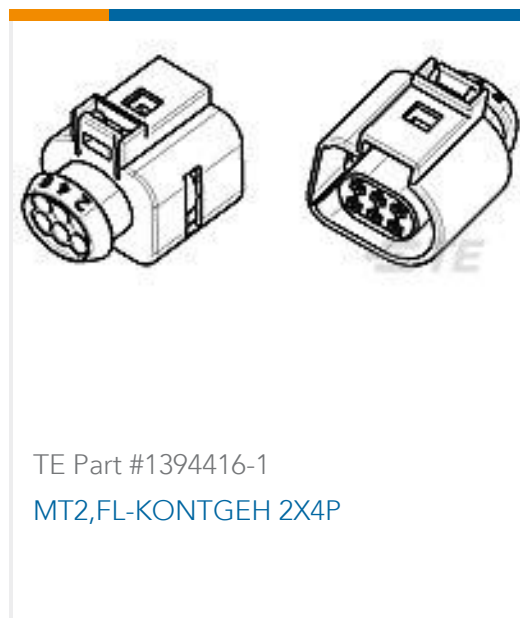
TE Part #DT04-12PA-C015
DEUTSCH DT Series Housings & Connectors



TE Part #1703034-1
SENSOR CONTACT 2,8



TE Part #964267-2
TAB A 1.6x0.6 CONTACT CF SRC Sn



TE Part #1394416-1
MT2,FL-KONTGEH 2X4P



TE Part #1-1393277-4
V23076A3001C132



TE Part #10142031-00
H2TD3670 GEN2 RH/T MODULE

Documents

Product Drawings

12 POS MALE HOUSING ASS'Y

English

CAD Files

3D PDF

3D

Customer View Model

ENG_CVM_CVM_284858-1_D.2d_dxf.zip



English

Customer View Model

[ENG_CVM_CVM_284858-1_D.3d_igs.zip](#)

English

Customer View Model

[ENG_CVM_CVM_284858-1_D.3d_stp.zip](#)

English

By downloading the CAD file I accept and agree to the [Terms and Conditions](#) of use.

Product Specifications

[12 POS. HYBRID CONNECTOR UNSEALED FOR AMPMCP 1.5 AND 2.8 CONTACTS](#)

English

[12 POS. HYBRID CONNECTOR UNSEALED FOR AMPMCP 1.5 AND 2.8 CONTACTS](#)

English

Instruction Sheets

[12POS. AMPMCP1.5AND 2.8 MALE AND FEMALE HYBRID UNSEALED CONNECTOR](#)

English

[Instruction Sheet \(non U.S.\)](#)

English