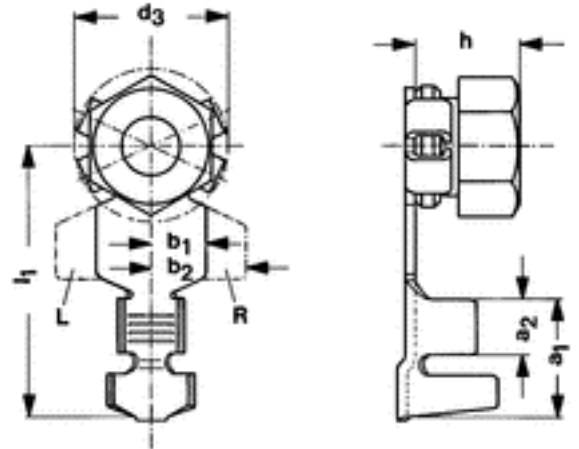




Characteristics and dimensions of terminals

Part number	26407.212.179
Specification	Claw terminal for M4 screw connection
Material	CuSn
Surface / Colour	frSn 3
Form	Chain form
Transport	Normal transverse transport
Assembly	X
Packing unit / piece	1300
Section area (mm ²)	0.75-1.50
Nominal size	M4-1.5
Material thickness (mm)	0.80
Footnote	Without keying
a ₁	7.70
a ₂	4.00
b ₁	5.50
d ₃	12.00
h	8.50
l ₁	21.70



Note: The drawing only gives an overview of the geometry of the part. The crimp area is shown as supplied in strip form. A technical drawing is available on request.

Part list		
Specification	Material	Surface / Colour
Hexagonal screw M4	SMnPb	Zn 6 C
Claw terminal	CuSn	frSn 3

[Contents of your inquiry](#)

Packing Units (per 1300 pieces)

CW