



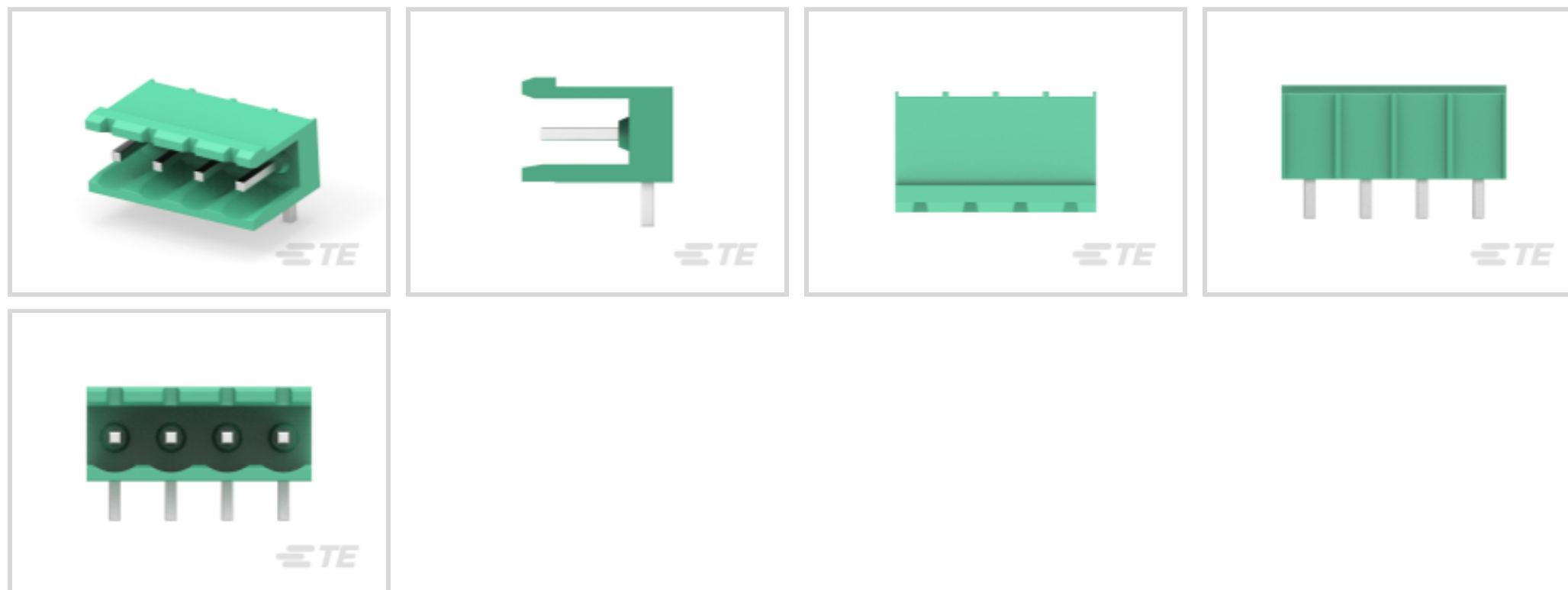
**Buchanan**

TE Internal #: 282812-4

PCB Terminal Blocks, Header, Wire-to-Board, 4 Position, .197 in [5 mm] Centerline, 1 Row, 15 A, 300 VAC, Printed Circuit Board, Power & Signal

[View on TE.com >](#)

Connectors > Terminal Blocks & Strips > PCB Terminal Blocks



Terminal Block Connector Type: **Header**

Connector System: **Wire-to-Board**

Number of Positions: **4**

Centerline (Pitch): **5 mm [ .197 in ]**

Number of Rows: **1**

**Features**

**Product Type Features**

Block Type	PCB Mount
Header Type	Partially Shrouded
Terminal Block Connector Type	Header
Connector System	Wire-to-Board
Connector & Contact Terminates To	Printed Circuit Board

**Configuration Features**

Threaded Flange	Without
Closed End	Without
Number of Positions	4
Number of Rows	1

**Electrical Characteristics**

Current Rating (Max)	15 A
Voltage Rating	300 VAC

**Body Features**



Interlock	Without
-----------	---------

### Contact Features

Contact Mating Area Plating Material	Tin
Contact Mount	Through Hole
Contact Base Material	Copper Magnesium
Contact Current Rating (Max)	15 A

### Mechanical Attachment

Mating Angle	90°
Screwless Terminal Block	No
Mounting Angle	Right Angle
Screw Flange	Without
Connector Mounting Type	Board Mount

### Housing Features

Housing Color	Green
Housing Material	PA 66
Centerline (Pitch)	5 mm [.197 in]

### Dimensions

PCB Tail Length	3.5 mm [.138 in]
-----------------	------------------

### Usage Conditions

Operating Temperature Range	-40 – 105 °C [-40 – 221 °F]
-----------------------------	-----------------------------

### Operation/Application

Circuit Application	Power & Signal
---------------------	----------------

### Packaging Features

Packaging Quantity	150
--------------------	-----

### Product Compliance

[For compliance documentation, visit the product page on TE.com>](#)

EU RoHS Directive 2011/65/EU	Compliant
EU ELV Directive 2000/53/EC	Compliant
China RoHS 2 Directive MIIT Order No 32, 2016	No Restricted Materials Above Threshold
EU REACH Regulation (EC) No. 1907/2006	Current ECHA Candidate List: JUNE 2022 (224)



Candidate List Declared Against: JAN 2022  
(223)  
SVHC > Threshold:  
Not Yet Reviewed

Halogen Content  
Low Halogen - Br, Cl, F, I < 900 ppm per homogenous material. Also BFR/CFR/PVC Free

Solder Process Capability

Wave solder capable to 265°C

Product Compliance Disclaimer

This information is provided based on reasonable inquiry of our suppliers and represents our current actual knowledge based on the information they provided. This information is subject to change. The part numbers that TE has identified as EU RoHS compliant have a maximum concentration of 0.1% by weight in homogenous materials for lead, hexavalent chromium, mercury, PBB, PBDE, DBP, BBP, DEHP, DIBP, and 0.01% for cadmium, or qualify for an exemption to these limits as defined in the Annexes of Directive 2011/65/EU (RoHS2). Finished electrical and electronic equipment products will be CE marked as required by Directive 2011/65/EU. Components may not be CE marked. Additionally, the part numbers that TE has identified as EU ELV compliant have a maximum concentration of 0.1% by weight in homogenous materials for lead, hexavalent chromium, and mercury, and 0.01% for cadmium, or qualify for an exemption to these limits as defined in the Annexes of Directive 2000/53/EC (ELV). Regarding the REACH Regulation, the information TE provides on SVHC in articles for this part number is based on the latest European Chemicals Agency (ECHA) 'Guidance on requirements for substances in articles' posted at this URL: <https://echa.europa.eu/guidance-documents/guidance-on-reach>

### Compatible Parts

TE Part # 282805-4  
TERMI-BLOK PLUG STACKING 4POS.

TE Part # 284046-4  
TERMI-BLOK VERTICAL PLUG STACK

TE Part # 1546118-4  
4POS.5MM VERT.PLUG LH BLCK

TE Part # 796641-4  
4 POS 5.0 MM R/A PLUG,TRM BLK

TE Part # 796640-4  
4 POS 5.0 MM R/A PLUG,TRM BLK

TE Part # 284040-4  
TERMI-BLOK VERTICAL PLUG STACK

TE Part # 1546557-4  
4P,SCREWLESS CLIP PLUG,5.0MM

TE Part # 796698-4  
TERMI-BLOK HEADER,ASSY90 4P.

### Customers Also Bought



TE Part #207464-7  
HDP-20, PLUG, SIZE 3, 25 POSN



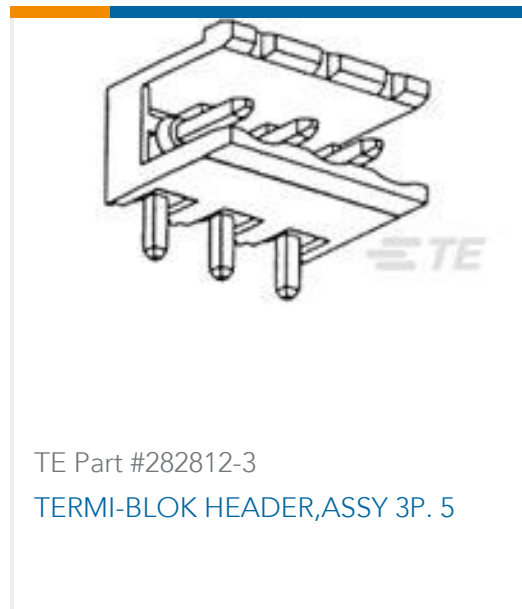
TE Part #207516-5  
HDP-20, RCPT, SIZE 3, 25 POSN, CL



TE Part #205209-2  
RECP ASSY SIZE 4



TE Part #1-1879213-1  
CPF 0402 33R2 0.1% 25PPM 1K RL



TE Part #282812-3  
TERMI-BLOK HEADER, ASSY 3P. 5



TE Part #2-2176338-3  
CRGCQ 0402 4K7 5%



TE Part #2-2176316-3  
MELF SMA\_A 6K8 0.1% 15PPM 0207 1W



TE Part #2-1969570-8  
ASSY, HDR, VERT, GWT, BOSSED, DUAL ROW, EP2.5



TE Part #228553-1  
SMB COMMML BLKHD ADAPTER

## Documents

### Product Drawings

[TERMI-BLOK HEADER, ASSY 4P. 5](#)

English

### CAD Files

[3D PDF](#)

3D

Customer View Model

[ENG\\_CVM\\_CVM\\_282812-4\\_C.2d\\_dxf.zip](#)

English

Customer View Model

[ENG\\_CVM\\_CVM\\_282812-4\\_C.3d\\_igs.zip](#)

English

Customer View Model

[ENG\\_CVM\\_CVM\\_282812-4\\_C.3d\\_stp.zip](#)

English

[3D PDF](#)

English



**Customer View Model**

[ENG\\_CVM\\_282812-4\\_D.2d\\_dxf.zip](#)

English

**Customer View Model**

[ENG\\_CVM\\_282812-4\\_D.3d\\_igs.zip](#)

English

**Customer View Model**

[ENG\\_CVM\\_282812-4\\_D.3d\\_stp.zip](#)

English

By downloading the CAD file I accept and agree to the [Terms and Conditions](#) of use.

---

**Datasheets & Catalog Pages**

[BUCHANAN TERMINAL BLOCKS CATALOG - EUROSTYLE TERMINAL BLOCKS](#)

English

[BUCHANAN PCB TERMINAL BLOCKS](#)

English

[1-1773458-1\\_EURO\\_STYLE\\_TERMINAL\\_BLOCKS\\_QRG](#)

English

---

**Product Specifications**

[Application Specification](#)

English

---

**Product Environmental Compliance**

[Product Compliance](#)

English

[Product Compliance](#)

English