

# DIN 41612 EUROCARD CONNECTOR



## 2232 SERIES. Female right angle. Type Half Q Connectors

Circuit Size	Configuration	Part Number			
		PCB Solder 4mm	Wrap post tail length 13mm	Wrap post tail length 17mm	-
16	a	2232 - T061	-	-	-
16	a + b	2232 - T161	-	-	-
32	a + b	2232 - T321	-	-	-

a	0.30 x 0.63
4	PCB Solder

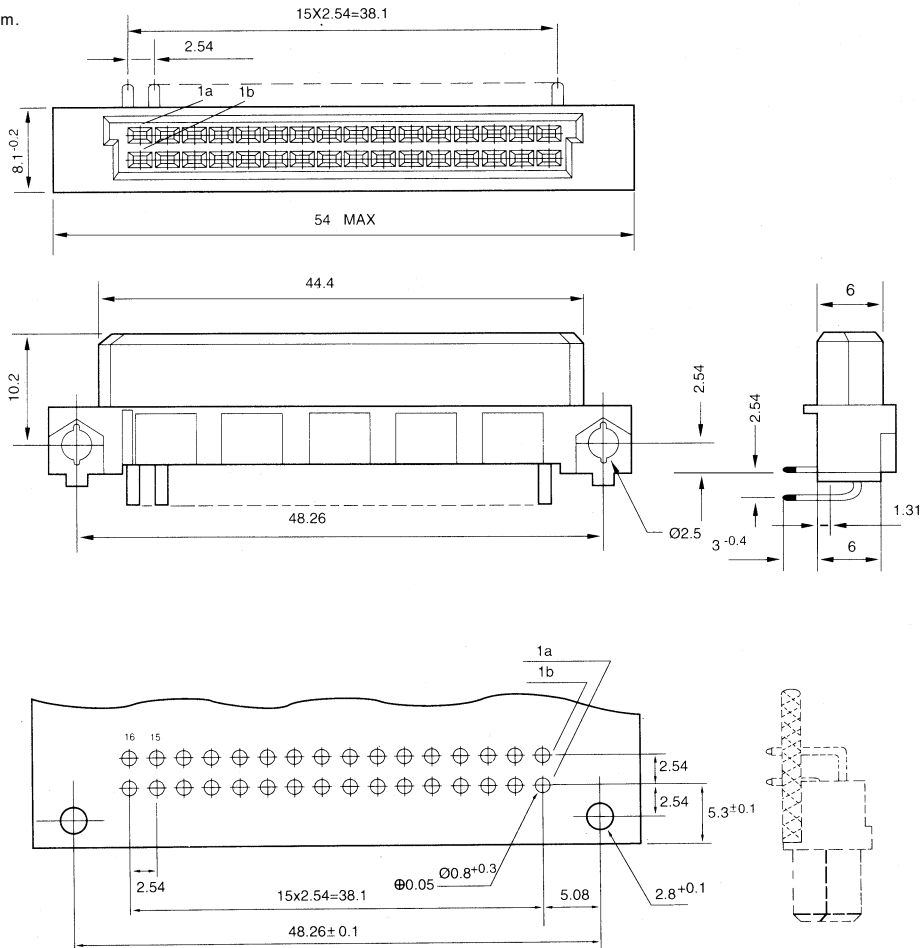
a	□ 0.60 x 0.69
13	Wrap post

a	□ 0.60 x 0.69
17	Wrap post

### T = Plating and class connector

- T = 3. 0.20μ" over 1.27μ" Ni. 200 cycles class 2B
- T = 4. 0.38μ" over 1.27μ" Ni. 400 cycles class 2
- T = 5. 0.76μ" over 1.27μ" Ni. 500 cycles class 1

Unit: mm.



RECOMMENDED HOLE PATTERN