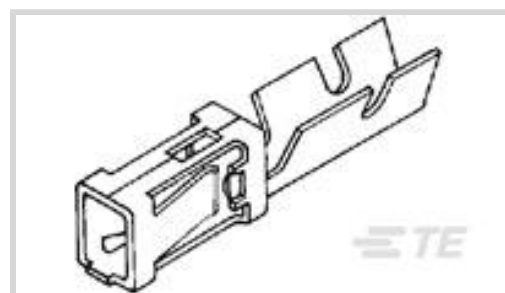




Connectors > PCB Connectors > Board-to-Board Connectors > Board-to-Board Connector Contacts



Contact Type: **Socket**

Connector System: **Board-to-Board**

Centerline (Pitch): **3.81 mm [.15 in]**

Contact Mating Area Plating Material: **Gold**

Wire Size: **22 – 18 AWG**

Features

Product Type Features

Applied Pressure	Standard
Connector System	Board-to-Board
Connector & Contact Terminates To	Wire & Cable

Contact Features

Contact Mating Area Plating Material Thickness	.4 μm[15.748 μin]
PCB Contact Termination Area Plating Material	Gold Flash
Contact Base Material	Phosphor Bronze
Contact Type	Socket
Contact Mating Area Plating Material	Gold
Contact Orientation	Straight
Contact Current Rating (Max)	5 A

Mechanical Attachment

Wire Insulation Support	With
PCB Mount Retention	Without
Connector Mounting Type	Board Mount

Housing Features

Centerline (Pitch)	3.81 mm[.15 in]
--------------------	-----------------

Dimensions



Accepts Wire Insulation Diameter Range	1.8 – 2.3 mm [.071 – .091 in]
--	-------------------------------

Wire Size	.3 – .9 mm ²
-----------	-------------------------

Usage Conditions

Operating Temperature Range	-40 – 105 °C [-40 – 221 °F]
-----------------------------	-----------------------------

Operation/Application

Circuit Application	Signal
---------------------	--------

Packaging Features

Packaging Quantity	5000
--------------------	------

Packaging Method	Package
------------------	---------

Product Compliance

[For compliance documentation, visit the product page on TE.com>](#)

EU RoHS Directive 2011/65/EU	Compliant
------------------------------	-----------

EU ELV Directive 2000/53/EC	Compliant
-----------------------------	-----------

China RoHS 2 Directive MIIT Order No 32, 2016	No Restricted Materials Above Threshold
---	---

EU REACH Regulation (EC) No. 1907/2006	Current ECHA Candidate List: JUNE 2022 (224) Candidate List Declared Against: JAN 2022 (223) SVHC > Threshold: Not Yet Reviewed
--	--

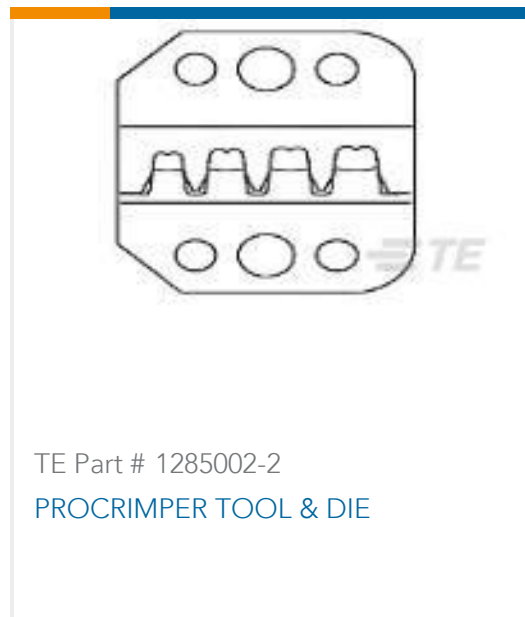
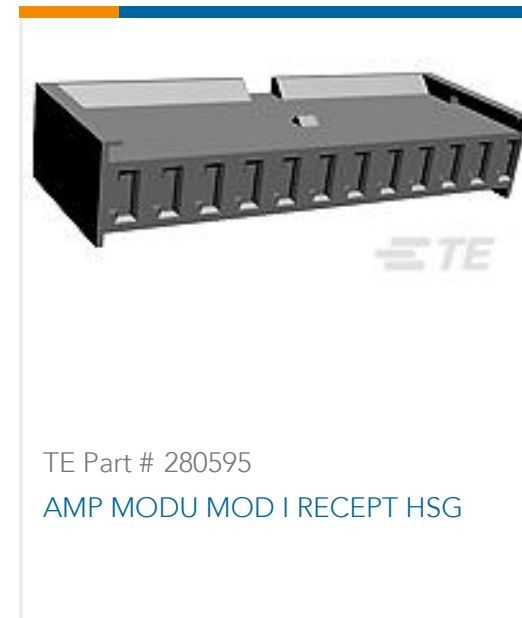
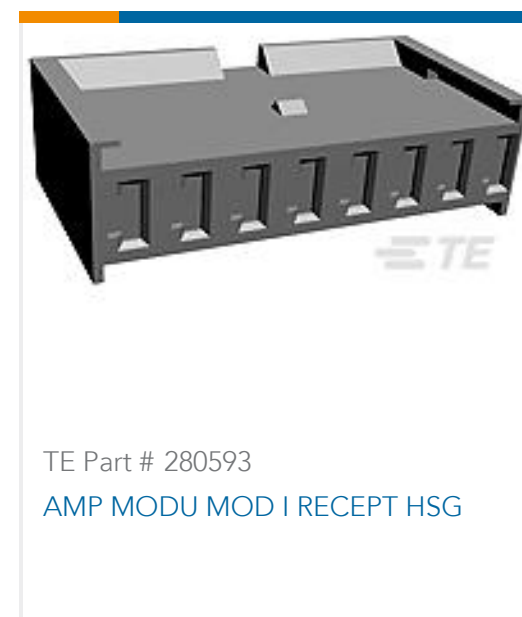
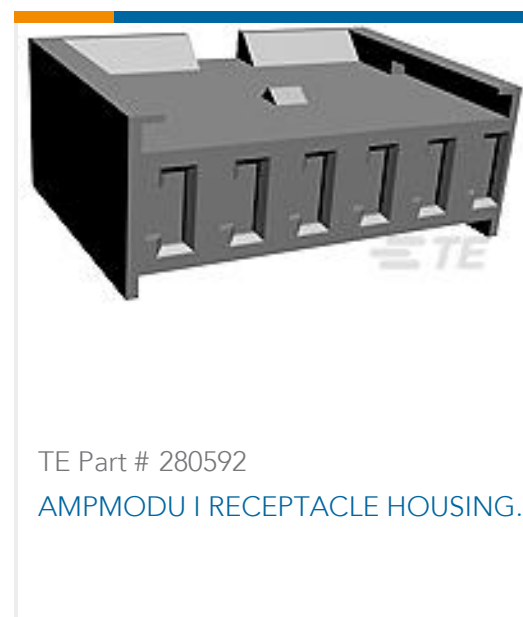
Halogen Content	Low Halogen - Br, Cl, F, I < 900 ppm per homogenous material. Also BFR/CFR/PVC Free
-----------------	---

Solder Process Capability	Not applicable for solder process capability
---------------------------	--

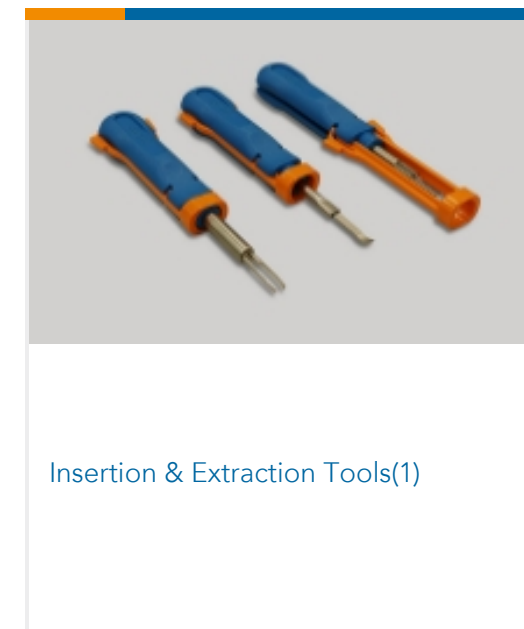
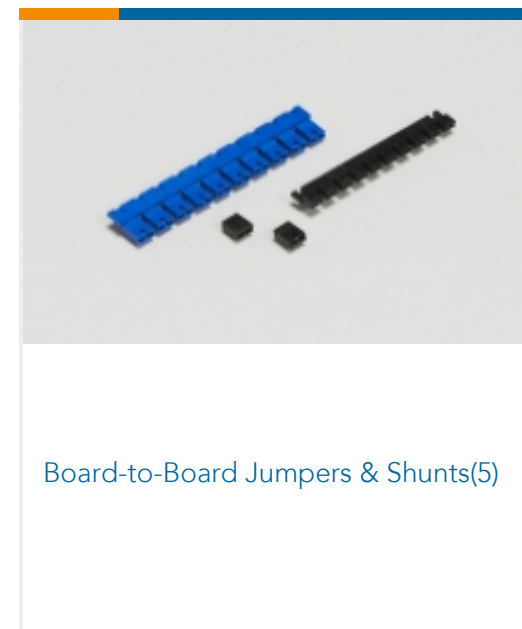
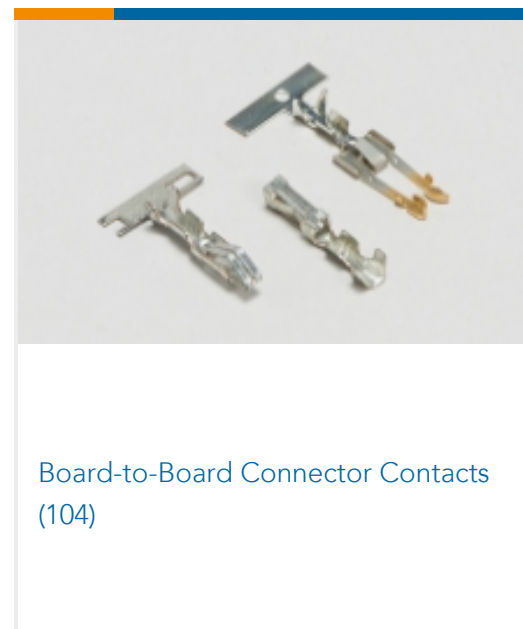
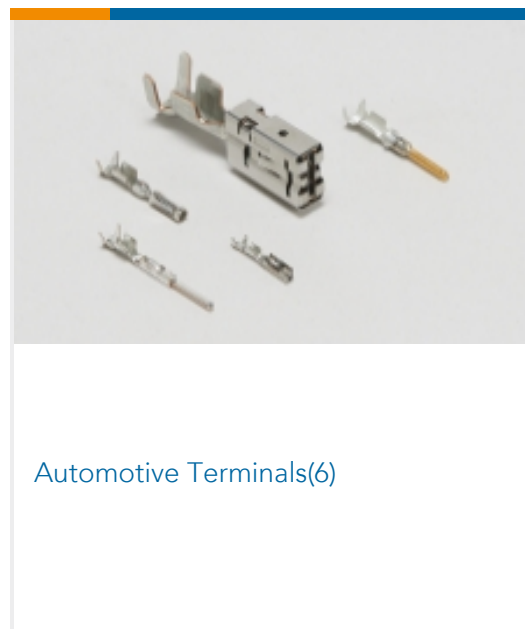
Product Compliance Disclaimer

This information is provided based on reasonable inquiry of our suppliers and represents our current actual knowledge based on the information they provided. This information is subject to change. The part numbers that TE has identified as EU RoHS compliant have a maximum concentration of 0.1% by weight in homogenous materials for lead, hexavalent chromium, mercury, PBB, PBDE, DBP, BBP, DEHP, DIBP, and 0.01% for cadmium, or qualify for an exemption to these limits as defined in the Annexes of Directive 2011/65/EU (RoHS2). Finished electrical and electronic equipment products will be CE marked as required by Directive 2011/65/EU. Components may not be CE marked. Additionally, the part numbers that TE has identified as EU ELV compliant have a maximum concentration of 0.1% by weight in homogenous materials for lead, hexavalent chromium, and mercury, and 0.01% for cadmium, or qualify for an exemption to these limits as defined in the Annexes of Directive 2000/53/EC (ELV). Regarding the REACH Regulation, the information TE provides on SVHC in articles for this part number is based on the latest European Chemicals Agency (ECHA) 'Guidance on requirements for substances in articles' posted at this URL: <https://echa.europa.eu/guidance-documents/guidance-on-reach>

Compatible Parts

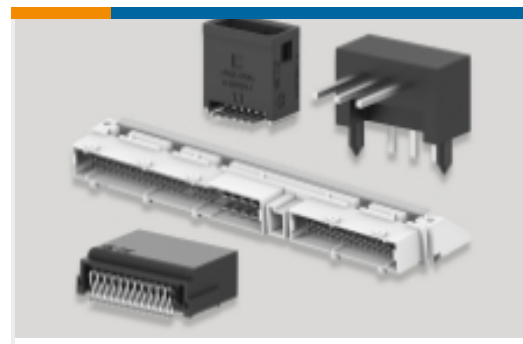


Also in the Series | **AMPMODU MOD 1**





PCB Connector Keying(2)



PCB Headers & Receptacles(372)



Wire-to-Board Connector Assemblies & Housings(44)



Wire-to-Board Connector Contacts(2)

Customers Also Bought



TE Part #167294-1
25P HDP20 PLUG ASSY



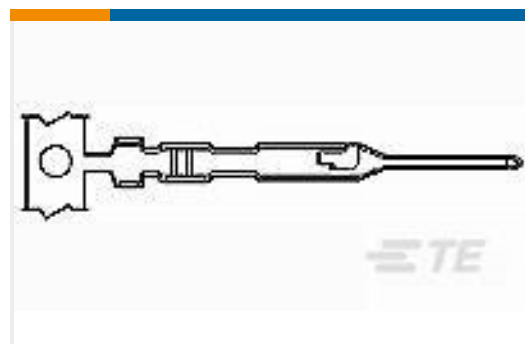
TE Part #166054-1
HD20 PIN CONTACT



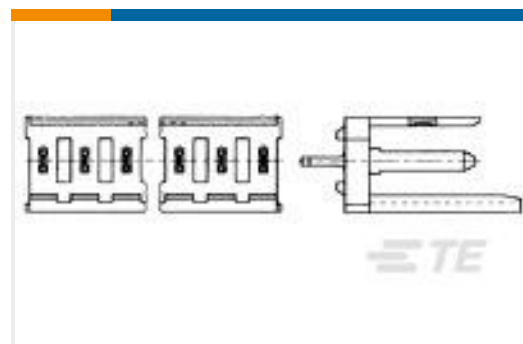
TE Part #1579007-9
EXTRACTION TOOL



TE Part #2-520083-2
ULTRA-FAST .110/.125 ASY REC 22-18
TPBR



TE Part #5-104505-6
MTE PIN 22-26 AWG PLTD



TE Part #280615-2
MOD I INCREMENTAL ASSY



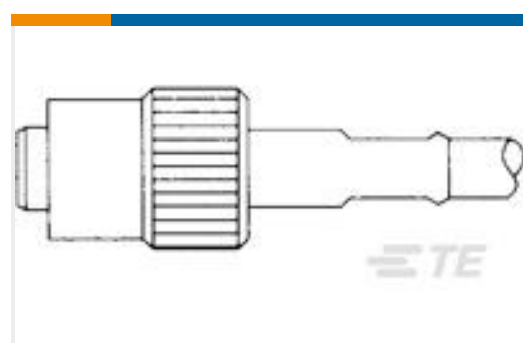
TE Part #926476-3
MOD 4 HSG



TE Part #926476-9
MOD 4 HSG



TE Part #1-330599-0
MIN. THD. RECEPT. KIT



TE Part #1-330723-0
MIN THD PLUG KIT

Documents

[Product Drawings](#)
[MOD I CONT STRIP](#)

English

[CAD Files](#)

[3D PDF](#)

3D

[Customer View Model](#)

[ENG_CVM_CVM_280621-2_AD.2d_dxf.zip](#)



English

Customer View Model

[ENG_CVM_CVM_280621-2_AD.3d_igs.zip](#)

English

Customer View Model

[ENG_CVM_CVM_280621-2_AD.3d_stp.zip](#)

English

[3D PDF](#)

English

Customer View Model

[ENG_CVM_280621-2_N1.3d_igs.zip](#)

English

Customer View Model

[ENG_CVM_280621-2_N1.3d_stp.zip](#)

English

Customer View Model

[ENG_CVM_280621-2_N1.2d_dxf.zip](#)

English

By downloading the CAD file I accept and agree to the [Terms and Conditions](#) of use.

Product Specifications

[Application Specification](#)

English

Product Environmental Compliance

[Product Compliance](#)

English

[Product Compliance](#)

English