

2299282-3 ✓ ACTIVE

POD-LOK | POD-LOK 250

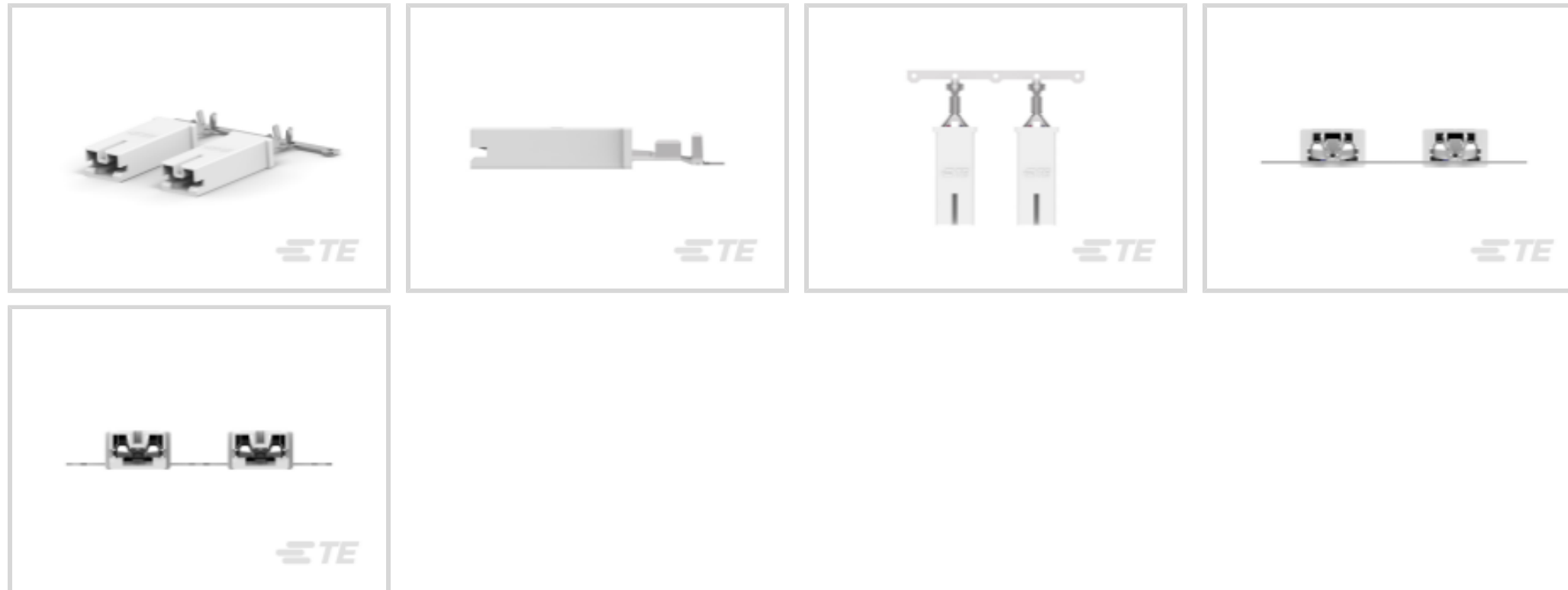
TE Internal #: 2299282-3

Quick Disconnects, Receptacle, 12 AWG Wire Size, 2 – 3.31 mm²
Wire Size, Mating Tab Width .25 in [6.35 mm], Straight, Brass, Tin
Plating, POD-LOK 250

[View on TE.com >](#)



Terminals & Splices > Quick Disconnects > POD LOK: Straight, Receptacle Assembly, Tin Plated, 0.25 inch



Quick Disconnect Terminal Type: **Receptacle**

Wire Size: **2 – 3.31 mm²**

Mating Tab Width: **6.35 mm [.25 in]**

Mating Tab Thickness: **.81 mm [.032 in]**

[All POD LOK: Straight, Receptacle Assembly, Tin Plated, 0.25 inch \(6\)](#)

Features

Product Type Features

Terminates To	Wire & Cable
Wire/Cable Type	Regular Wire
Insertion Force	Low
Sealable	No

Configuration Features

Connection Capacity	Single
---------------------	--------

Electrical Characteristics

Voltage (Max)	600 V
---------------	-------

Contact Features

Quick Disconnect Terminal Type	Receptacle
Mating Tab Width	6.35 mm[.25 in]
Mating Tab Thickness	.81 mm[.032 in]
Terminal Orientation	Straight



Contact Base Material	Brass
Terminal Plating Material	Tin
Crimp Type	F-Crimp
Barrel Type	Open

Mechanical Attachment

Wire Insulation Support	With
-------------------------	------

Dimensions

Accepts Wire Insulation Diameter Range	3.4 – 5.08 mm [.134 – .2 in]
Receptacle Terminal Stock Thickness	.41 mm [.016 in]
Wire Size	2 – 3.31 mm ²

Usage Conditions

Insulation Option	Uninsulated
Operating Temperature Range	-40 – 110 °C [-40 – 230 °F]

Industry Standards

UL Rating	Recognized
UL Flammability Rating	UL 94V-0

Packaging Features

Packaging Quantity	2300
Packaging Method	Strip/Reel

Product Compliance

[For compliance documentation, visit the product page on TE.com>](#)

EU RoHS Directive 2011/65/EU	Compliant
EU ELV Directive 2000/53/EC	Compliant
China RoHS 2 Directive MIIT Order No 32, 2016	No Restricted Materials Above Threshold
EU REACH Regulation (EC) No. 1907/2006	Current ECHA Candidate List: JUNE 2022 (224) Candidate List Declared Against: JAN 2022 (223) SVHC > Threshold: Not Yet Reviewed
Halogen Content	Not Low Halogen - contains Br or Cl > 900 ppm.
Solder Process Capability	Not reviewed for solder process capability



Product Compliance Disclaimer

This information is provided based on reasonable inquiry of our suppliers and represents our current actual knowledge based on the information they provided. This information is subject to change. The part numbers that TE has identified as EU RoHS compliant have a maximum concentration of 0.1% by weight in homogenous materials for lead, hexavalent chromium, mercury, PBB, PBDE, DBP, BBP, DEHP, DIBP, and 0.01% for cadmium, or qualify for an exemption to these limits as defined in the Annexes of Directive 2011/65/EU (RoHS2). Finished electrical and electronic equipment products will be CE marked as required by Directive 2011/65/EU. Components may not be CE marked. Additionally, the part numbers that TE has identified as EU ELV compliant have a maximum concentration of 0.1% by weight in homogenous materials for lead, hexavalent chromium, and mercury, and 0.01% for cadmium, or qualify for an exemption to these limits as defined in the Annexes of Directive 2000/53/EC (ELV). Regarding the REACH Regulation, the information TE provides on SVHC in articles for this part number is based on the latest European Chemicals Agency (ECHA) 'Guidance on requirements for substances in articles' posted at this URL: <https://echa.europa.eu/guidance-documents/guidance-on-reach>

Compatible Parts



TE Part # 2299286-1
 POD-LOK 187 STR. AWG 24-20 PTPBR GF



TE Part # 2299286-2
 POD-LOK 187 STR. AWG 20-16 PTPBR GF



TE Part # CAT-P842-2504
 POD LOK: Straight, Receptacle Assembly, Tin Plated, 0.25 inch



TE Part # 3-2299286-1
 POD-LOK 187 STR. AWG 24-20 PTPBR




TE Part # 3-2299286-2
 POD-LOK 187 STR. AWG 24-20 PTPBR

Also in the Series | **POD-LOK 250**

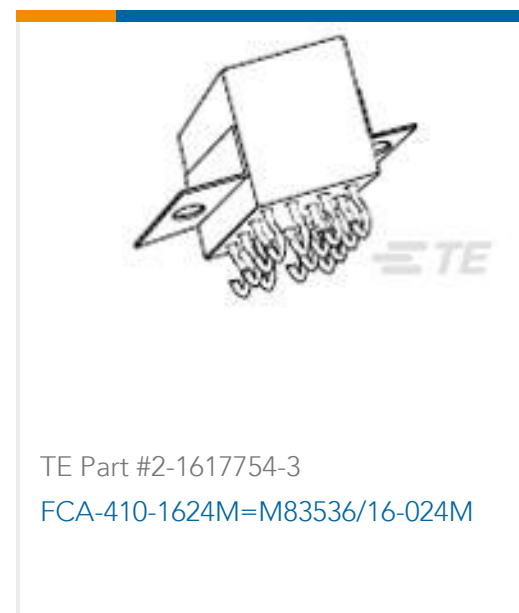
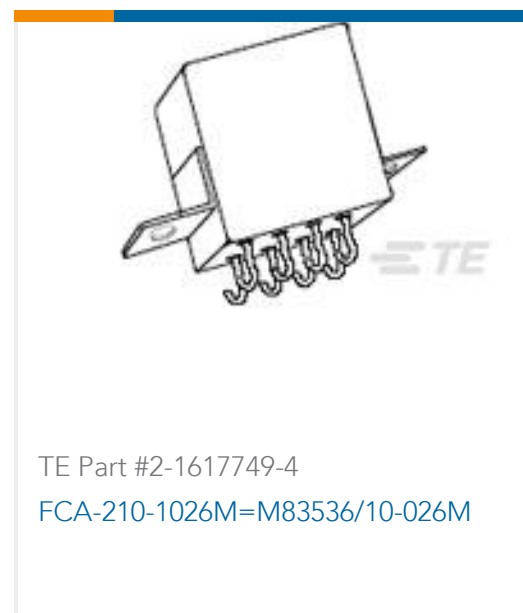
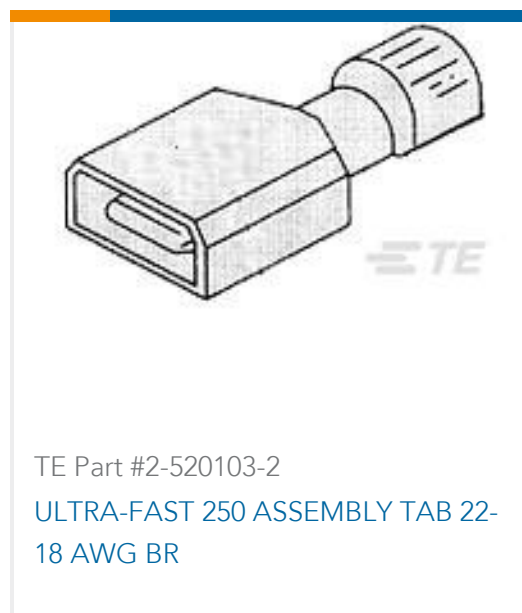
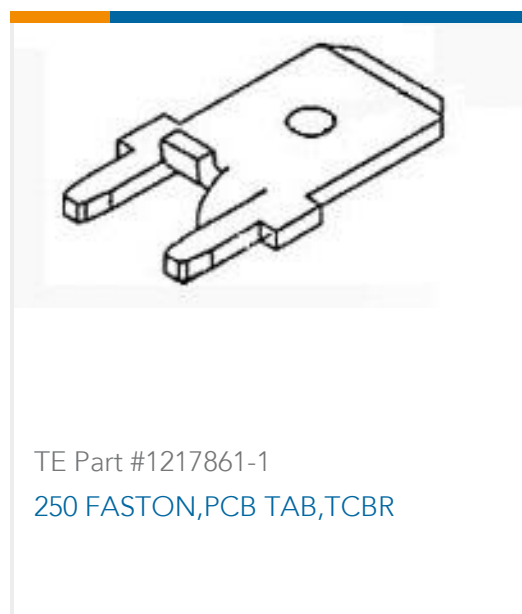


Insulation Boots & Sleeves(1)



Quick Disconnects(6)

Customers Also Bought



Documents

Product Drawings

[POD-LOK 250 STR. AWG 14-12 TPBR GF](#)

English

CAD Files

[3D PDF](#)

3D

Customer View Model

[ENG_CVM_CVM_2299282-3_A.2d_dxf.zip](#)

English

Customer View Model

[ENG_CVM_CVM_2299282-3_A.3d_igs.zip](#)

English

Customer View Model

[ENG_CVM_CVM_2299282-3_A.3d_stp.zip](#)

English

By downloading the CAD file I accept and agree to the [Terms and Conditions](#) of use.

Datasheets & Catalog Pages



[pod-lok_receptacles_qrg](#)

English

[Product Specifications](#)

[Application Specification](#)

English

[Product Environmental Compliance](#)

[TE Material Declaration](#)

English

[Agency Approvals](#)

[VDE Certificate](#)

English