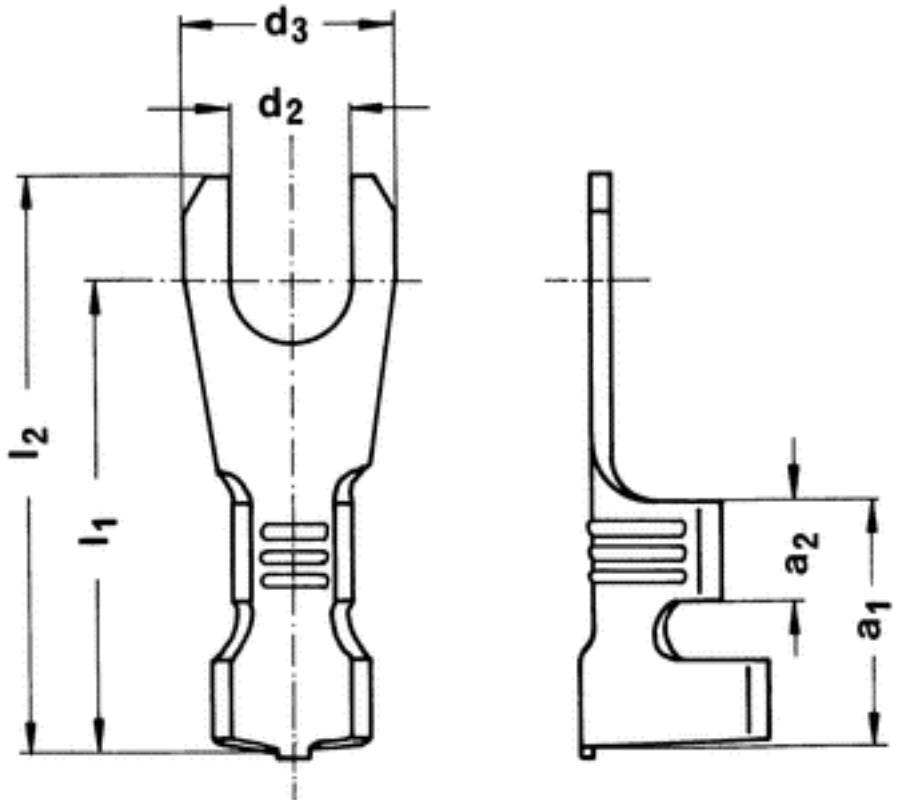




Characteristics and dimensions of terminals

Part number	25230.123.011
Specification	Fork terminal
Material	CuZn
Surface / Colour	Sn 3
Form	Chain form
Transport	Longitudinal transport
Single part	X
Packing unit / piece	3000
Section area (mm ²)	4.00-6.00
DIN	ähnlich 46225 Form B
Nominal size	B4-6
Material thickness (mm)	0.80
a ₁	10.75
a ₂	4.50
d ₂	4.30
d ₃	8.00
l ₁	21.00
l ₂	24.75



Note: The drawing only gives an overview of the geometry of the part. The crimp area is shown as supplied in strip form. A technical drawing is available on request.

[Contents of your inquiry](#)

Packing Units (per 3000 pieces)

CW