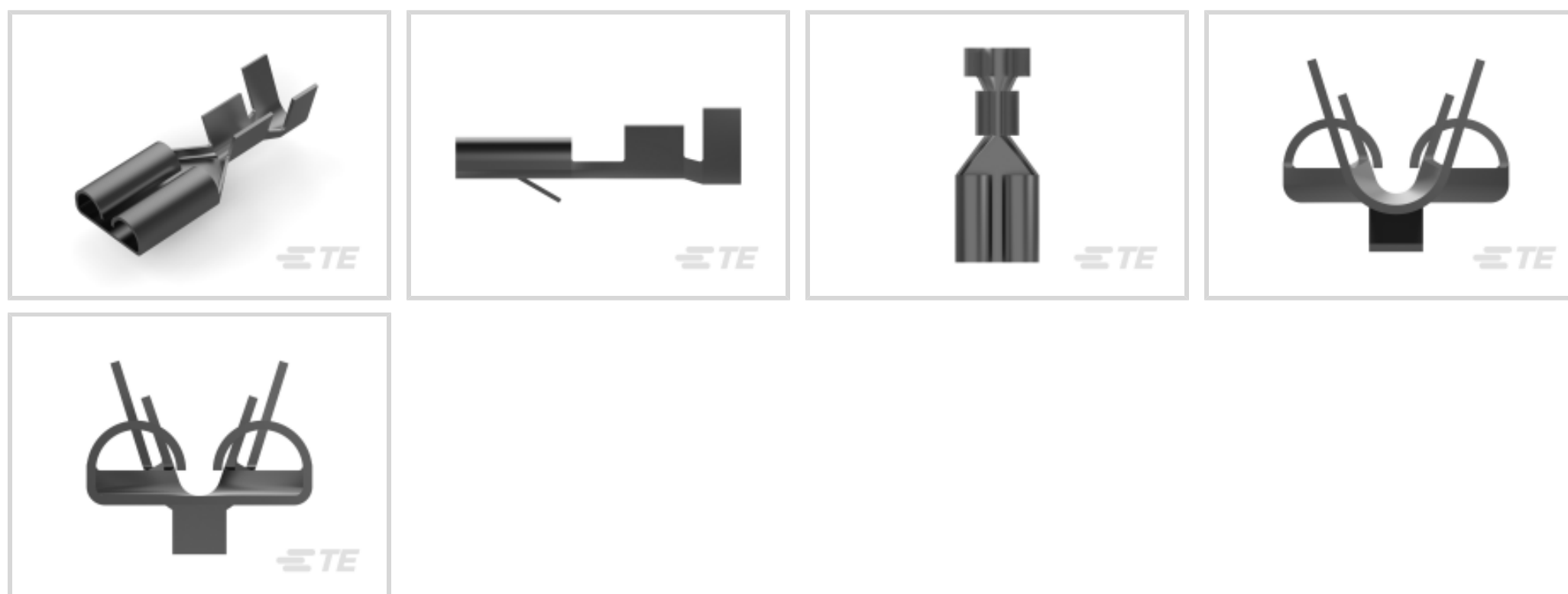




Terminals & Splices > Quick Disconnects



Quick Disconnect Terminal Type: **Receptacle**

Wire Size: 1.03 – 2.62 mm²

Mating Tab Width: 6.35 mm [.25 in]

Mating Tab Thickness: .81 mm [.032 in]

Features

Product Type Features

Terminates To	Wire & Cable
Wire Stop	No
Wire/Cable Type	Regular Wire
Insertion Force	Normal
Sealable	No

Configuration Features

Connection Capacity	Single
---------------------	--------

Contact Features

Quick Disconnect Terminal Type	Receptacle
Mating Tab Width	6.35 mm [.25 in]
Mating Tab Thickness	.81 mm [.032 in]
Terminal Orientation	Straight
Contact Base Material	Phosphor Bronze
Terminal Plating Material	Tin
Crimp Type	F-Crimp



Barrel Type	Open
-------------	------

Mechanical Attachment

Mating Retention Type	Locking Lance
-----------------------	---------------

Wire Insulation Support	With
-------------------------	------

Dimensions

Accepts Wire Insulation Diameter Range	3.1 – 4.1 mm [.12 – .16 in]
----------------------------------------	-----------------------------

Overall Length	19.6 mm [.771 in]
----------------	-------------------

Receptacle Terminal Stock Thickness	.41 mm [.016 in]
-------------------------------------	------------------

Wire Size	1.03 – 2.62 mm ²
-----------	-----------------------------

Usage Conditions

Insulation Option	Uninsulated
-------------------	-------------

Operating Temperature Range	-40 – 110 °C [-40 – 230 °F]
-----------------------------	-----------------------------

Packaging Features

Packaging Quantity	4000
--------------------	------

Packaging Method	Strip/Reel
------------------	------------

Other

Comment	"According to DIN 46340, Part 3", Chamfered
---------	------------------------------------------------

Product Compliance

[For compliance documentation, visit the product page on TE.com>](#)

EU RoHS Directive 2011/65/EU	Compliant
------------------------------	-----------

EU ELV Directive 2000/53/EC	Compliant
-----------------------------	-----------

China RoHS 2 Directive MIIT Order No 32, 2016	No Restricted Materials Above Threshold
-----------------------------------------------	-----------------------------------------

EU REACH Regulation (EC) No. 1907/2006	Current ECHA Candidate List: JUNE 2022 (224) Candidate List Declared Against: JAN 2022 (223) SVHC > Threshold: Not Yet Reviewed
----------------------------------------	------------------------------------------------------------------------------------------------------------------------------------------------

Halogen Content	Low Halogen - Br, Cl, F, I < 900 ppm per homogenous material. Also BFR/CFR/PVC Free
-----------------	-------------------------------------------------------------------------------------------

Solder Process Capability	Not applicable for solder process capability
---------------------------	----------------------------------------------

Product Compliance Disclaimer

This information is provided based on reasonable inquiry of our suppliers and represents our current actual knowledge based on the information they provided. This information is subject to change. The part numbers that TE has identified as EU RoHS compliant have a maximum concentration of 0.1% by weight in homogenous materials for lead, hexavalent chromium, mercury, PBB, PBDE, DBP, BBP, DEHP, DIBP, and 0.01% for cadmium, or qualify for an exemption to these limits as defined in the Annexes of Directive 2011/65/EU (RoHS2). Finished electrical and electronic equipment products will be CE marked as required by Directive 2011/65/EU. Components may not be CE marked. Additionally, the part numbers that TE has identified as EU ELV compliant have a maximum concentration of 0.1% by weight in homogenous materials for lead, hexavalent chromium, and mercury, and 0.01% for cadmium, or qualify for an exemption to these limits as defined in the Annexes of Directive 2000/53/EC (ELV). Regarding the REACH Regulation, the information TE provides on SVHC in articles for this part number is based on the latest European Chemicals Agency (ECHA) 'Guidance on requirements for substances in articles' posted at this URL: <https://echa.europa.eu/guidance-documents/guidance-on-reach>

Compatible Parts



REPRESENTATION ONLY

TE Part # 720725-1
DAHT 250 FASTIN-ON TAB REC 18-14 ASSY



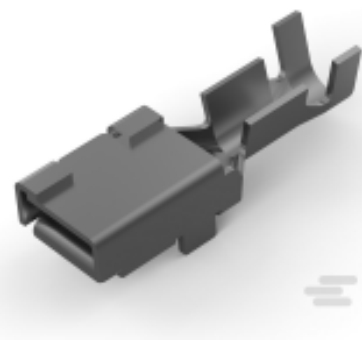
TE Part # 1-1579007-4
EXTRACTION TOOL



TE Part # 4-1579007-3
EXTRACTION TOOL KIT



TE Part # 175042-1
FF 187 REC 2-3MM2 PTBR



TE Part # 175040-1
FF 187 REC 0.5-1.25MM2 PTBR



TE Part # 160920-4
FF 312 REC 2.5-4MM2 TPPB



TE Part # 180398-2
FF 250 REC 1-2.5MM2 TPBR



TE Part # 180398-5
FF 250 REC 1-2.5MM2 TPPB



TE Part # 2150843-1
OCEAN_2.0_Applicator-E-100F180F



TE Part # 2150843-2
OCEAN_2.0_Applicator-E-100F180F



TE Part # 281197-5
FF 187 REC 1.0-2.5MM2 PTBR (RE REELING)



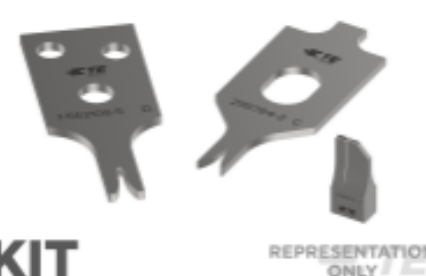
TE Part # 281197-6
FF 187 REC 1.0-2.5MM2 PTBR



TE Part # 7-2150843-1
OCEAN_2.0_Applicator-E-100F180F



TE Part # 7-2150843-2
OCEAN_2.0_Applicator-E-100F180F



KIT

REPRESENTATION ONLY

TE Part # 7-2150843-7
OCEAN_2.0_SPARE_PART_KIT-100F180F

Also in the Series | FASTIN-FASTON 250



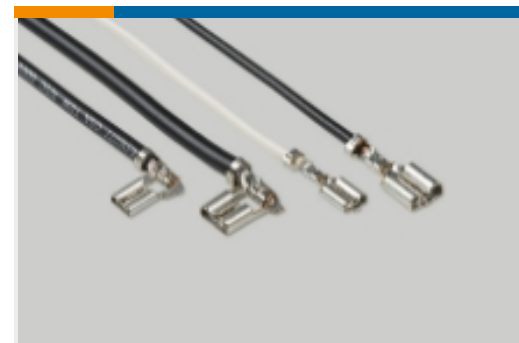
Crimp Terminal Housings(218)



Insertion & Extraction Tools(2)

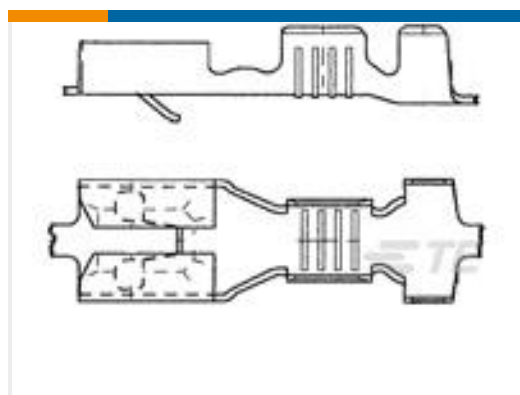
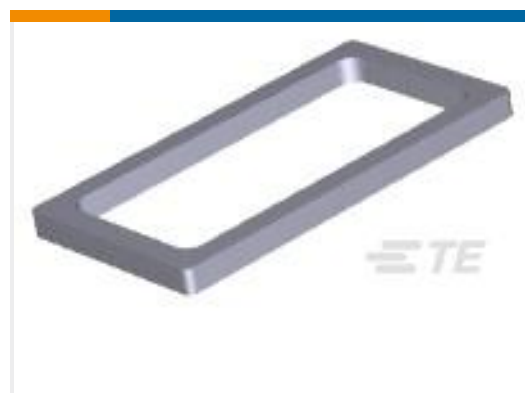
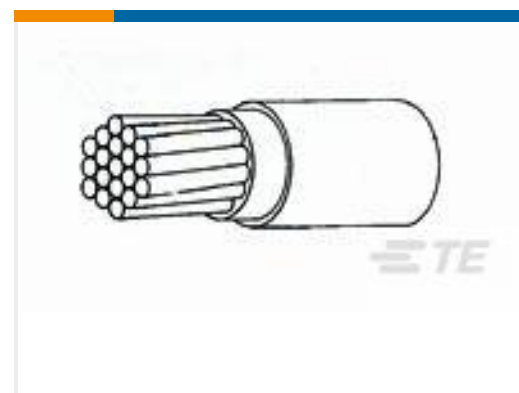


PCB Terminals(2)



Quick Disconnects(255)

Customers Also Bought

TE Part #T4113501041-000
M12 Field Installable UnshieldedTE Part #282180-3
FF 187 REC 0.5-1.5MM2 TPPBTE Part #DRC16-70SBE-P013
DEUTSCH DRC HOUSINGSTE Part #154746-2
FF 250 REC HSG 5P NYLON BLACKTE Part #794772-6
06P MINI UMNL SEAL,DIE CUTTE Part #5-1437710-6
NP1TA-00R2XX=CONN. 2W MALE
WATTE Part #A669283001
44A0111-24-6CK2000TE Part #E247363001
44A0111-24-9CK2000

Documents

Product Drawings

[FF 250 REC 1-2.5MM2 TPPB](#)

English

CAD Files

Customer View Model

[ENG_CVM_CVM_280098-2_L.2d_dxf.zip](#)

English

3D PDF

3D

Customer View Model

[ENG_CVM_CVM_280098-2_L.3d_igs.zip](#)

English

Customer View Model

[ENG_CVM_CVM_280098-2_L.3d_stp.zip](#)



English

By downloading the CAD file I accept and agree to the [Terms and Conditions](#) of use.

Datasheets & Catalog Pages

[1654742_HOUSEHOLD_APPLIANCES_RAST5](#)

English

Product Specifications

[FASTIN-FASTON CONN. .110 INCH, .187 INCH, .250 INCH, .375 INCH SRS.](#)

English

Product Specification

English

Product Environmental Compliance

[Product Compliance](#)

English

[Product Compliance](#)

English