



TE Internal #: 280267-2

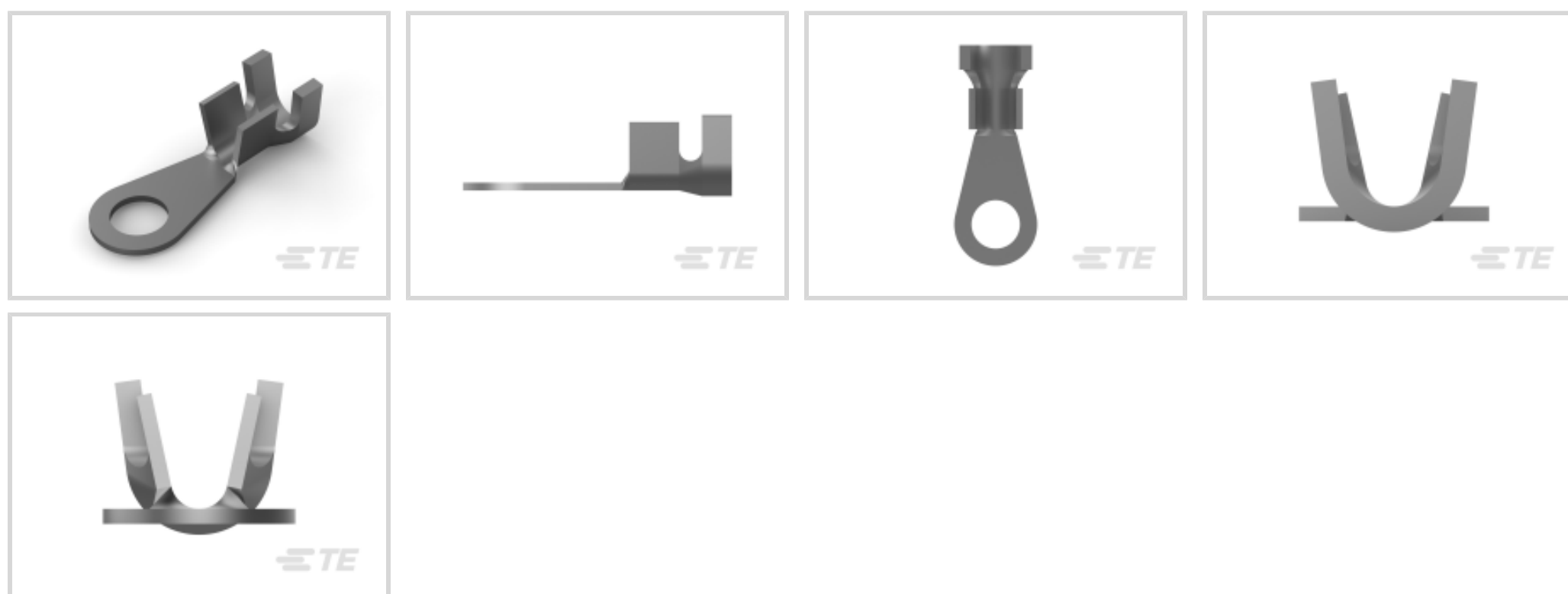
Ring Terminals & Spade Terminals, Ring Tongue, 12 – 10 AWG

Wire Size, 3 – 6 mm² Wire Size, 9072 – 10404 CMA Wire Size, Stud

Size #10

[View on TE.com >](#)

Terminals & Splices > Ring Terminals & Spade Terminals



Ring & Spade Terminal Type: **Ring Tongue**

Wire Size: **9072 – 10404 CMA**

Stud Size: **#10**

Features

Product Type Features

Shape Description	Circular/Oval
Stud Size	#10
Sealable	No
Compatible With Discrete Wire Type	Stranded
Wire Insulation Support Retention Type	Insulation Support

Configuration Features

Number of Holes	1
Terminal Angle	180 °

Body Features

Weight per Piece	1.27 g
------------------	--------

Contact Features

Contact Base Material	Brass
Ring & Spade Terminal Type	Ring Tongue
Barrel Type	Open
Terminal Orientation	Straight
Terminal Plating Material	Tin



Contact Underplating Material	Nickel
-------------------------------	--------

Mechanical Attachment

Wire Insulation Support	With
-------------------------	------

Dimensions

	.15 in
Wire Size	9072 – 10404 CMA
Stud Diameter	5.3 mm[.209 in]
Tongue Thickness	.7 mm[.028 in]
Overall Product Length	23.88 mm[.94 in]
Barrel Inside Diameter	2.66 mm, 4.44 mm[.105 in][.175 in]
Accepts Wire Insulation Diameter (Max)	5.31 mm[.209 in]
Accepts Wire Insulation Diameter Range	3.8 – 5.3 mm[.15 – .209 in]

Usage Conditions

Insulation Option	Uninsulated
Operating Temperature Range	-40 – 110 °C[-40 – 230 °F]

Operation/Application

Compatible With Wire Base Material	Copper
Heavy Duty	No

Industry Standards

Government Qualified	No
----------------------	----

Packaging Features

Packaging Quantity	2000
Packaging Method	Strip/Reel

Product Compliance

[For compliance documentation, visit the product page on TE.com>](#)

EU RoHS Directive 2011/65/EU	Compliant
EU ELV Directive 2000/53/EC	Compliant
China RoHS 2 Directive MIIT Order No 32, 2016	No Restricted Materials Above Threshold
EU REACH Regulation (EC) No. 1907/2006	Current ECHA Candidate List: JUNE 2022 (224) Candidate List Declared Against: JAN 2022 (223)



SVHC > Threshold:
Not Yet Reviewed

Halogen Content

Low Halogen - Br, Cl, F, I < 900 ppm per homogenous material. Also BFR/CFR/PVC Free

Solder Process Capability

Not applicable for solder process capability

Product Compliance Disclaimer

This information is provided based on reasonable inquiry of our suppliers and represents our current actual knowledge based on the information they provided. This information is subject to change. The part numbers that TE has identified as EU RoHS compliant have a maximum concentration of 0.1% by weight in homogenous materials for lead, hexavalent chromium, mercury, PBB, PBDE, DBP, BBP, DEHP, DIBP, and 0.01% for cadmium, or qualify for an exemption to these limits as defined in the Annexes of Directive 2011/65/EU (RoHS2). Finished electrical and electronic equipment products will be CE marked as required by Directive 2011/65/EU. Components may not be CE marked. Additionally, the part numbers that TE has identified as EU ELV compliant have a maximum concentration of 0.1% by weight in homogenous materials for lead, hexavalent chromium, and mercury, and 0.01% for cadmium, or qualify for an exemption to these limits as defined in the Annexes of Directive 2000/53/EC (ELV). Regarding the REACH Regulation, the information TE provides on SVHC in articles for this part number is based on the latest European Chemicals Agency (ECHA) 'Guidance on requirements for substances in articles' posted at this URL: <https://echa.europa.eu/guidance-documents/guidance-on-reach>

Compatible Parts



TE Part # 160163-2
RING TONGUE WITH IS 3.1-5.3 MM2 TPBR



TE Part # 41124
RING .190 (4.82 MM) 12-10 AWG TPBR



TE Part # 160181-2
RING TONGUE IS 3.1-5.3 MM2 TPBR



TE Part # 160336-2
RING TONGUE IS 12-10 0.295 X .650 TPBR



TE Part # 160134-5
RING TONGUE WITH IS 12-10 AWG PHBZ



TE Part # 160134-2
RING TONGUE WITH IS 12-10 AWG TPBR



TE Part # 280268-2
RING TONGUE 4-6MM2 0.0276X0.650 TPBR



TE Part # 140656
TERMINAL RING TONGUE 12 10



TE Part # 160411-5
RING TONGUE I.S.



TE Part # 2-4150123-2
OCEAN-2.0-APPLICATOR-E-180F240F



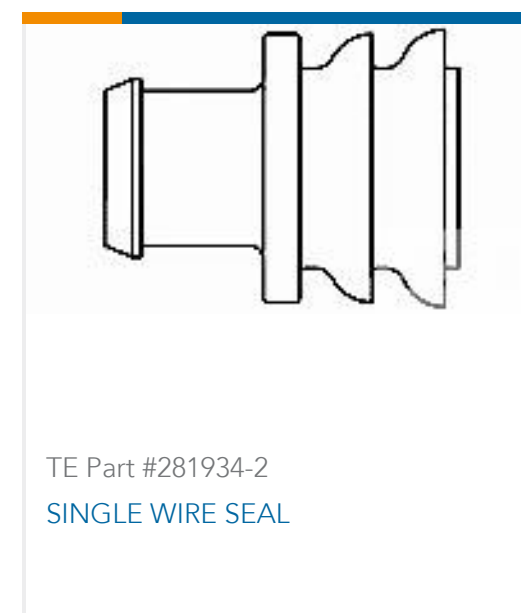
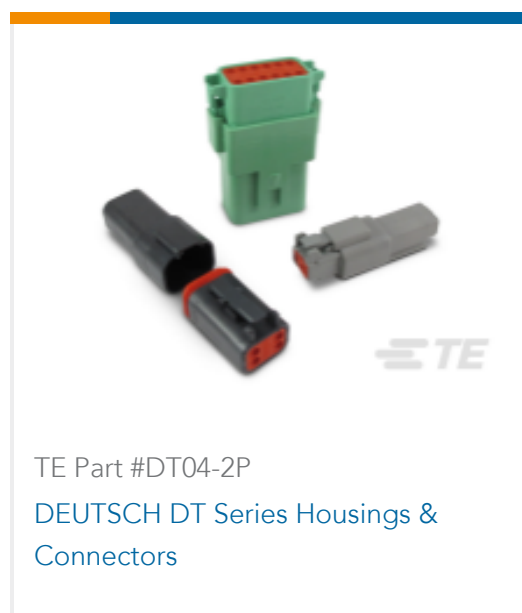
TE Part # 280261-2
OPEN BARREL RINGTON



TE Part # 42188-1
SPADE TERMINAL FLAG 18-12 AWG TPBR



Customers Also Bought



Documents

Product Drawings

[COSSE RONDE 12 10](#)

English

CAD Files

[3D PDF](#)

3D

Customer View Model

[ENG_CVM_CVM_280267-2_E.2d_dxf.zip](#)

English

Customer View Model

[ENG_CVM_CVM_280267-2_E.3d_igs.zip](#)

English

Customer View Model

[ENG_CVM_CVM_280267-2_E.3d_stp.zip](#)

English

By downloading the CAD file I accept and agree to the [Terms and Conditions](#) of use.



Product Specifications

Product Specification

English

Product Specification

English