



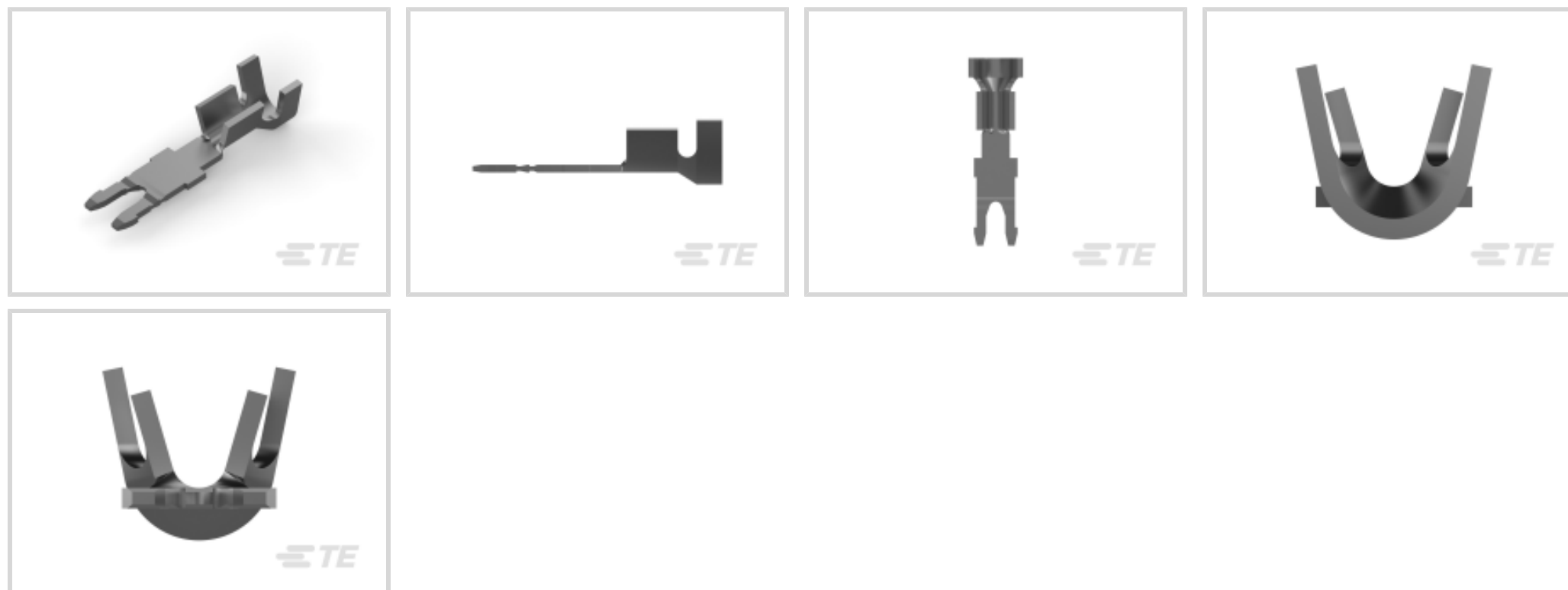
**MAG-MATE**

TE Internal #: 281623-2

Magnet Wire Terminals, Poke-In, Lead Wire Size 22 – 18 AWG, Lead Wire Size .326 – .8 mm<sup>2</sup>, Crimp / Insulation Displacement (IDC), MAG-MATE

[View on TE.com >](#)

Terminals & Splices > Magnet Wire Terminals



Magnet Wire Terminal Type: **Poke-In**

Accepts Wire Insulation Diameter (Max): **3 mm [ .118 in ]**

Accepts Wire Insulation Diameter Range: **3 mm [ .118 in ]**

Lead Wire Size: **.326 – .8 mm<sup>2</sup>**

**Features**

**Product Type Features**

Compatible With Discrete Wire Type	Solid, Stranded
Sealable	No

**Configuration Features**

Compatible With Wire & Cable Type	Discrete Wire
-----------------------------------	---------------

**Contact Features**

Magnet Wire Terminal Type	Poke-In
Terminal Plating Material	Tin
Terminal Orientation	Straight

**Termination Features**

Termination Method to Wire & Cable	Crimp, Insulation Displacement (IDC)
Crimp Area Length	7.87 mm[.31 in]

**Mechanical Attachment**

Wire Insulation Support	With
-------------------------	------

**Dimensions**



Terminal Height	3.37 mm[.133 in]
Accepts Wire Insulation Diameter (Max)	3 mm[.118 in]
Accepts Wire Insulation Diameter Range	3 mm[.118 in]
Lead Wire Size	.326 – .8 mm <sup>2</sup>
Stock Thickness (Magnet Wire Side)	.45 mm[.018 in]
Overall Product Length	18.4 mm[.722 in]

### Usage Conditions

Insulation Option	Uninsulated
-------------------	-------------

### Operation/Application

Compatible With Wire Base Material	Copper
------------------------------------	--------

### Packaging Features

Packaging Method	Reel, Reel/Carton
------------------	-------------------

## Product Compliance

[For compliance documentation, visit the product page on TE.com>](#)

EU RoHS Directive 2011/65/EU	Compliant
EU ELV Directive 2000/53/EC	Compliant
China RoHS 2 Directive MIIT Order No 32, 2016	No Restricted Materials Above Threshold
EU REACH Regulation (EC) No. 1907/2006	Current ECHA Candidate List: JUNE 2022 (224) Candidate List Declared Against: JAN 2022 (223) SVHC > Threshold: Not Yet Reviewed
Halogen Content	Low Halogen - Br, Cl, F, I < 900 ppm per homogenous material. Also BFR/CFR/PVC Free
Solder Process Capability	Not applicable for solder process capability

#### Product Compliance Disclaimer

This information is provided based on reasonable inquiry of our suppliers and represents our current actual knowledge based on the information they provided. This information is subject to change. The part numbers that TE has identified as EU RoHS compliant have a maximum concentration of 0.1% by weight in homogenous materials for lead, hexavalent chromium, mercury, PBB, PBDE, DBP, BBP, DEHP, DIBP, and 0.01% for cadmium, or qualify for an exemption to these limits as defined in the Annexes of Directive 2011/65/EU (RoHS2). Finished electrical and electronic equipment products will be CE marked as required by Directive 2011/65/EU. Components may not be CE marked. Additionally, the part numbers that TE has identified as EU ELV compliant have a maximum concentration of 0.1% by weight in homogenous materials for lead, hexavalent chromium, and mercury, and 0.01% for cadmium, or qualify for an exemption to these limits as defined in the Annexes of Directive 2000/53/EC (ELV). Regarding the REACH Regulation, the information TE provides

on SVHC in articles for this part number is based on the latest European Chemicals Agency (ECHA) 'Guidance on requirements for substances in articles' posted at this URL: <https://echa.europa.eu/guidance-documents/guidance-on-reach>

## Compatible Parts



TE Part # 2305570-1  
TERMINAL CUTTER, SIDE FEED



TE Part # 62895-1  
MAG-MATE POKE-IN TAB 018 TPBR



TE Part # 1217470-1  
TAB MAG-MATE POKE-IN 22-18



TE Part # 2-2836153-1  
OC-PA-S-FM-090F140F-001-0201



TE Part # 2-2836153-2  
OC-PA-S-FA-090F140F-001-0201



TE Part # 2836153-1  
OC-AT-S-FM-090F140F-001-0201




TE Part # 2836153-2  
OC-AT-S-FA-090F140F-001-0201



TE Part # 7-2836153-7  
OC-090F140F-CRIMPTOOLINGKIT


## Also in the Series | MAG-MATE



Insertion & Extraction Tools(8)



Magnet Wire Terminals(464)

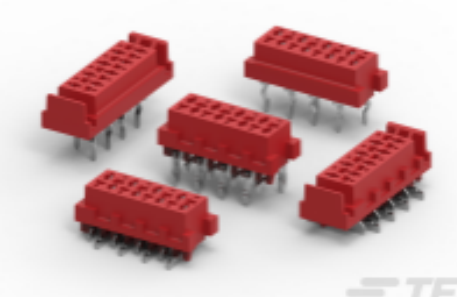


PCB Terminals(1)

## Customers Also Bought



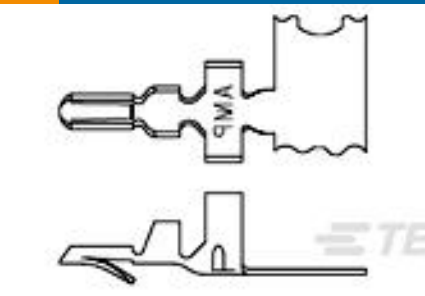
TE Part #1717254-4  
EMBOSS ASSY DDR2 SODIMM SOCKET 200P 5.2H



TE Part #7-188275-6  
FEMALE-ON-BOARD CONNECTOR TOP ENTRY



TE Part #292304-1  
STD USB TYPE B, R/A, T/H



TE Part #3-640108-1  
AMP-IN, MINI 26-22 008PTLPHBZ



## Documents

### Product Drawings

#### MAG-MATE TERMINALS

English

### CAD Files

#### 3D PDF

3D

#### Customer View Model

[ENG\\_CVM\\_CVM\\_281623-2\\_D.2d\\_dxf.zip](#)

English

#### Customer View Model

[ENG\\_CVM\\_CVM\\_281623-2\\_D.3d\\_igs.zip](#)

English

#### Customer View Model

[ENG\\_CVM\\_CVM\\_281623-2\\_D.3d\\_stp.zip](#)

English

By downloading the CAD file I accept and agree to the [Terms and Conditions](#) of use.

### Datasheets & Catalog Pages

#### Magnet Wire Terminals & Splices

English

### Product Environmental Compliance

#### TE Material Declaration

English