

2272160-1 ✓ ACTIVE

MCON Interconnection System

TE Internal #: 2272160-1

Housing for Male Terminals, Wire-to-Wire, 2 Position, .157 in [4 mm] Centerline, Natural, Signal, MCON Interconnection System

[View on TE.com >](#)



Connectors > Automotive Connectors > Connector Housings > MCON, CONNECTOR HOUSING



Connector & Housing Type: **Housing for Male Terminals**

Mating Tab Width: **1.2 mm [.047 in]**

Connector System: **Wire-to-Wire**

Number of Positions: **2**

Centerline (Pitch): **4 mm [.157 in]**

[All MCON, CONNECTOR HOUSING \(283\)](#)

Features

Product Type Features

Connector & Housing Shape	Rectangular
Connector & Housing Type	Housing for Male Terminals
Connector System	Wire-to-Wire
Sealable	No
Hybrid Connector	No
Primary Locking Feature	Integrated in Housing

Configuration Features

Number of Positions	2
Number of Rows	1

Body Features

Cable Exit Angle	180°
Body Material	PA GF
Primary Product Color	Natural



Connector Code	A
----------------	---

Contact Features

Contact Size	1.2mm
Contact Type	Tab
Mating Tab Width	1.2 mm[.047 in]

Mechanical Attachment

Mounting Feature	Without
Terminal Position Assurance	No
Strain Relief	Without
Mating Alignment Type	Keyed
Mating Alignment	With
Connector Mounting Type	Cable Mount (Free-Hanging)

Housing Features

Centerline (Pitch)	4 mm[.157 in]
--------------------	---------------

Dimensions

Product Width	35.4 mm[1.39 in]
Product Length	13.9 mm[.547 in]
Product Height	10.9 mm[.429 in]

Operation/Application

Circuit Application	Signal
---------------------	--------

Packaging Features

Packaging Quantity	1
Packaging Method	Package

Other

Serviceable	No
Connector Position Assurance Capable	No

Product Compliance

[For compliance documentation, visit the product page on TE.com>](#)

EU RoHS Directive 2011/65/EU	Compliant
EU ELV Directive 2000/53/EC	Compliant
China RoHS 2 Directive MIIT Order No 32, 2016	No Restricted Materials Above Threshold



EU REACH Regulation (EC) No. 1907/2006

Current ECHA Candidate List: JUNE 2022 (224)

Candidate List Declared Against: JAN 2022 (223)

SVHC > Threshold:
Not Yet Reviewed

Halogen Content

Low Halogen - Br, Cl, F, I < 900 ppm per homogenous material. Also BFR/CFR/PVC Free

Solder Process Capability

Not applicable for solder process capability

Product Compliance Disclaimer

This information is provided based on reasonable inquiry of our suppliers and represents our current actual knowledge based on the information they provided. This information is subject to change. The part numbers that TE has identified as EU RoHS compliant have a maximum concentration of 0.1% by weight in homogenous materials for lead, hexavalent chromium, mercury, PBB, PBDE, DBP, BBP, DEHP, DIBP, and 0.01% for cadmium, or qualify for an exemption to these limits as defined in the Annexes of Directive 2011/65/EU (RoHS2). Finished electrical and electronic equipment products will be CE marked as required by Directive 2011/65/EU. Components may not be CE marked. Additionally, the part numbers that TE has identified as EU ELV compliant have a maximum concentration of 0.1% by weight in homogenous materials for lead, hexavalent chromium, and mercury, and 0.01% for cadmium, or qualify for an exemption to these limits as defined in the Annexes of Directive 2000/53/EC (ELV). Regarding the REACH Regulation, the information TE provides on SVHC in articles for this part number is based on the latest European Chemicals Agency (ECHA) 'Guidance on requirements for substances in articles' posted at this URL: <https://echa.europa.eu/guidance-documents/guidance-on-reach>

Compatible Parts




TE Part # 2289523-1
2POS, MCON 1.2 CB REC 2p TL UNSEALED



TE Part # CAT-M4595-T273
MCON, RECEPTACLE AND TAB


Also in the Series | MCON Interconnection System




Automotive Connector Caps & Covers (24)



Automotive Connector Locks & Position Assurance(11)



Automotive Housings(288)



Automotive Seals & Cavity Plugs(4)



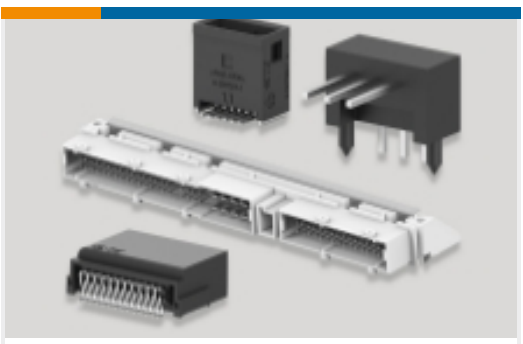
Automotive Terminals(113)



Insertion & Extraction Tools(31)



Other Automotive Connector Accessories(6)

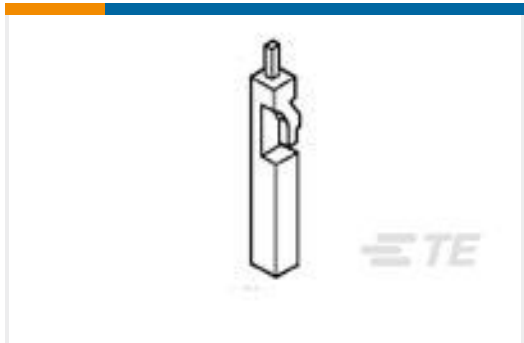


PCB Headers & Receptacles(1)

Customers Also Bought



TE Part #1718348-1
MCON 1.2 CB TAB STC SN



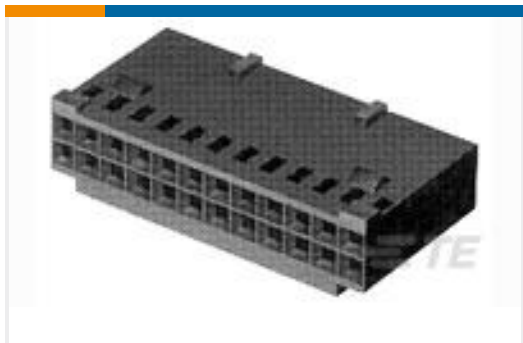
TE Part #87077-2
MOD IV KEYING PLUG



TE Part #104257-7
08 MTE RCPT HSG SR LATCH .100



TE Part #104257-5
06 MTE RCPT HSG SR LATCH .100



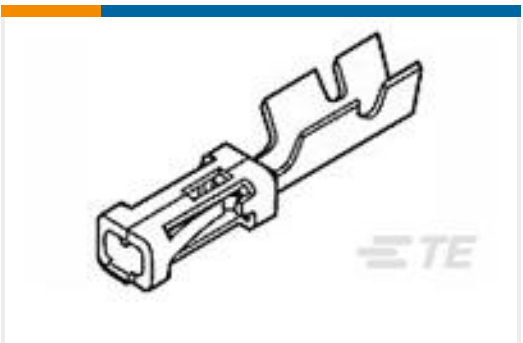
TE Part #2-87631-5
30 MODIV HSG COMP DR .100 POL



TE Part #36149
PIDG RING TONGUE TERMINALS



TE Part #324061
TERMINAL,SOLIS R 8 8



TE Part #1-87523-8
MOD IV RECP PLTD 30 DPLX



TE Part #CN6742-000
TX41AC00-1005Y

Documents

Product Drawings

2POS, MCON 1.2 CB TAB 2p TL UNSEALED

English

CAD Files

3D PDF

3D

Customer View Model

ENG_CVM_CVM_2272160-1_A.2d_dxf.zip



English

Customer View Model

[ENG_CVM_CVM_2272160-1_A.3d_igs.zip](#)

English

Customer View Model

[ENG_CVM_CVM_2272160-1_A.3d_stp.zip](#)

English

By downloading the CAD file I accept and agree to the [Terms and Conditions](#) of use.

Datasheets & Catalog Pages

[MCON Interconnection System](#)

English