



Terminals & Splices > Quick Disconnects



Quick Disconnect Terminal Type: **Receptacle**

Wire Size: **700 – 6500 CMA**

Mating Tab Width: **6.35 mm [.25 in]**

Features

Product Type Features

Terminates To	Wire & Cable
Wire/Cable Type	Regular Wire
Wire Stop	No
Insertion Force	Low
Sealable	No

Configuration Features

Connection Capacity	Single
---------------------	--------

Electrical Characteristics

Voltage (Max)	600 V
---------------	-------

Contact Features

Quick Disconnect Terminal Type	Receptacle
Mating Tab Width	6.35 mm [.25 in]
Mating Tab Thickness	.81 mm [.032 in]
Terminal Orientation	Flag
Contact Base Material	Brass



Terminal Plating Material	Pre-Tin
---------------------------	---------

Crimp Type	2D
------------	----

Barrel Type	Open
-------------	------

Mechanical Attachment

Mating Retention Type	Dimple
-----------------------	--------

Extraction Force	13 Newton
------------------	-----------

Wire Insulation Support	With
-------------------------	------

Dimensions

Accepts Wire Insulation Diameter Range	2.09 – 4.19 mm [.082 – .165 in]
--	---------------------------------

Receptacle Terminal Stock Thickness	.41 mm [.016 in]
-------------------------------------	------------------

Overall Length	12.9 mm [.51 in]
----------------	------------------

Wire Size	700 – 6500 CMA
-----------	----------------

Usage Conditions

Insulation Option	Uninsulated
-------------------	-------------

Operating Temperature Range	-40 – 125 °C [-40 – 125 °F]
-----------------------------	-----------------------------

Industry Standards

UL File Number	E66717
----------------	--------

UL Rating	Listed
-----------	--------

Packaging Features

Packaging Quantity	14000
--------------------	-------

Packaging Method	Strip/Reel
------------------	------------

Other

Line	Standard
------	----------

Product Compliance

[For compliance documentation, visit the product page on TE.com>](#)

EU RoHS Directive 2011/65/EU	Compliant
------------------------------	-----------

EU ELV Directive 2000/53/EC	Compliant
-----------------------------	-----------

China RoHS 2 Directive MIIT Order No 32, 2016	No Restricted Materials Above Threshold
---	---

EU REACH Regulation (EC) No. 1907/2006	Current ECHA Candidate List: JUNE 2022 (224) Candidate List Declared Against: JAN 2022 (223)
--	---



SVHC > Threshold:
Not Yet Reviewed

Halogen Content
Low Halogen - Br, Cl, F, I < 900 ppm per homogenous material. Also BFR/CFR/PVC Free

Solder Process Capability
Not reviewed for solder process capability

Product Compliance Disclaimer

This information is provided based on reasonable inquiry of our suppliers and represents our current actual knowledge based on the information they provided. This information is subject to change. The part numbers that TE has identified as EU RoHS compliant have a maximum concentration of 0.1% by weight in homogenous materials for lead, hexavalent chromium, mercury, PBB, PBDE, DBP, BBP, DEHP, DIBP, and 0.01% for cadmium, or qualify for an exemption to these limits as defined in the Annexes of Directive 2011/65/EU (RoHS2). Finished electrical and electronic equipment products will be CE marked as required by Directive 2011/65/EU. Components may not be CE marked. Additionally, the part numbers that TE has identified as EU ELV compliant have a maximum concentration of 0.1% by weight in homogenous materials for lead, hexavalent chromium, and mercury, and 0.01% for cadmium, or qualify for an exemption to these limits as defined in the Annexes of Directive 2000/53/EC (ELV). Regarding the REACH Regulation, the information TE provides on SVHC in articles for this part number is based on the latest European Chemicals Agency (ECHA) 'Guidance on requirements for substances in articles' posted at this URL: <https://echa.europa.eu/guidance-documents/guidance-on-reach>

Compatible Parts



TE Part # CAT-P851-T1
PCB Power Relay: 30 amp, Monostable DC



TE Part # 521663-1
250 FASTON HSG. FLAG REC 5.6 MM2P NATURAL



TE Part # 2238142-1
250 FASTON, FLAG, REC., 22-16 AWG, NPST



TE Part # 480416-2
250 FASTON HSG. REC 1P BLACK



TE Part # 1969657-1
250 FASTON HSG., FLAG, REC., 1 POS, BLACK



TE Part # 1969657-2
250 FASTON HSG., FLAG, REC., 1 POS, RED



TE Part # 1969899-1
250 FASTON HSG., FLAG, REC., 2 POS, BLACK



TE Part # 1989727-1
FASTON HSG. 1 POSN



TE Part # 2-2150829-2
OCEAN_2.0_APPLICATOR-E-130SP1600



TE Part # 2-480416-5
250 FASTON HSG., REC., 1 POS, NATRUAL



TE Part # 2150829-2
OCEAN_2.0_APPLICATOR-E-130SP1600



TE Part # 521661-1
250 FASTON HSG. FLAG REC. 4P BLACK




TE Part # 7-2150829-2
OCEAN_2.0_APPLICATOR-E-130SP1600



TE Part # 1-1558676-9
T9GS1L24-110WG



TE Part # 1-1558676-3
T9GS1L24-12WG



TE Part # 1-1558676-4
T9GS1L24-15WG



TE Part # 1-1558676-5
T9GS1L24-18WG



TE Part # 1-1558676-6
T9GS1L24-22WG




TE Part # 1-1558676-7
T9GS1L24-24WG

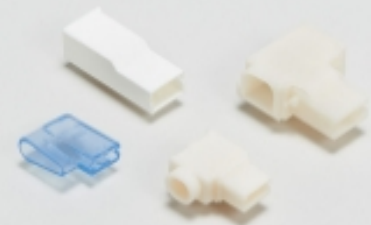


TE Part # 1-1558676-8
T9GS1L24-48WG


Also in the Series | **FASTON 250**



Compression Connectors(4)




Crimp Terminal Housings(143)




Insertion & Extraction Tools(6)



Magnet Wire Terminals(1)



PCB Terminals(144)



Quick Disconnects(456)



Splices(4)

Customers Also Bought



TE Part #350922-3
PIN, MATE-N-LOK, UMNL



TE Part #350923-3
UMNL SOK 10-12 .0125 PTPPHBZ



TE Part #60851-1
250 FASTON REC 12-10 AWG TPBR



TE Part #350538-1
UMNL PIN 20-14 .0126 PTPBR



TE Part #1546477-2
2P .433" DR BARRIER, W/WASHER



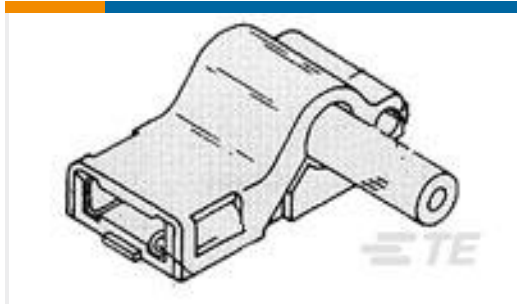
TE Part #6-1971875-3
PTL 3X3 CAP PANEL MT HITEMP KEY
B RED



TE Part #1969507-2
250 FASTON HSG., FLAG, REC., 1 POS,
NATURAL



TE Part #1969825-5
EP 2.5 TPA RETAINER, 5 POS



TE Part #1-480306-1
250 FASTON INSULATION POD., REC.,
NATURAL



TE Part #1969507-3
250 FASTON HSG., FLAG, REC., 1 POS,
BLACK

Documents

Product Drawings

[250 FASTON, FLAG, REC., 22-12 AWG, TPBR](#)

English

CAD Files

[3D PDF](#)

3D

Customer View Model

[ENG_CVM_CVM_2238171-3_A.2d_dxf.zip](#)

English

Customer View Model

[ENG_CVM_CVM_2238171-3_A.3d_igs.zip](#)

English

Customer View Model

[ENG_CVM_CVM_2238171-3_A.3d_stp.zip](#)

English

By downloading the CAD file I accept and agree to the [Terms and Conditions](#) of use.

Datasheets & Catalog Pages

[1-1773948-2 Standard Line FASTON Receptacles QRG](#)

English

Product Specifications

[Application Specification](#)

English

Product Environmental Compliance

[Product Compliance](#)



English

[Product Compliance](#)

English

[Agency Approvals](#)

[VDE Certificate](#)

English