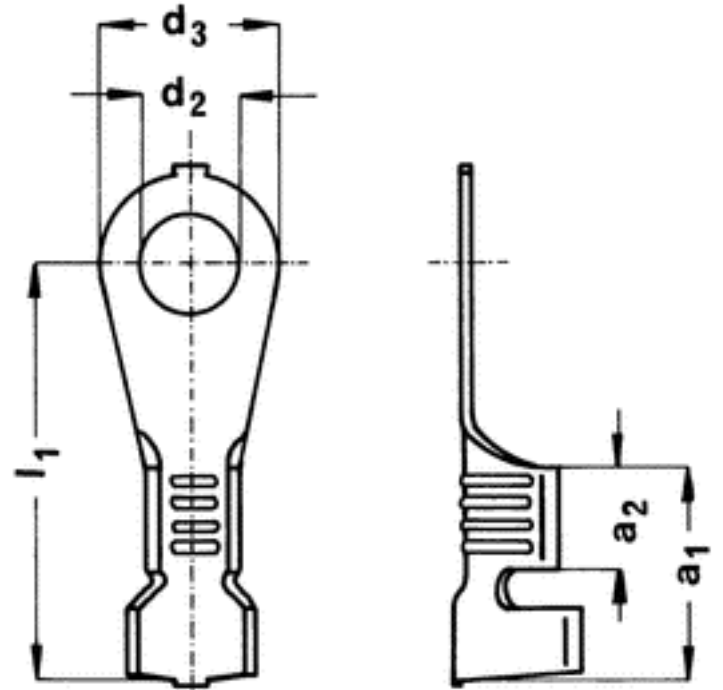




Characteristics and dimensions of terminals

Part number	25235.123.011
Specification	Claw terminal ring type
Material	CuZn
Surface / Colour	Sn 3
Form	Chain form
Transport	Longitudinal transport
Single part	X
Packing unit / piece	2000
Section area (mm ²)	2.50-6.00
DIN	46225 Form A
Nominal size	A8-6
Material thickness (mm)	0.80
a ₁	11.00
a ₂	4.50
d ₂	8.40
d ₃	14.00
l ₁	24.00



Note: The drawing only gives an overview of the geometry of the part. The crimp area is shown as supplied in strip form. A technical drawing is available on request.

[Contents of your inquiry](#)

Packing Units (per 2000 pieces)

CW