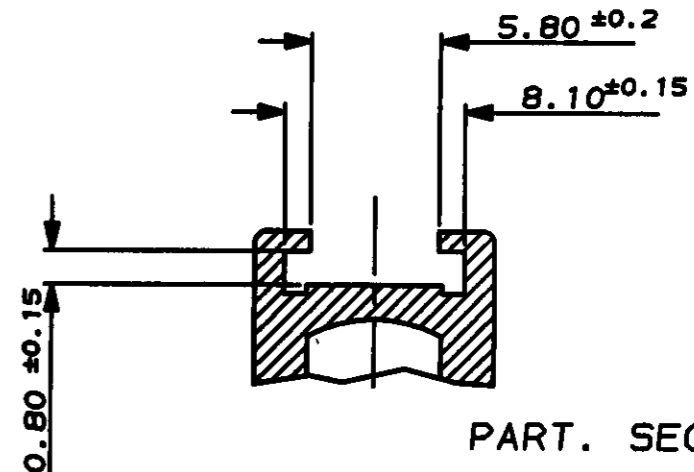
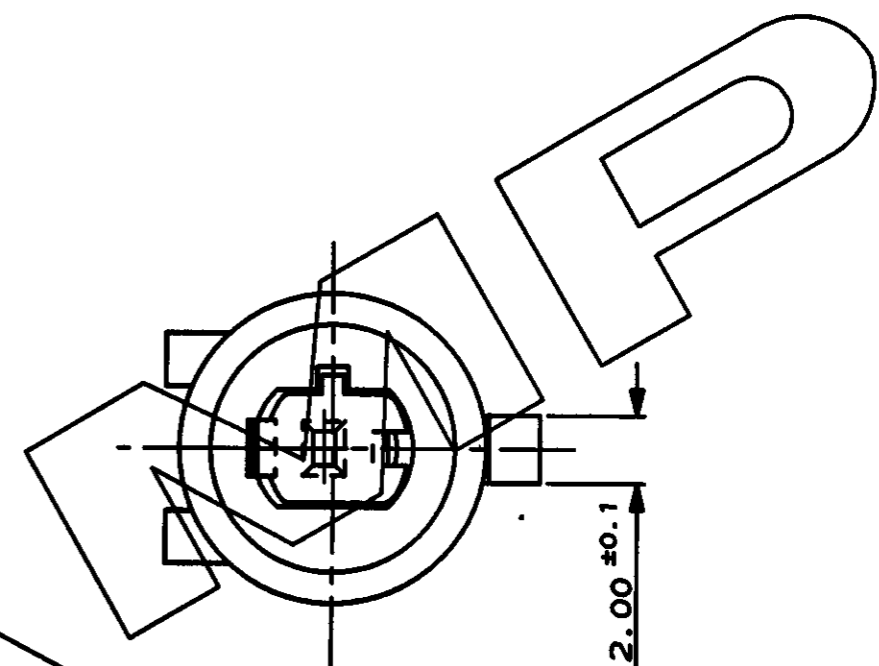
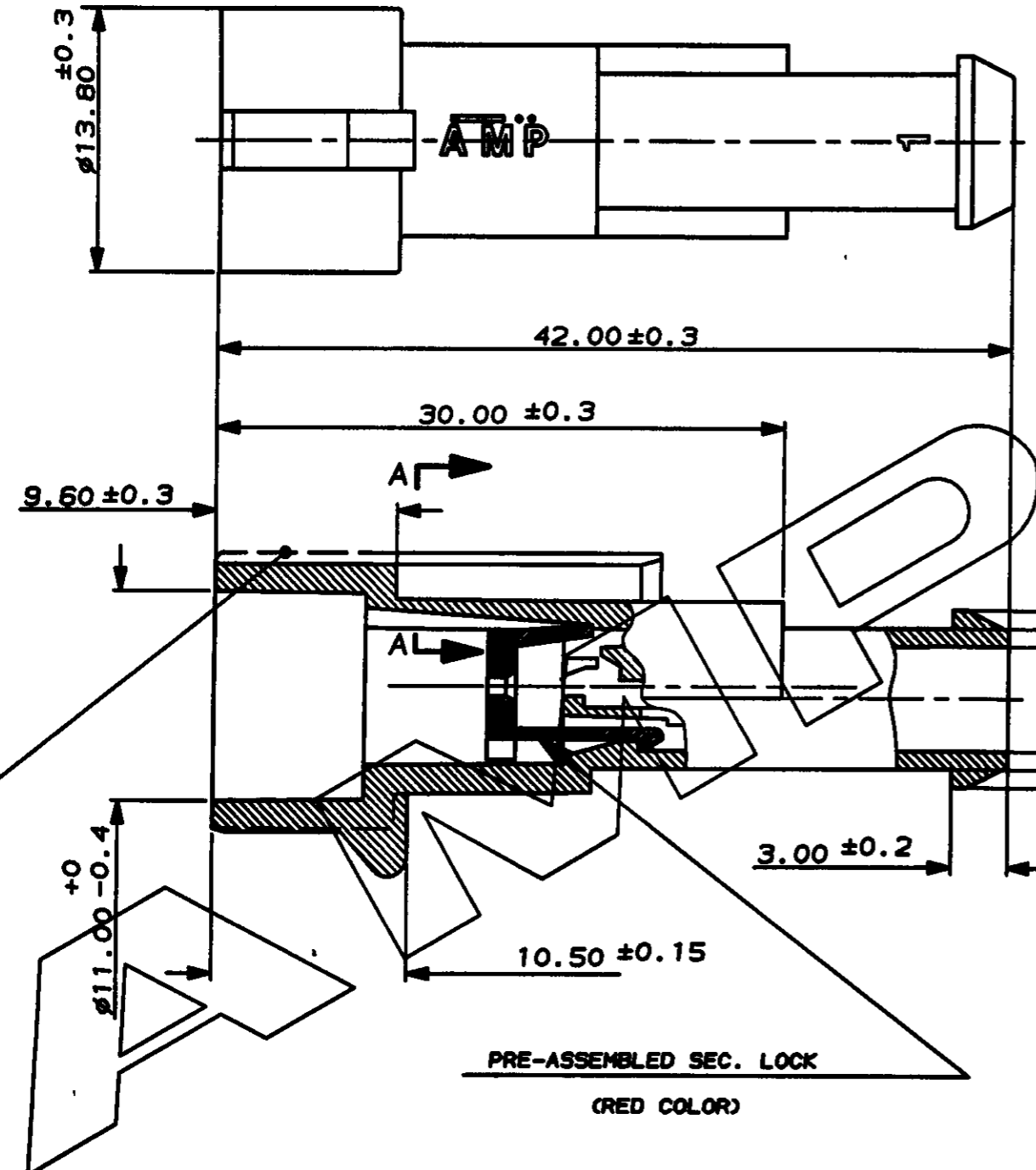


SCALA NON IMPEGNATIVA  
(DO NOT SCALE)  
DIMENSIONI IN mm  
DIMENSIONS IN mm

**METRIC**

PROIEZIONE EUROPEA  
(EUROPEAN PROJECTION)

A  
B  
C  
D  
E  
F



|  |                         |                         |
|--|-------------------------|-------------------------|
| GREY                                   | G.F. PA66               | 282103-2                |
| BLACK                                  | G.F. PA66               | 282103-1                |
| FINITURA / COLORE<br>(FINISH / COLOUR) | MATERIALE<br>(MATERIAL) | NUMERO<br>(PART NUMBER) |

CUSTOMER DWG. FOR REFERENCE ONLY      DISEGNO PER CLIENTE SOLO PER RIFERIMENTO

THIS DRAWING IS UNPUBLISHED      RELEASE FOR PUBLICATION      19

© COPYRIGHT IS BY AMP INCORPORATED, HARRISBURG, PA. ALL INTERNATIONAL RIGHT RESERVED. AMP PRODUCTS MAY BE COVERED BY U.S. AND FOREIGN PATENT AND/OR PATENT PENDING

|   |                                 |                         |               |
|---|---------------------------------|-------------------------|---------------|
| TOLLERANZE, SE NON DIVERSAMENTE SPECIFICATO<br>(TOLERANCES, UNLESS OTHERWISE SPECIFIED) | DIA. ISOLANTE (INS. DIA. RANGE) | RANGO FILO (WIRE RANGE) | SCALA (SCALE) |
| ± 0.3   | -                               | -                       | -             |

ANGOLI (ANGLE) ± 2°

DIS. C. BERTINI      DESCRIZIONE (DESCRIPTION) 1 POS TAB ASS'Y

AMP ITALIA S.p.A.  
Corso F.lli Garibaldi, 15  
COLLENO (TORINO)

|      |                             |                       |    |
|------|-----------------------------|-----------------------|----|
| 6    | UP-DATED                    | C.B.                  | 3  |
| 5    | UP-DATED                    | C.B.                  | 10 |
| 4    | ADDED PN ...-2              | C.B.                  | 9  |
| REV. | REVISIONI (REVISION RECORD) | DIS. DATA (DRG. DATE) |    |

|             |                   |             |             |             |                   |        |                 |
|-------------|-------------------|-------------|-------------|-------------|-------------------|--------|-----------------|
| DIS. (DRG.) | CONT. (CON.)      | APP. (APP.) | LOC. (LOC.) | SIZE (SIZE) | NUMERO (DWG. NO.) | REV.   | FOGLIO (SHEET?) |
| DIS. 2-90   | CONT. - DR 1/3/93 | APP. -      | LOC. IA3    | SIZE        | NUMERO C-282103   | REV. 6 | FOGLIO 1/1      |

DISTRIBUZIONE  
PRINT. DIST.