

282994-3 ✓ ACTIVE

AMP | Multilock Connector System

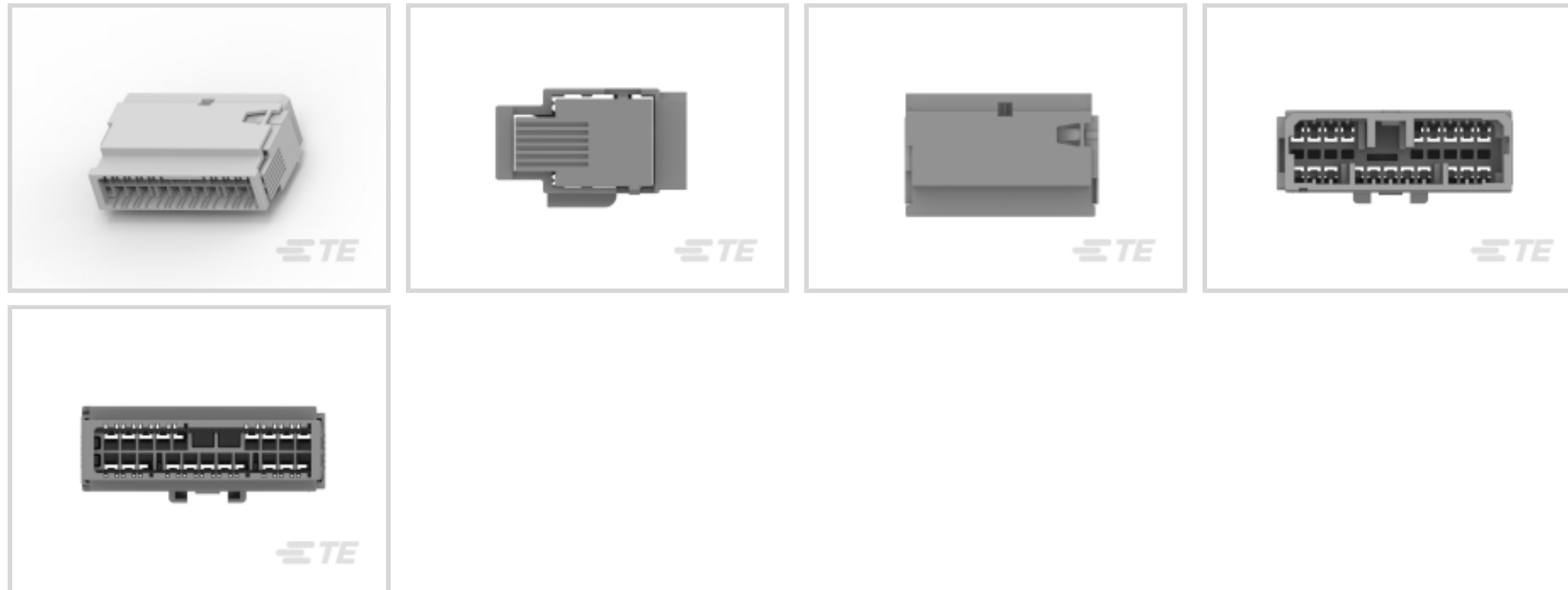
TE Internal #: 282994-3

Housing for Male Terminals, Wire-to-Wire, 20 Position, .217 in / .138 in [3.5 mm / 5.5 mm] Centerline, Blue, Signal, Multilock Connector System

[View on TE.com >](#)



Connectors > Automotive Connectors > Connector Housings > MULTILOCK, CONNECTOR HOUSING



Connector & Housing Type: **Housing for Male Terminals**

Mating Tab Width: 1.7 mm [ .067 in ]

Connector System: **Wire-to-Wire**

Number of Positions: 20

Centerline (Pitch): 3.5 mm, 5.5 mm [ .138 in, .217 in ]

[All MULTILOCK, CONNECTOR HOUSING \(576\)](#)

## Features

### Product Type Features

Connector & Housing Shape	Rectangular
Connector & Housing Type	Housing for Male Terminals
Connector System	Wire-to-Wire
Sealable	No
Hybrid Connector	No
Primary Locking Feature	Integrated in Housing

### Configuration Features

Number of Positions	20
Number of Rows	2

### Electrical Characteristics

Operating Voltage	24 VDC
Nominal Voltage Architecture	12 V, 24 V



### Body Features

Cable Exit Angle	180°
Body Material	PA GF
Primary Product Color	Blue

### Contact Features

Contact Size	1.8mm
Contact Type	Tab
Mating Tab Width	1.7 mm[.067 in]

### Mechanical Attachment

Mounting Feature	Without
Terminal Position Assurance	Yes
Strain Relief	Without
Mating Alignment Type	Keyed
Mating Alignment	With
Connector Mounting Type	Cable Mount (Free-Hanging)

### Housing Features

Centerline (Pitch)	3.5 mm, 5.5 mm[.138 in][.217 in]
--------------------	----------------------------------

### Dimensions

Product Width	19.5 mm[.768 in]
Product Length	49.5 mm[1.949 in]
Product Height	31.4 mm[1.236 in]
Row-to-Row Spacing	5.5 mm[.217 in]

### Usage Conditions

Operating Temperature (Max)	70 °C, 75 °C, 80 °C, 85 °C, 90 °C, 100 °C, 105 °C[158 °F][167 °F][176 °F][185 °F][194 °F][212 °F][221 °F]
Operating Temperature Range	-30 – 105 °C[-22 – 221 °F]

### Operation/Application

Circuit Application	Signal
---------------------	--------

### Packaging Features

Packaging Quantity	700
Packaging Method	Box



Other

Serviceable	Yes
Connector Position Assurance Capable	No

Product Compliance

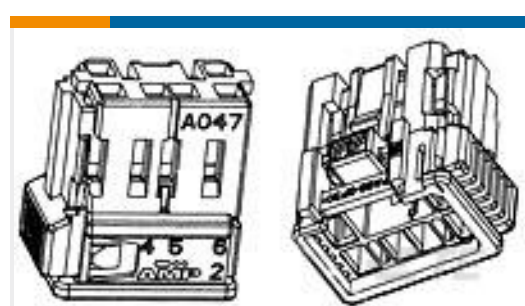
[For compliance documentation, visit the product page on TE.com>](#)

EU RoHS Directive 2011/65/EU	Compliant
EU ELV Directive 2000/53/EC	Compliant
China RoHS 2 Directive MIIT Order No 32, 2016	No Restricted Materials Above Threshold
EU REACH Regulation (EC) No. 1907/2006	Current ECHA Candidate List: JUNE 2022 (224) Candidate List Declared Against: JUNE 2022 (224) Does not contain REACH SVHC
Halogen Content	Low Halogen - Br, Cl, F, I < 900 ppm per homogenous material. Also BFR/CFR/PVC Free
Solder Process Capability	Not applicable for solder process capability

Product Compliance Disclaimer

This information is provided based on reasonable inquiry of our suppliers and represents our current actual knowledge based on the information they provided. This information is subject to change. The part numbers that TE has identified as EU RoHS compliant have a maximum concentration of 0.1% by weight in homogenous materials for lead, hexavalent chromium, mercury, PBB, PBDE, DBP, BBP, DEHP, DIBP, and 0.01% for cadmium, or qualify for an exemption to these limits as defined in the Annexes of Directive 2011/65/EU (RoHS2). Finished electrical and electronic equipment products will be CE marked as required by Directive 2011/65/EU. Components may not be CE marked. Additionally, the part numbers that TE has identified as EU ELV compliant have a maximum concentration of 0.1% by weight in homogenous materials for lead, hexavalent chromium, and mercury, and 0.01% for cadmium, or qualify for an exemption to these limits as defined in the Annexes of Directive 2000/53/EC (ELV). Regarding the REACH Regulation, the information TE provides on SVHC in articles for this part number is based on the latest European Chemicals Agency (ECHA) 'Guidance on requirements for substances in articles' posted at this URL: <https://echa.europa.eu/guidance-documents/guidance-on-reach>

Compatible Parts



TE Part # 282991-3  
CONN.NEW GEN.F. TRUCK



TE Part # CAT-M9194-T273  
MULTILOCK, RECEPTACLE AND TAB

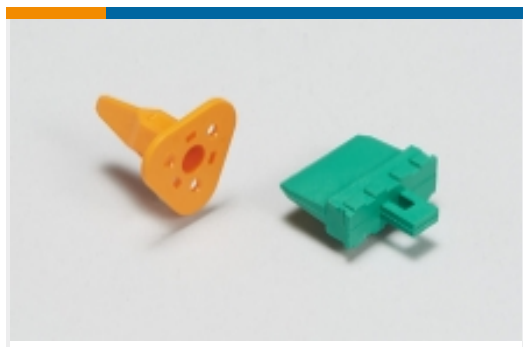
Also in the Series | **Multilock Connector System**



Automotive Connector Caps & Covers (16)



Automotive Connector EMC Shielding (1)



Automotive Connector Locks & Position Assurance(2)



Automotive Housings(575)



Automotive Seals & Cavity Plugs(2)



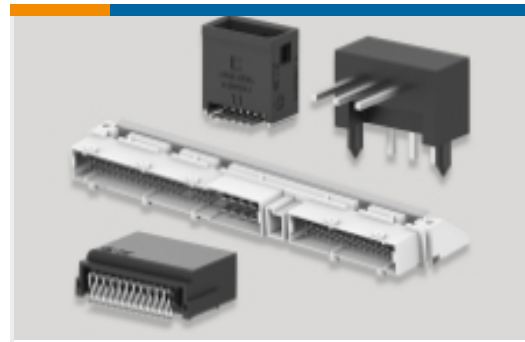
Automotive Terminals(140)



Insertion & Extraction Tools(6)



Other Automotive Connector Accessories(9)



PCB Headers & Receptacles(129)

## Customers Also Bought



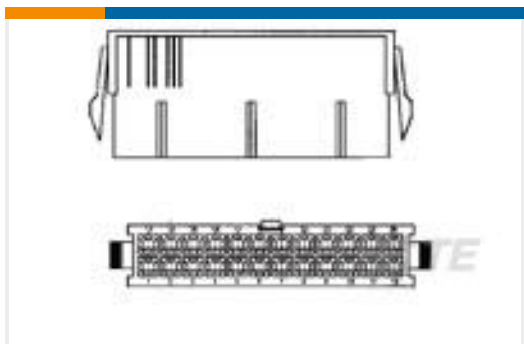
TE Part #151325-1  
FF 250 REC HSG 11P NYLON NAT



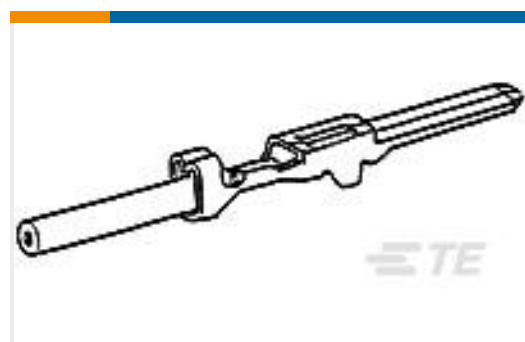
TE Part #927231-7  
UMNL 9 WAY CAP HOUSING



TE Part #964201-1  
STD TIMER CONTACT



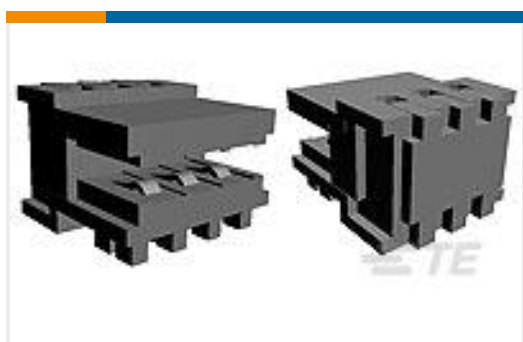
TE Part #794953-2  
2P PM PLUG VAL-U-LOK V2



TE Part #345212-1  
070 SERIES TAB



TE Part #926681-3  
12P UNIV.CAP HSG.



TE Part #3-829868-4  
13X 4P FEDERLEI 2,5



TE Part #1241965-2  
STD TIMER HOUSING 2POS



## Documents

### Product Drawings

TAB CONN.NEW GEN.F.TRUCK

English

### CAD Files

3D PDF

3D

Customer View Model

ENG\_CVM\_CVM\_282994-3\_B.2d\_dxf.zip

English

Customer View Model

ENG\_CVM\_CVM\_282994-3\_B.3d\_igs.zip

English

Customer View Model

ENG\_CVM\_CVM\_282994-3\_B.3d\_stp.zip

English

By downloading the CAD file I accept and agree to the [Terms and Conditions](#) of use.

### Datasheets & Catalog Pages

MULTILOCK Connector System

English

### Product Specifications

NEW GENERATION 070 MULTILOCK CONNECTORS

English

Product Specification

English

### Instruction Sheets

MULTILOCK 070 NEW GENERATION CONNECTORS

English

Instruction Sheet (non U.S.)

English