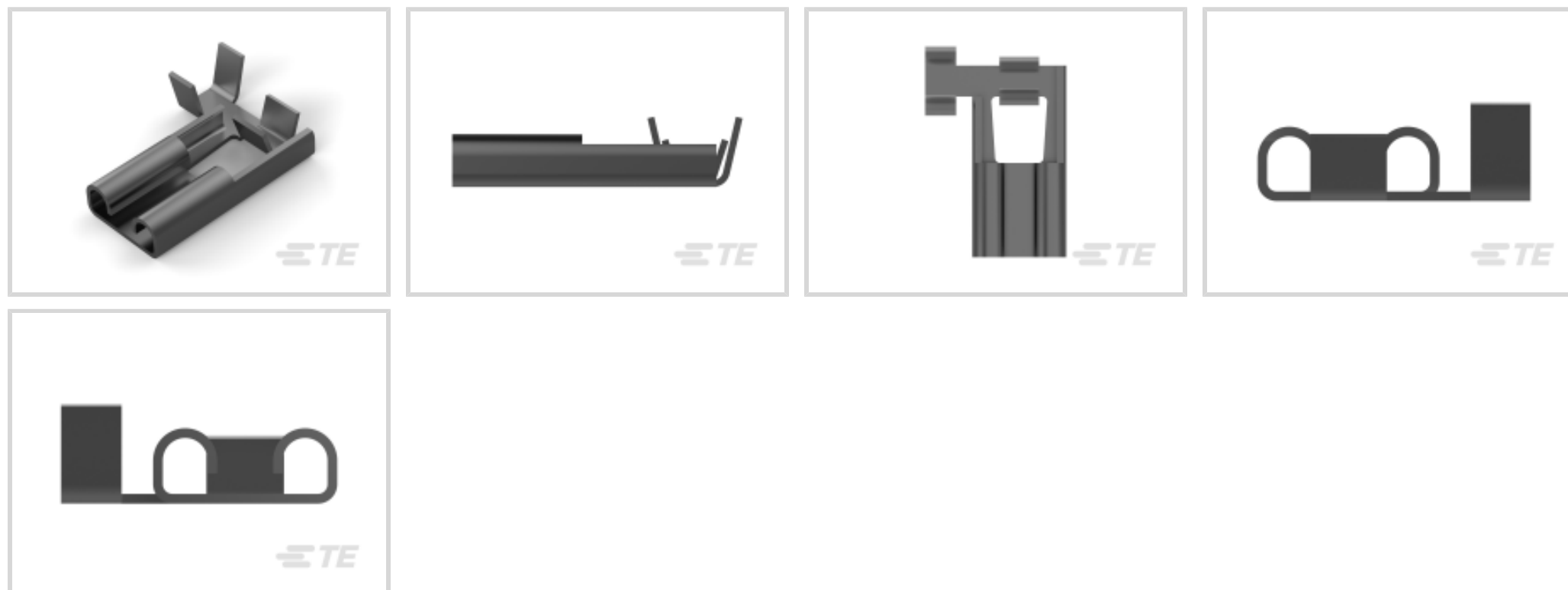




Terminals & Splices > Quick Disconnects



Quick Disconnect Terminal Type: **Receptacle**

Wire Size: .5 – 1.5 mm²

Mating Tab Width: 6.35 mm [.25 in]

Mating Tab Thickness: .81 mm [.032 in]

Features

Product Type Features

Terminates To	Wire & Cable
Wire/Cable Type	Regular Wire
Wire Stop	No
Insertion Force	Normal
Sealable	No

Configuration Features

Connection Capacity	Single
---------------------	--------

Electrical Characteristics

Voltage (Max)	250 V
---------------	-------

Contact Features

Quick Disconnect Terminal Type	Receptacle
Mating Tab Width	6.35 mm [.25 in]
Mating Tab Thickness	.81 mm [.032 in]
Terminal Orientation	Flag



Contact Base Material	Brass
Terminal Plating Material	Tin
Crimp Type	F-Crimp
Barrel Type	Open

Mechanical Attachment

Mating Retention Type	Dimple
Wire Insulation Support	With

Dimensions

Accepts Wire Insulation Diameter Range	2.36 – 3.3 mm [.093 – .13 in]
Receptacle Terminal Stock Thickness	.41 mm [.016 in]
Overall Length	16.8 mm [.661 in]
Wire Size	.5 – 1.5 mm ²

Usage Conditions

Insulation Option	Uninsulated
Operating Temperature Range	-40 – 110 °C [-40 – 230 °F]

Industry Standards

UL Flammability Rating	UL 94V-2
UL Rating	Recognized

Packaging Features

Packaging Quantity	4000
Packaging Method	Strip/Reel

Other

Line	Premier
Comment	Versions according DIN 46345

Product Compliance

[For compliance documentation, visit the product page on TE.com>](#)

EU RoHS Directive 2011/65/EU	Compliant
EU ELV Directive 2000/53/EC	Compliant
China RoHS 2 Directive MIIT Order No 32, 2016	No Restricted Materials Above Threshold
EU REACH Regulation (EC) No. 1907/2006	Current ECHA Candidate List: JUNE 2022 (224)



Candidate List Declared Against: JAN 2022
(223)
SVHC > Threshold:
Not Yet Reviewed

Halogen Content
Low Halogen - Br, Cl, F, I < 900 ppm per homogenous material. Also BFR/CFR/PVC Free

Solder Process Capability
Not applicable for solder process capability

Product Compliance Disclaimer

This information is provided based on reasonable inquiry of our suppliers and represents our current actual knowledge based on the information they provided. This information is subject to change. The part numbers that TE has identified as EU RoHS compliant have a maximum concentration of 0.1% by weight in homogenous materials for lead, hexavalent chromium, mercury, PBB, PBDE, DBP, BBP, DEHP, DIBP, and 0.01% for cadmium, or qualify for an exemption to these limits as defined in the Annexes of Directive 2011/65/EU (RoHS2). Finished electrical and electronic equipment products will be CE marked as required by Directive 2011/65/EU. Components may not be CE marked. Additionally, the part numbers that TE has identified as EU ELV compliant have a maximum concentration of 0.1% by weight in homogenous materials for lead, hexavalent chromium, and mercury, and 0.01% for cadmium, or qualify for an exemption to these limits as defined in the Annexes of Directive 2000/53/EC (ELV). Regarding the REACH Regulation, the information TE provides on SVHC in articles for this part number is based on the latest European Chemicals Agency (ECHA) 'Guidance on requirements for substances in articles' posted at this URL: <https://echa.europa.eu/guidance-documents/guidance-on-reach>

Compatible Parts



TE Part # 180388-2
250 FASTON,REC.,20-16 AWG,TPBR



TE Part # 1855420-3
HDM w/FA SMPR100F140F G (CUT)



TE Part # 190735-7
250 FASTON,FLAG,REC.,20-16 AWG, PTBR



TE Part # 2-2836223-2
OCEAN_2.0_Applicator-S-100F140F



TE Part # 2376595-2
250 FASTON PCB TAB TPBR



TE Part # 2836223-2
OCEAN_2.0_Applicator-S-100F140F



TE Part # 7-2836223-2
OCEAN_2.0_Applicator-S-100F140F



KIT
TE Part # 7-2836223-7
OCEAN_2.0_SPARE_PART_KIT-100F140F



TE Part # 2376591-3
250 FASTON PCB TAB TPBR LP

Also in the Series | FASTON 250



Compression Connectors(4)



Crimp Terminal Housings(143)



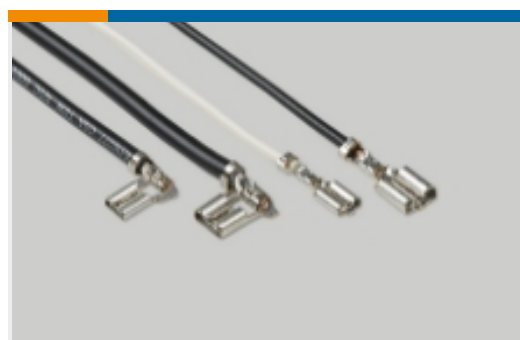
Insertion & Extraction Tools(6)



Magnet Wire Terminals(1)



PCB Terminals(144)

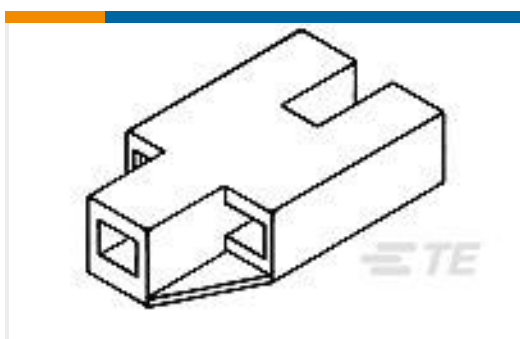


Quick Disconnects(456)



Splices(4)

Customers Also Bought



TE Part #360050-1
090 DIA CLSTR BLK



TE Part #150500-2
110 MINI FASTON,REC.,24-20 AWG, TPBR



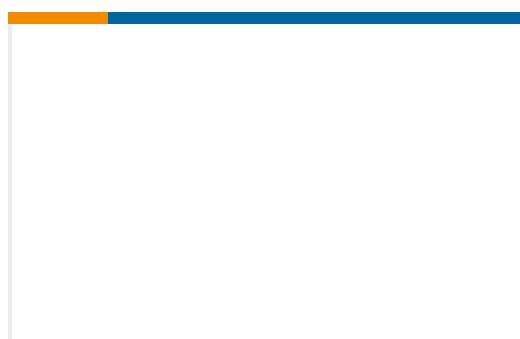
TE Part #63316-5
187 FASTON FLAG REC 18-14 AWG TPBR



TE Part #1676253-2
RN 0805 21K5 0.1% 10PPM 1KRL



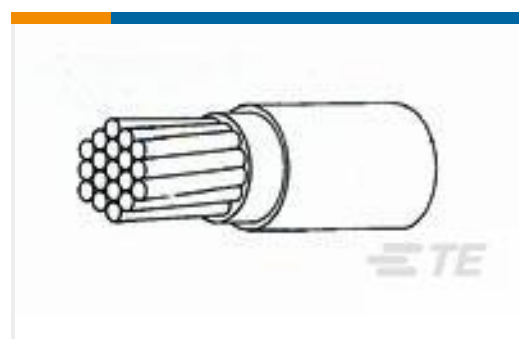
TE Part #2-1625868-1
RP 2A 0.25W 2K0 0.1% 25PPM 1K RL



TE Part #1-927985-1
AMP-QUICK KONTAKT



TE Part #928205-3
3P TELFIX BU-GEH



TE Part #282511-000
44A0311-14-9-US



Documents

Product Drawings

[250 FASTON,FLAG,REC.,16-20 AWG,TPPB](#)

English

CAD Files

[3D PDF](#)

3D

Customer View Model

[ENG_CVM_CVM_280050-7_BC.2d_dxf.zip](#)

English

Customer View Model

[ENG_CVM_CVM_280050-7_BC.3d_igs.zip](#)

English

Customer View Model

[ENG_CVM_CVM_280050-7_BC.3d_stp.zip](#)

English

By downloading the CAD file I accept and agree to the [Terms and Conditions](#) of use.

Product Specifications

[FASTON & FASTIN-FASTON conn. .250 srs. flag rec. etc.](#)

[Application Specification](#)

Product Environmental Compliance

[Product Compliance](#)

English

[Product Compliance](#)

English

Agency Approvals

[UL Report](#)

English