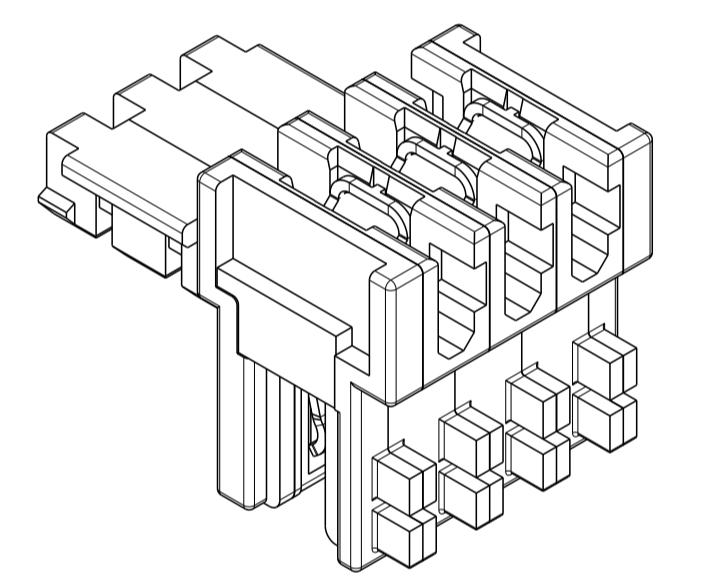
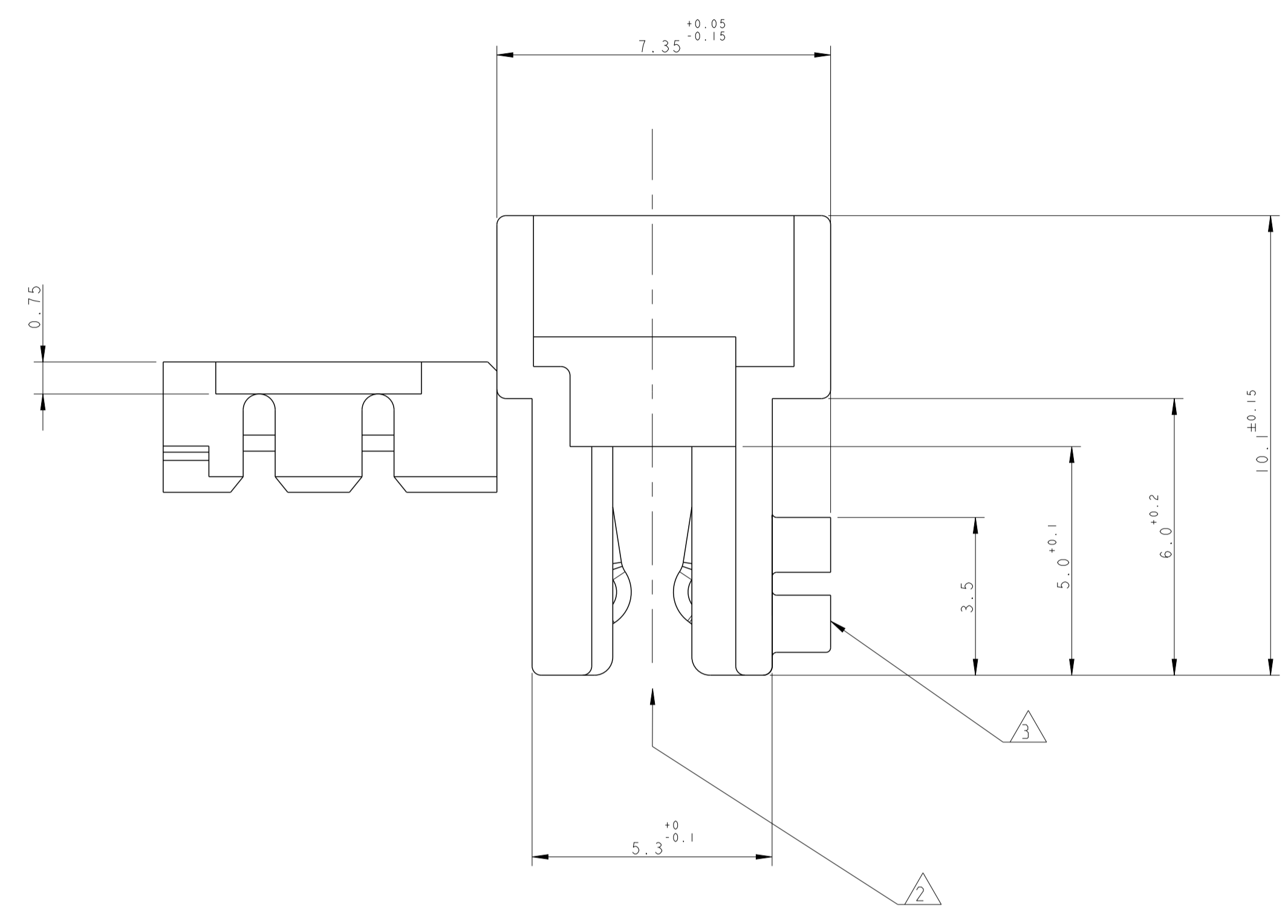
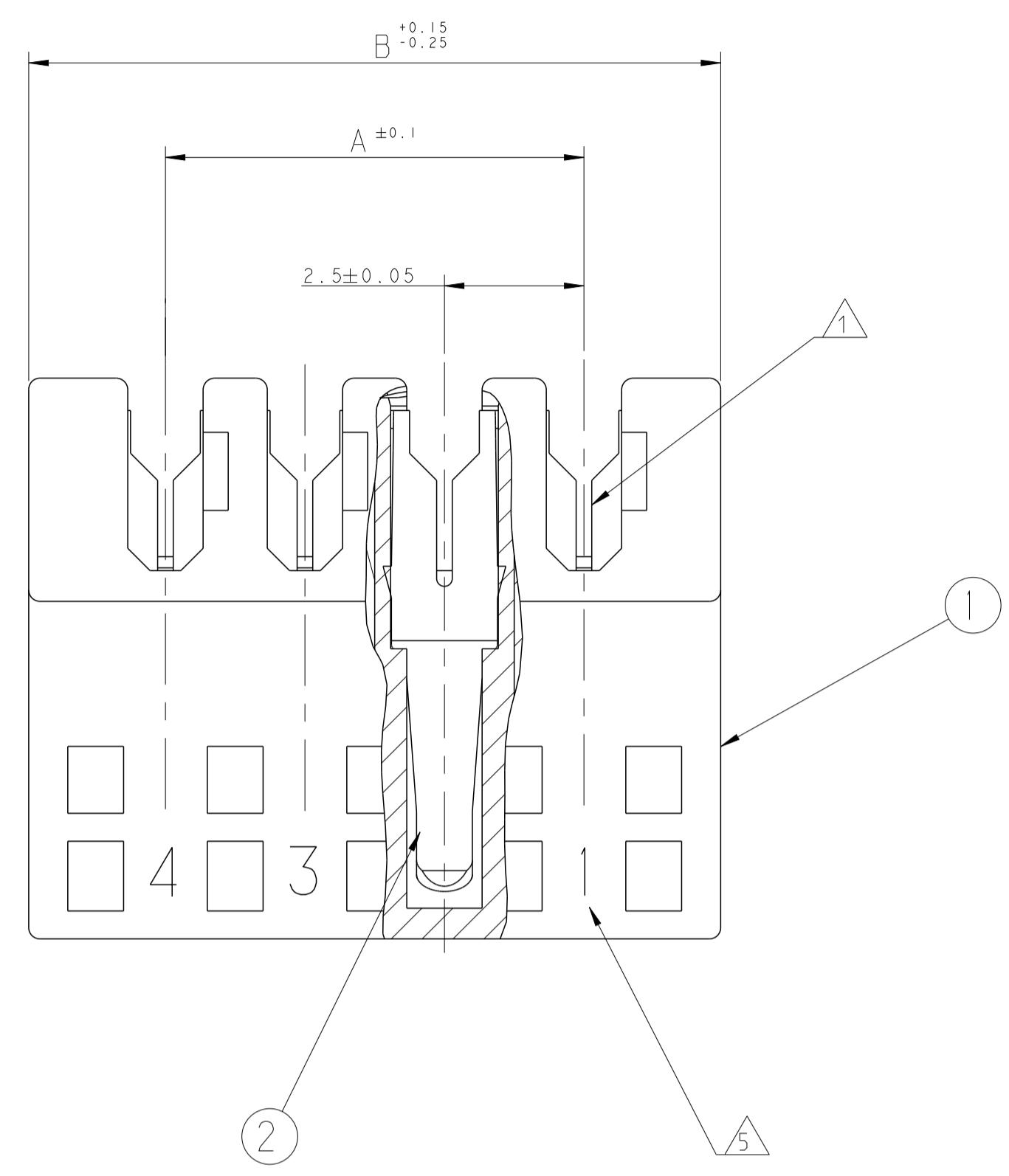
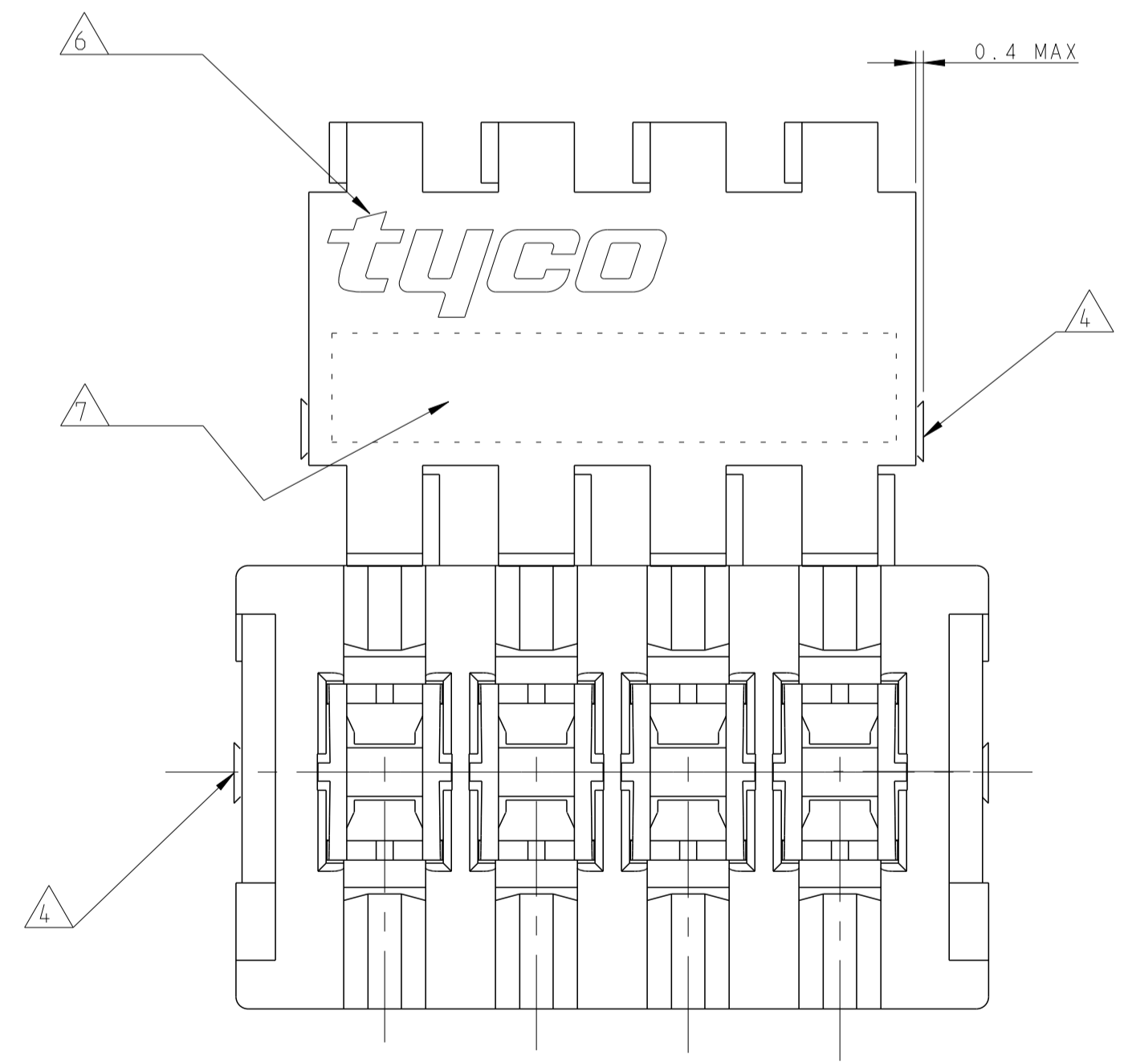


LOC		DIST		REVISIONS			
P	LTN	DESCRIPTION	DATE	DWN	APVD		
A10		REVISED PER ECR-15-012073	13AUG2015	NK	WW		
A12		ECR-16-016334	17NOV2016	FV	RR		
A13		ECR-17-009651	19JUL2017	RS	DC		



P/N 0-284930-3 AS SHOWN



- 1 WIRE RANGE : STRANDED 0.22-0.35 mm² (INS. DIA. 1.30±0.1)
- 2 MATING PART: TAB HEADER P/N 829866;
PCB FRAME P/N 964575 (PCB THK 1.5±0.14 COPPER CLADDING INCLUDED)
SEE PRODUCT SPEC. 108-18056 FOR FRAME APPLICATION
- 3 KEYING RIBS TO BE REMOVED BY TERMINATION MACHINE
- 4 CUT OFF DIMENSION DUE TO PRODUCTION PROCESS
- 5 CIRCUIT No. IDENTIFICATION
- 6 TYCO ELECTRONICS TRADEMARK (OPTIONAL POSITION)
- 7 TAMPOGRAPHIC COLOUR CODE AREA
(P/Ns IDENTIFICATION BEFORE CRIMPING)
- 8 OBSOLETE PARTS: OBSOLETE CIS STREAMLINING PER D.RENAUD/D.SINISI
- 9 PBT GF
- 10 PBT GF, UL94-V0 & GWEPT 750 NO-FLAME, NATURAL

COLOUR CODE	HSG POS.	DIM.A	DIM.B	TE P/N	REV		
OBSOLETE	NATURAL	13	30.0	34.9	5x	1-284930-3	-
-	-	11	25.0	29.9	6x	1-284930-1	2311501-1
OBSOLETE	NATURAL	10	22.5	27.4	6x	1-284930-0	-
OBSOLETE	NATURAL	8	17.5	22.4	8x	2-284930-8	-
-	-	7	15.0	19.9	8x	0-284930-8	2311500-8
-	BLUE	6	12.5	17.4	10x	2-284930-6	1-2311500-6
-	-	6	12.5	17.4	10x	0-284930-6	2311500-6
OBSOLETE	NATURAL	5	10.0	14.9	11x	2-284930-5	-
-	-	5	10.0	14.9	11x	0-284930-5	2311500-5
OBSOLETE	NATURAL	4	7.5	12.4	13x	3-284930-4	-
-	RED	4	7.5	12.4	13x	2-284930-4	1-2311500-4
-	-	4	7.5	12.4	13x	0-284930-4	2311500-4
OBSOLETE	NATURAL	3	5.0	9.9	16x	5-284930-3	-
OBSOLETE	BLUE	3	5.0	9.9	16x	4-284930-3	-
OBSOLETE	BROWN	3	5.0	9.9	16x	3-284930-3	-
-	GREEN	3	5.0	9.9	16x	2-284930-3	2-2311500-3
-	-	3	5.0	9.9	16x	0-284930-3	1-2311500-3
COLOUR CODE	HSG POS.	DIM.A	DIM.B	TE P/N	REV		

SEE TABLE	PH. BRONZE, TIN PLATED	IDC RECEPTACLE CONTACT	2	DIMENSIONS: mm		TOLERANCES UNLESS OTHERWISE SPECIFIED:		THIS DRAWING IS A CONTROLLED DOCUMENT.		DWN R. FABRIS 27FEB2004	CHK -	COLOUR CODE	HSG POS.	DIM.A	DIM.B	TE P/N	REV	
Q.TY	MATERIAL	DESCRIPTION	ITEM	0 PLC ±0.2	1 PLC ±0.2	2 PLC ±0.2	3 PLC ±0.2	4 PLC ±0.2	ANGLES ±°	FINISH	114-18049-1	108-18056	114-18049-1	114-18049-1	114-18049-1	114-18049-1	114-18049-1	114-18049-1
REVISIONE DELL'ASSEMBLATO (REVISION OF EACH ASSY NO)										APVD G. TURCO 27FEB2004		NAME		DUOPLUG 2.5 FEMALE CONNECTOR STANDARD VERSION (FULLY LOADED)		RESTRICTED TO		
ELENCO DEI COMPONENTI (PARTS LIST)										MATERIAL SEE TABLE		SIZE		CAGE CODE DRAWING NO		SCALE 5:1 SHEET 1 OF 1 REV A13		
0.24 PER ASSEMBLATO (0.075 PER ASSY)										CUSTOMER DRAWING		A100779C=284930		SCALE 5:1 SHEET 1 OF 1 REV A13				