

PLEASE CHECK WWW.MOLEX.COM FOR LATEST PART INFORMATION

Part Number: [0026013091](#)
Status: **Active**
Overview: Standard .062" Pin and Socket Power Connectors
Description: 1.57mm Diameter Standard .062" Pin and Socket Plug Housing, 2 Circuits, with Pre-Bent Mounting Ears, Natural, Glow-Wire Capable

Documents:

| | |
|--------------------------------|---|
| 3D Model | Product Specification PS-02-06-001 (PDF) |
| 3D Model (PDF) | Packaging Specification PK-1625-003-001 (PDF) |
| Drawing (PDF) | RoHS Certificate of Compliance (PDF) |

Agency Certification

| | |
|-----|---------|
| CSA | LR19980 |
| UL | E29179 |

General

| | |
|----------------|--|
| Product Family | Crimp Housings |
| Series | 1625 |
| Application | Power, Wire-to-Wire |
| Comments | Polarized to Mating Part |
| Overview | Standard .062" Pin and Socket Power Connectors |
| Product Name | Standard .062" |
| UPC | 884982204195 |

Physical

| | |
|-------------------------------|----------------|
| Circuits (maximum) | 2 |
| Circuits Detail | 1x2 |
| Color - Resin | Natural |
| Flammability | 94V-2 |
| Gender | Plug |
| Glow-Wire Capable | Yes |
| Keying to Mating Part | None |
| Lock to Mating Part | Yes |
| Material - Resin | Nylon |
| Net Weight | 1.200/kg |
| Number of Rows | 1 |
| Packaging Type | Bag |
| Panel Mount | Yes |
| Pitch - Mating Interface | 3.68mm |
| Pitch - Termination Interface | 3.68mm |
| Polarized to Mating Part | Yes |
| Stackable | No |
| Temperature Range - Operating | -40° to +105°C |

Electrical

| | |
|-------------------------------|------|
| Current - Maximum per Contact | 5.0A |
|-------------------------------|------|

Solder Process Data

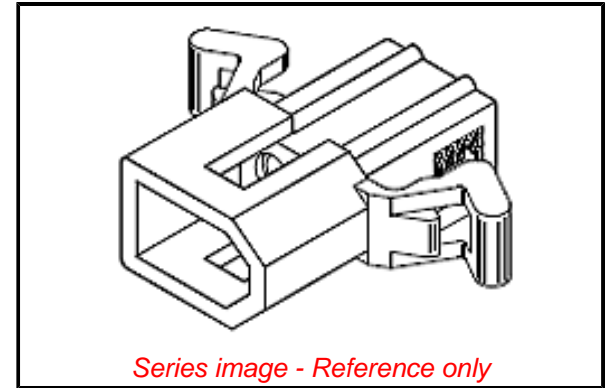
| | |
|-----------------------------|-----|
| Lead-freeProcess Capability | N/A |
|-----------------------------|-----|

Material Info

| | |
|--------------------|------------|
| Engineering Number | 1625-2P2-1 |
|--------------------|------------|

Reference - Drawing Numbers

| | |
|-------------------------|-----------------|
| Packaging Specification | PK-1625-003-001 |
| Product Specification | PS-02-06-001 |
| Sales Drawing | SD-1625-002-001 |



EU ELV

Not Relevant

EU RoHS

Compliant

REACH SVHC

Not Contained Per -
D(2020)4578-DC (25
June 2020)

Halogen-Free

Status

Not Low-Halogen

For more information, please visit [Contact US](#)

China ROHS

ELV

RoHS Phthalates

China RoHS

Green Image

Not Relevant

Not Contained

Search Parts in this Series

[1625 Series](#)

Mates With

[26013092](#)

Use With

Female Crimp Terminals [1561](#) , [4559](#) , [4529](#) , [2190](#) , [2189](#) , [1787](#) , [1855](#) . Male Crimp Terminals [1560](#) , [1786](#) , [1854](#) . [1778](#) Male PC Tail Terminals. [1779](#) Female PC Tail Terminals

This document was generated on 07/16/2020

PLEASE CHECK WWW.MOLEX.COM FOR LATEST PART INFORMATION