

2299280-1 ✓ ACTIVE

POD-LOK | POD-LOK 250

TE Internal #: 2299280-1

Quick Disconnects, Receptacle, 22 – 18 AWG Wire Size, .3 – 1 mm²

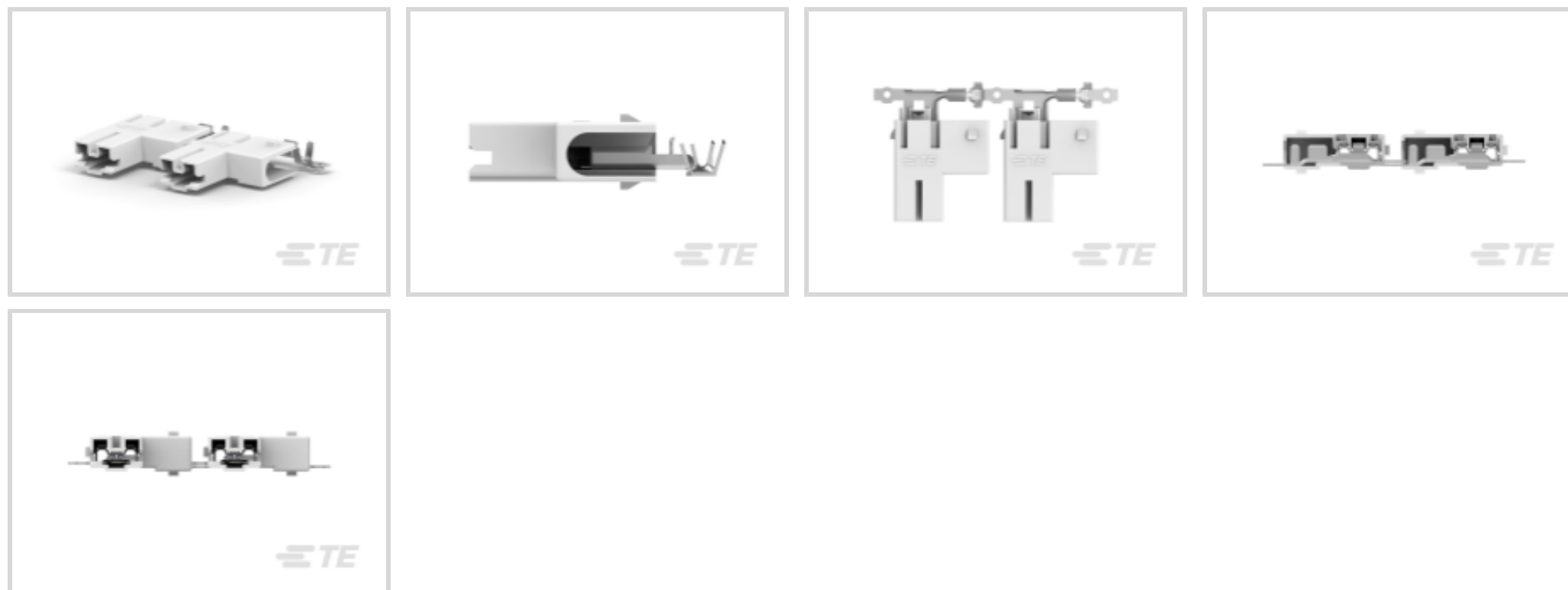
Wire Size, Mating Tab Width .25 in [6.35 mm], Flag, Brass, POD-

LOK 250

[View on TE.com >](#)



Terminals & Splices > Quick Disconnects



Quick Disconnect Terminal Type: **Receptacle**

Wire Size: .3 – 1 mm²

Mating Tab Width: 6.35 mm [.25 in]

Mating Tab Thickness: .81 mm [.032 in]

Features

Product Type Features

Terminates To	Wire & Cable
Wire/Cable Type	Regular Wire
Insertion Force	Low
Sealable	No

Configuration Features

Connection Capacity	Single
---------------------	--------

Electrical Characteristics

Voltage (Max)	600 V
---------------	-------

Contact Features

Quick Disconnect Terminal Type	Receptacle
Mating Tab Width	6.35 mm [.25 in]
Mating Tab Thickness	.81 mm [.032 in]
Terminal Orientation	Flag
Contact Base Material	Brass



Terminal Plating Material	Pre-Tin
---------------------------	---------

Crimp Type	F-Crimp
------------	---------

Barrel Type	Open
-------------	------

Mechanical Attachment

Wire Insulation Support	With
-------------------------	------

Dimensions

Accepts Wire Insulation Diameter Range	2.2 – 3 mm [.09 – .13 in]
--	---------------------------

Receptacle Terminal Stock Thickness	.41 mm [.016 in]
-------------------------------------	------------------

Wire Size	.3 – 1 mm ²
-----------	------------------------

Usage Conditions

Insulation Option	Uninsulated
-------------------	-------------

Operating Temperature Range	-40 – 110 °C [-40 – 230 °F]
-----------------------------	-----------------------------

Industry Standards

RU (UL Component Program)	No
---------------------------	----

UL Rating	Recognized
-----------	------------

UL Flammability Rating	UL 94V-0
------------------------	----------

Packaging Features

Packaging Quantity	2400
--------------------	------

Packaging Method	Strip/Reel
------------------	------------

Product Compliance

[For compliance documentation, visit the product page on TE.com>](#)

EU RoHS Directive 2011/65/EU	Compliant
------------------------------	-----------

EU ELV Directive 2000/53/EC	Compliant
-----------------------------	-----------

China RoHS 2 Directive MIIT Order No 32, 2016	No Restricted Materials Above Threshold
---	---

EU REACH Regulation (EC) No. 1907/2006	Current ECHA Candidate List: JUNE 2022 (224) Candidate List Declared Against: JAN 2022 (223) SVHC > Threshold: Not Yet Reviewed
--	--

Halogen Content	Not Low Halogen - contains Br or Cl > 900 ppm.
-----------------	--

Solder Process Capability	Not reviewed for solder process capability
---------------------------	--



Product Compliance Disclaimer

This information is provided based on reasonable inquiry of our suppliers and represents our current actual knowledge based on the information they provided. This information is subject to change. The part numbers that TE has identified as EU RoHS compliant have a maximum concentration of 0.1% by weight in homogenous materials for lead, hexavalent chromium, mercury, PBB, PBDE, DBP, BBP, DEHP, DIBP, and 0.01% for cadmium, or qualify for an exemption to these limits as defined in the Annexes of Directive 2011/65/EU (RoHS2). Finished electrical and electronic equipment products will be CE marked as required by Directive 2011/65/EU. Components may not be CE marked. Additionally, the part numbers that TE has identified as EU ELV compliant have a maximum concentration of 0.1% by weight in homogenous materials for lead, hexavalent chromium, and mercury, and 0.01% for cadmium, or qualify for an exemption to these limits as defined in the Annexes of Directive 2000/53/EC (ELV). Regarding the REACH Regulation, the information TE provides on SVHC in articles for this part number is based on the latest European Chemicals Agency (ECHA) 'Guidance on requirements for substances in articles' posted at this URL: <https://echa.europa.eu/guidance-documents/guidance-on-reach>

Compatible Parts



TE Part # 2299280-2
 POD-LOK 250 FLAG AWG 16-14
 PTPBR GF



TE Part # 2299280-3
 POD-LOK 250 FLAG AWG 14-12 TPBR
 GF



TE Part # CAT-P842-187045
 POD LOK: Flag, Receptacle Assembly,
 Tin Plated, 0.187 inch



TE Part # 1855704-1
 ULTRA LOCK FLAG APPLICATOR
 080F140BX



TE Part # 2299281-2
 POD-LOK 250 FLAG RCPT.AWG 22-18
 PTPBR



TE Part # 3-2299280-1
 POD-LOK 250 FLAG AWG 22-18
 PTPBR GF



TE Part # 3-2299280-2
 POD-LOK 250 FLAG AWG 16-14
 PTPBR GF




TE Part # 3-2299280-3
 POD-LOK 250 FLAG AWG 14-12 TPBR
 GF

Also in the Series | POD-LOK 250



Insulation Boots & Sleeves(1)

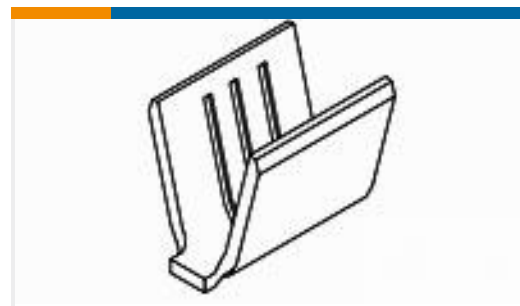


Quick Disconnects(6)

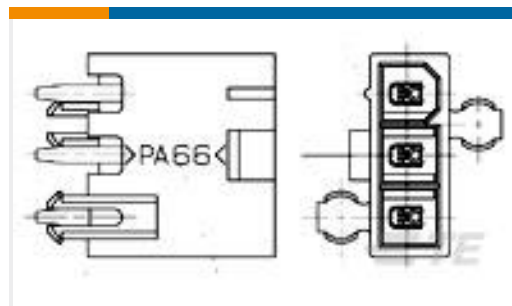
Customers Also Bought



TE Part #2-320863-2
TERMINAL,PIDG SPD FLG 16-14 10



TE Part #61492-1
SPLICE 2048-5250 .020 BR



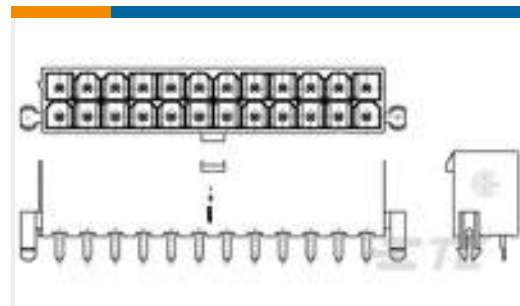
TE Part #2029056-3
3P VAL-U-LOK SR HDR SN V0 W/DH



TE Part #52263-4
TERMINAL R PG 8 10



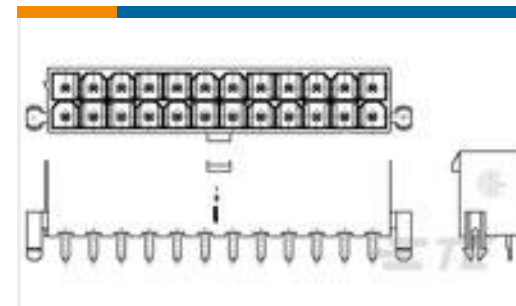
TE Part #2299282-2
POD-LOK 250 STR. AWG 18-14 PTPBR
GF



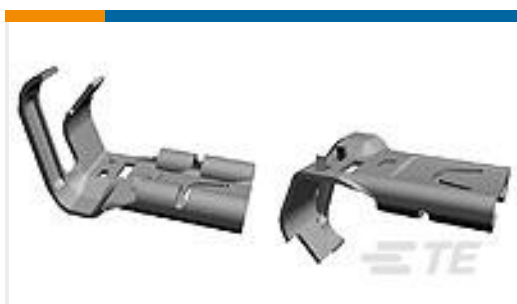
TE Part #1-1586040-0
10P VAL-U-LOK VRT HDR W/P V0



TE Part #42741-2
250 FASTON FLAG REC 18-14 AWG
TPBR



TE Part #1-1586040-4
14P VAL-U-LOK VRT HDR W/P V0



TE Part #63445-4
250 FASTON FLAG REC 18-12 AWG
TPBR

Documents

Product Drawings

[POD-LOK 250 FLAG AWG 22-18 PTPBR GF](#)

English

CAD Files

[3D PDF](#)

3D

Customer View Model

[ENG_CVM_CVM_2299280-1_A.2d_dxf.zip](#)

English

Customer View Model

[ENG_CVM_CVM_2299280-1_A.3d_igs.zip](#)

English

Customer View Model

[ENG_CVM_CVM_2299280-1_A.3d_stp.zip](#)

English

By downloading the CAD file I accept and agree to the [Terms and Conditions](#) of use.

Datasheets & Catalog Pages



[pod-lok_receptacles_qrg](#)

English

[Product Specifications](#)

[Application Specification](#)

English

[Product Environmental Compliance](#)

[TE Material Declaration](#)

English

[Agency Approvals](#)

[VDE Certificate](#)

English