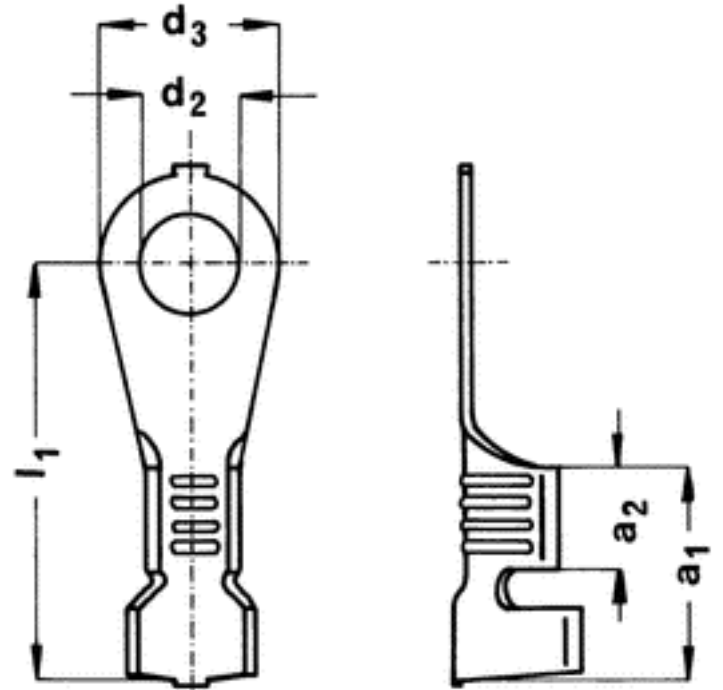




Characteristics and dimensions of terminals

| | |
|---------------------------------|-------------------------|
| Part number | 25237.123.011 |
| Specification | Claw terminal ring type |
| Material | CuZn |
| Surface / Colour | Sn 3 |
| Form | Chain form |
| Transport | Longitudinal transport |
| Single part | X |
| Packing unit / piece | 1000 |
| Section area (mm ²) | 2.50-6.00 |
| DIN | 46225 Form A |
| Nominal size | A10-6 |
| Material thickness (mm) | 0.80 |
| a ₁ | 11.00 |
| a ₂ | 4.50 |
| d ₂ | 10.50 |
| d ₃ | 18.50 |
| l ₁ | 27.00 |



Note: The drawing only gives an overview of the geometry of the part. The crimp area is shown as supplied in strip form. A technical drawing is available on request.

[Contents of your inquiry](#)

Packing Units (per 1000 pieces)

CW