



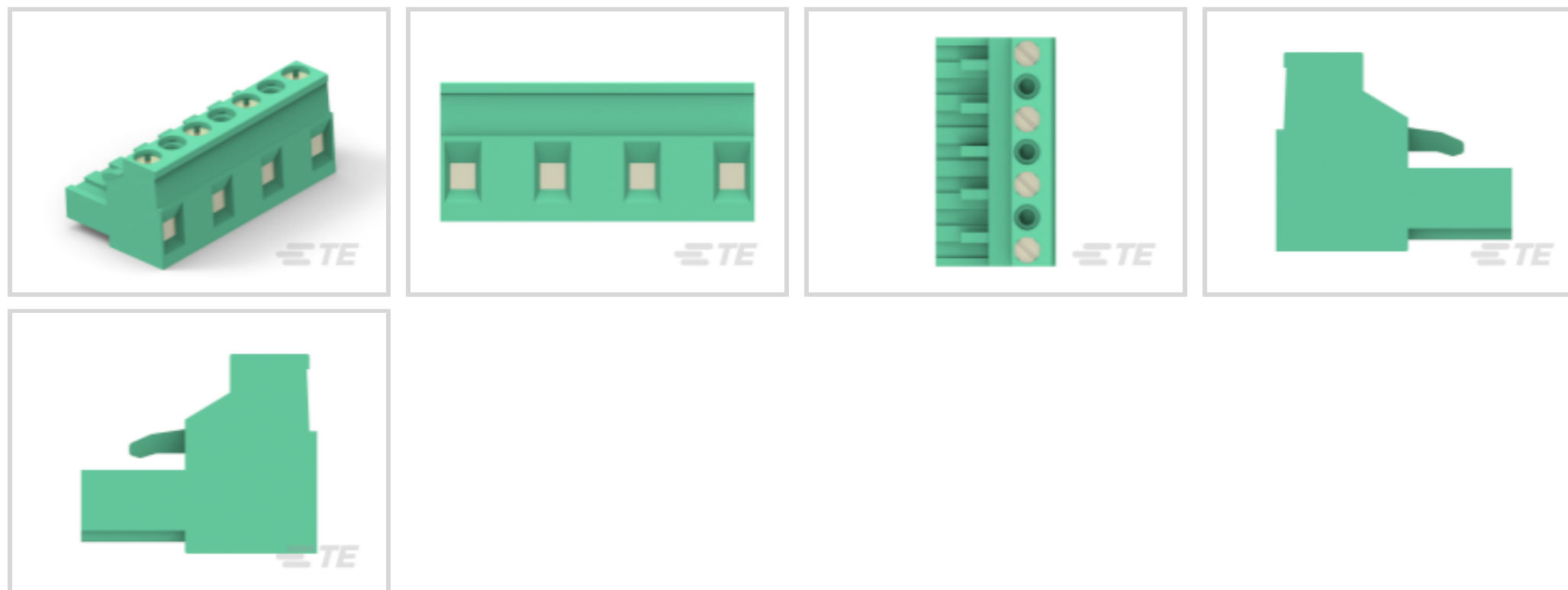
Buchanan

TE Internal #: 282808-3

PCB Terminal Blocks, Plug, Wire-to-Board, 3 Position, .394 in [10 mm] Centerline, 1 Row, Top Wire Entry Angle, 30 – 12 AWG Wire Size

[View on TE.com >](#)

Connectors > Terminal Blocks & Strips > PCB Terminal Blocks



Terminal Block Connector Type: **Plug**

Connector System: **Wire-to-Board**

Number of Positions: **3**

Centerline (Pitch): **10 mm [.394 in]**

Number of Rows: **1**

Features

Product Type Features

Wire Protection	With
Block Type	Stacking Plug
Terminal Block Connector Type	Plug
Connector System	Wire-to-Board
Connector & Contact Terminates To	Wire & Cable

Configuration Features

Number of Positions	3
Number of Rows	1
Wire Entry Angle	Top

Electrical Characteristics

Current Rating (Max)	15 A
Voltage Rating	600 VAC

Body Features

Interlock	With
-----------	------



Color	Green
-------	-------

Contact Features

Contact Mating Area Plating Material	Tin
Contact Base Material	Phosphor Bronze
Contact Current Rating (Max)	15 A

Mechanical Attachment

Screwless Terminal Block	No
Mounting Angle	Right Angle
Screw Size	M3
Screw Plating Material	Nickel
Screw Material	Brass
Screw Flange	Without

Housing Features

Housing Color	Green
Housing Material	PA 66
Centerline (Pitch)	10 mm [.394 in]

Dimensions

Wire Size	.03 – 2.5 mm ²
-----------	---------------------------

Usage Conditions

Operating Temperature Range	-40 – 105 °C [-40 – 221 °F]
-----------------------------	-----------------------------

Operation/Application

Circuit Application	Power & Signal
---------------------	----------------

Packaging Features

Packaging Quantity	150
--------------------	-----

Product Compliance

[For compliance documentation, visit the product page on TE.com>](#)

EU RoHS Directive 2011/65/EU	Compliant with Exemptions
EU ELV Directive 2000/53/EC	Compliant with Exemptions
China RoHS 2 Directive MIIT Order No 32, 2016	Restricted Materials Above Threshold
EU REACH Regulation (EC) No. 1907/2006	Current ECHA Candidate List: JUNE 2022 (224)



Candidate List Declared Against: JAN 2020
(205)
SVHC > Threshold:
Not Yet Reviewed

Halogen Content	Not Yet Reviewed for halogen content
Solder Process Capability	Not applicable for solder process capability

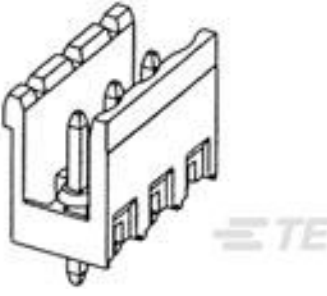
Product Compliance Disclaimer

This information is provided based on reasonable inquiry of our suppliers and represents our current actual knowledge based on the information they provided. This information is subject to change. The part numbers that TE has identified as EU RoHS compliant have a maximum concentration of 0.1% by weight in homogenous materials for lead, hexavalent chromium, mercury, PBB, PBDE, DBP, BBP, DEHP, DIBP, and 0.01% for cadmium, or qualify for an exemption to these limits as defined in the Annexes of Directive 2011/65/EU (RoHS2). Finished electrical and electronic equipment products will be CE marked as required by Directive 2011/65/EU. Components may not be CE marked. Additionally, the part numbers that TE has identified as EU ELV compliant have a maximum concentration of 0.1% by weight in homogenous materials for lead, hexavalent chromium, and mercury, and 0.01% for cadmium, or qualify for an exemption to these limits as defined in the Annexes of Directive 2000/53/EC (ELV). Regarding the REACH Regulation, the information TE provides on SVHC in articles for this part number is based on the latest European Chemicals Agency (ECHA) 'Guidance on requirements for substances in articles' posted at this URL: <https://echa.europa.eu/guidance-documents/guidance-on-reach>

Compatible Parts



TE Part # 282826-3
TERMI-BLOK HEADER,ASSY90 3P.



TE Part # 282827-3
TERMI-BLOK HEADER,ASSY90 3P.



TE Part # 282816-3
TERMI-BLOK HEADER,ASSY90 3P.



TE Part # 282817-3
TERMI-BLOK HEADER,ASSY90 3P.



TE Part # 1986834-3
3P HDR, 90DEG,SIDE STK,STAND OFF,10MM

Customers Also Bought



TE Part #T4171210004-001
M12, FRONT MOUNTING, MALE, A, 4P,
0.2M WIRE



TE Part #3-1461491-6
PCN-124D3MHZ, 000



TE Part #292227-2
1.5 MINI CT SGL H SMT W BOSS 2



TE Part #58628-1
PROCrimp T&D 26-14 ULTRAFast



TE Part #926893-3
UNIV. M-N-L SOCKET



TE Part #350736-1
15P UMNL PLUG HSG



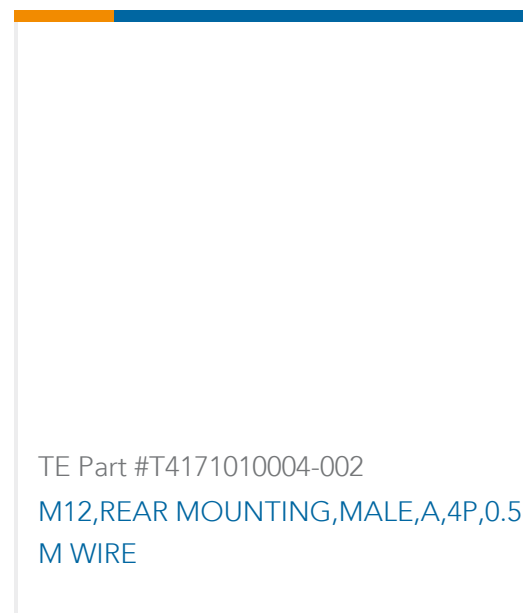
TE Part #T4082102004-000
M8 T DISTRIBUTOR MALE 4POS



TE Part #9-1419111-3
PT571024



TE Part #2-520183-2
ULTRA-FAST 250 ASY REC 22-18 TPBR



TE Part #T4171010004-002
M12, REAR MOUNTING, MALE, A, 4P, 0.5
M WIRE

Documents

Product Drawings

[TERMI-BLOK PLUG STACKING 3P.10](#)

English

CAD Files

[3D PDF](#)

3D

Customer View Model

[ENG_CVM_CVM_282808-3_C.2d_dxf.zip](#)

English

Customer View Model

[ENG_CVM_CVM_282808-3_C.3d_igs.zip](#)

English

Customer View Model

[ENG_CVM_CVM_282808-3_C.3d_stp.zip](#)

English

By downloading the CAD file I accept and agree to the [Terms and Conditions](#) of use.

Datasheets & Catalog Pages



[BUCHANAN TERMINAL BLOCKS CATALOG - EUROSTYLE TERMINAL BLOCKS](#)

English

[BUCHANAN PCB TERMINAL BLOCKS](#)

English

[1-1773458-1_EURO_STYLE_TERMINAL_BLOCKS_QRG](#)

English

[Product Specifications](#)

[Application Specification](#)

English