

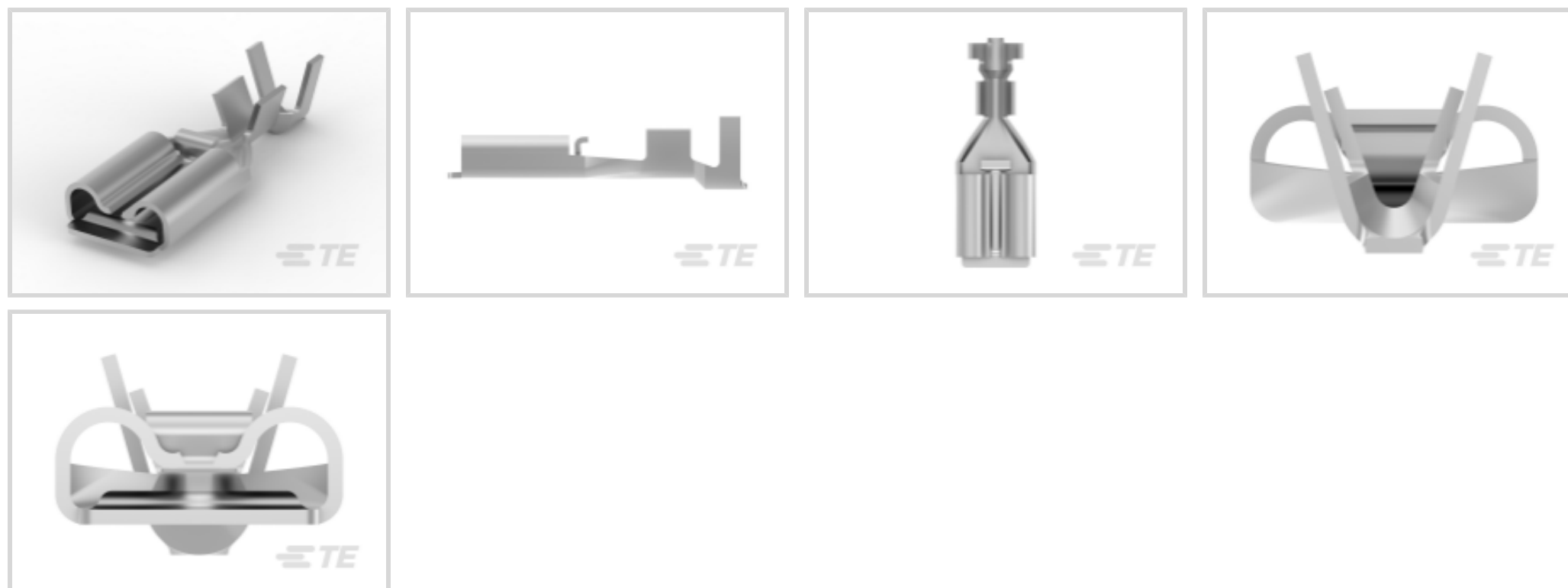


Positive Lock 250

TE Internal #: 2232958-1

TE Internal Description: 250 PL EX REC. 18-14AWG PTBR

[View on TE.com >](#)



### Product Compliance

[For compliance documentation, visit the product page on TE.com>](#)

EU RoHS Directive 2011/65/EU	Compliant
EU ELV Directive 2000/53/EC	Compliant
China RoHS 2 Directive MIIT Order No 32, 2016	No Restricted Materials Above Threshold
EU REACH Regulation (EC) No. 1907/2006	Current ECHA Candidate List: JUNE 2022 (224) Candidate List Declared Against: JAN 2022 (223) SVHC > Threshold: Not Yet Reviewed
Halogen Content	Low Halogen - Br, Cl, F, I < 900 ppm per homogenous material. Also BFR/CFR/PVC Free
Solder Process Capability	Not reviewed for solder process capability

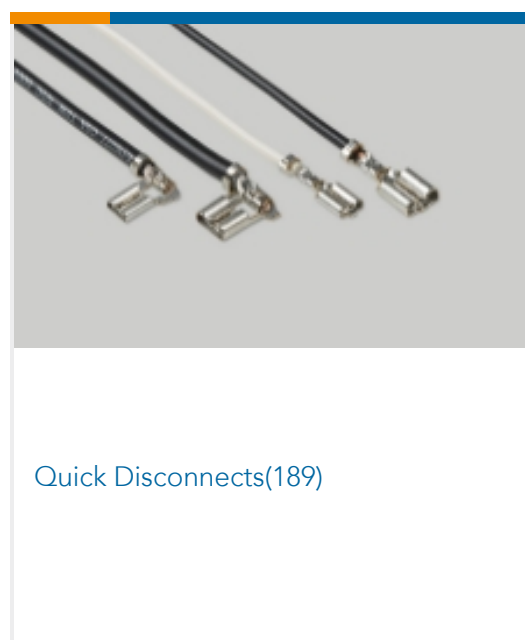
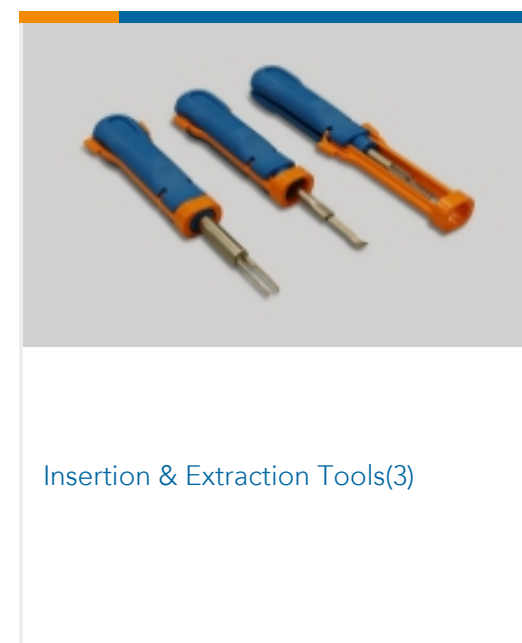
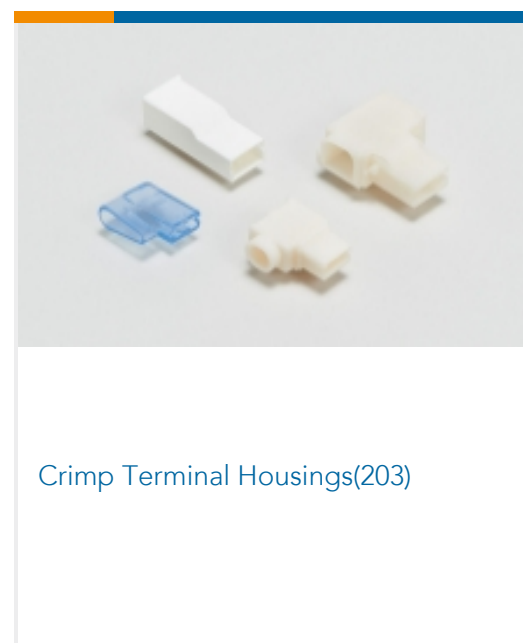
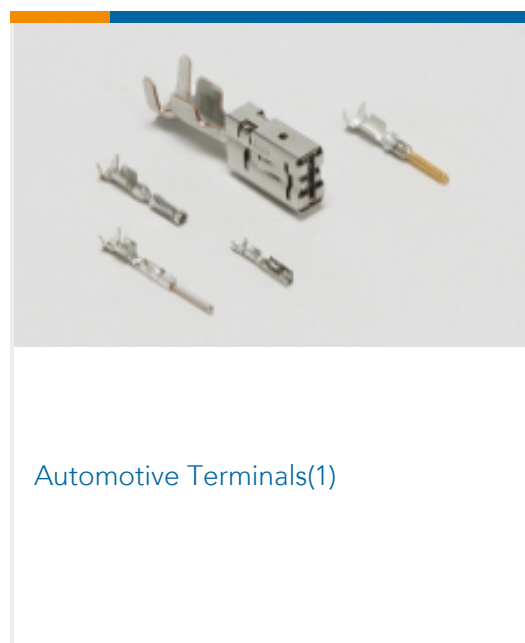
Product Compliance Disclaimer

This information is provided based on reasonable inquiry of our suppliers and represents our current actual knowledge based on the information they provided. This information is subject to change. The part numbers that TE has identified as EU RoHS compliant have a maximum concentration of 0.1% by weight in homogenous materials for lead, hexavalent chromium, mercury, PBB, PBDE, DBP, BBP, DEHP, DIBP, and 0.01% for cadmium, or qualify for an exemption to these limits as defined in the Annexes of Directive 2011/65/EU (RoHS2). Finished electrical and electronic equipment products will be CE marked as required by Directive 2011/65/EU. Components may not be CE marked. Additionally, the part numbers that TE has identified as EU ELV compliant have a maximum concentration of 0.1% by weight in homogenous materials for lead, hexavalent chromium, and mercury, and 0.01% for cadmium, or qualify for an exemption to these limits as defined in the Annexes of Directive 2000/53/EC (ELV). Regarding the REACH Regulation, the information TE provides on SVHC in articles for this part number is based on the latest European Chemicals Agency (ECHA) 'Guidance on requirements for substances in articles' posted at this URL: <https://echa.europa.eu/guidance-documents/guidance-on-reach>

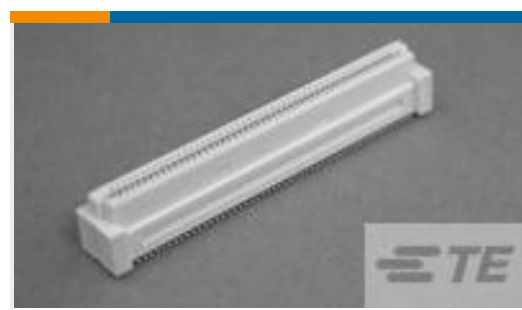
### Compatible Parts



Also in the Series | **Positive Lock 250**



Customers Also Bought



TE Part #5-5179180-5  
0.8FH,R09H.5,120,08/Sn,TR,SC



TE Part #177899-1  
POWER DBL LOCK PLUG HSG 3P



TE Part #177915-2  
AMP POWER DBL LOCK REC



TE Part #1-2132781-1  
11P EP-II HOUSING, NATURAL



TE Part #2232957-1  
250 POSITIVE REC EX MK-2



TE Part #1-2271927-6  
AMPMODU PIN HDR 2.00PITCH 2R  
SMT H=3.20



TE Part #2821230-1  
CABLE ASSY, MBXL, CBL-0177-03



TE Part #1744492-3  
EP II Housing 03P, Red



TE Part #10200934-00  
PRESS XDCR M5234-000002-012BG



TE Part #20007253-00  
M7139-012BG-90620

## Documents

### Product Drawings

250 PL EX REC. 18-14AWG PTBR

English

### CAD Files

3D PDF

3D

Customer View Model

[ENG\\_CVM\\_CVM\\_2232958-1\\_A.2d\\_dxf.zip](#)

English

Customer View Model

[ENG\\_CVM\\_CVM\\_2232958-1\\_A.3d\\_igs.zip](#)

English

Customer View Model

[ENG\\_CVM\\_CVM\\_2232958-1\\_A.3d\\_stp.zip](#)

English

By downloading the CAD file I accept and agree to the [Terms and Conditions](#) of use.

### Product Specifications



Application Specification

English

---

Product Environmental Compliance

Product Compliance

English

Product Compliance

English