



Connectors > RF Coax Connectors > Coax Contacts



Connector System: **Cable-to-Cable**

Sealable: **No**

Connector & Contact Terminates To: **Wire & Cable**

PCB Mount Orientation: **Vertical**

Contact Type: **Pin**

## Features

### Product Type Features

Connector Type	Coaxial Contacts
Product Type	Contact
Connector System	Cable-to-Cable
Sealable	No
Connector & Contact Terminates To	Wire & Cable
Compatible With RF Cable Type	RD 316, RG 161, RG 174, RG 174DB, RG 179, RG 179A, RG 179B, RG 187, RG 187A, RG 187DB, RG 188, RG 188A, RG 316

### Configuration Features

PCB Mount Orientation	Vertical
-----------------------	----------

### Electrical Characteristics

Impedance Options	Non-Matched
-------------------	-------------

### Body Features

Outer Shell Material	Brass
Body Angle	Straight

### Contact Features

--	--

Contact Mating Area Plating Thickness	30 µin
RF Connector Center Contact Material	Beryllium Copper
Contact Type	Pin
RF Connector Center Contact Plating Material	Gold
Contact Mating Retention	Without

### Mechanical Attachment

Connector Mounting Type	Cable Mount (Free-Hanging)
-------------------------	----------------------------

### Operation/Application

Circuit Application	Power & Signal
---------------------	----------------

### Packaging Features

Packaging Method	Carton
------------------	--------

### Other

Comment	A ferrule is required for each pin and socket., Extraction Tool No. 305183
Dielectric Material	TPX

## Product Compliance

[For compliance documentation, visit the product page on TE.com>](#)

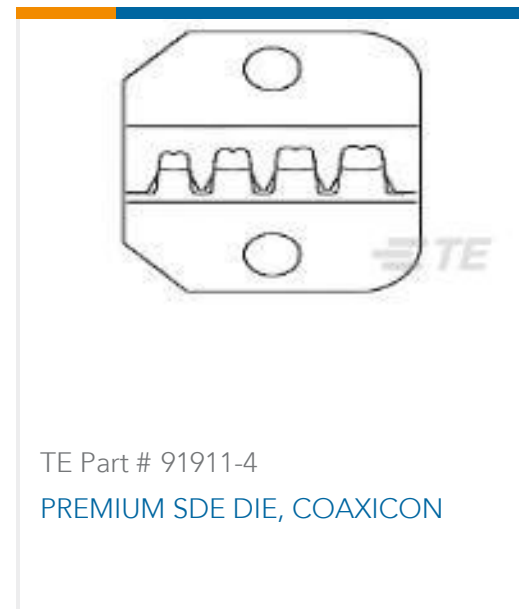
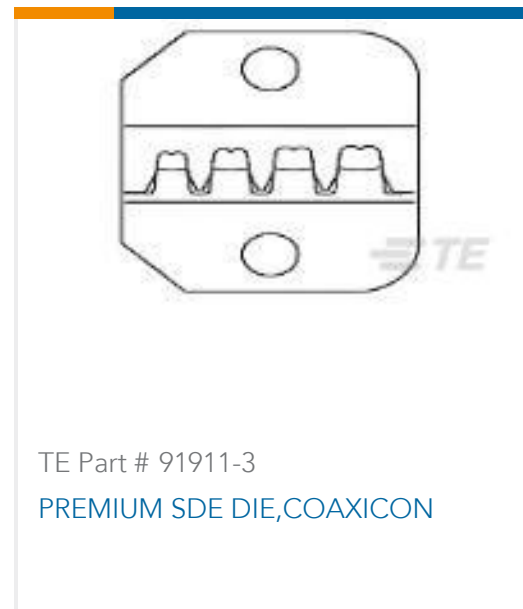
EU RoHS Directive 2011/65/EU	Compliant
EU ELV Directive 2000/53/EC	Compliant
China RoHS 2 Directive MIIT Order No 32, 2016	No Restricted Materials Above Threshold
EU REACH Regulation (EC) No. 1907/2006	Current ECHA Candidate List: JUNE 2022 (224) Candidate List Declared Against: JUL 2021 (219) SVHC > Threshold: Not Yet Reviewed
Halogen Content	Low Halogen - Br, Cl, F, I < 900 ppm per homogenous material. Also BFR/CFR/PVC Free
Solder Process Capability	Not applicable for solder process capability

#### Product Compliance Disclaimer

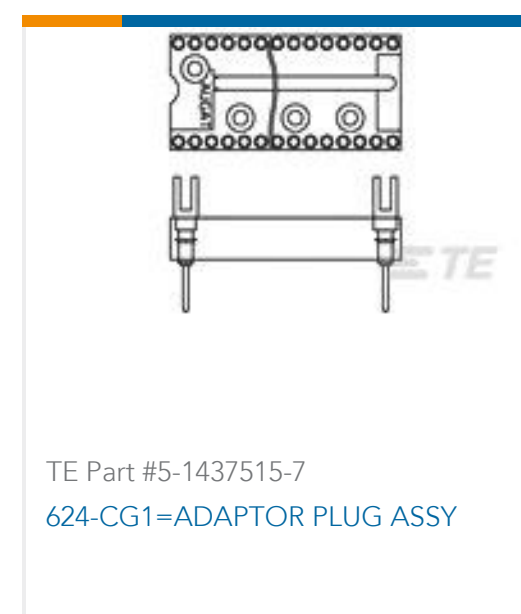
This information is provided based on reasonable inquiry of our suppliers and represents our current actual knowledge based on the information they provided. This information is subject to change. The part numbers that TE has identified as EU RoHS compliant have a maximum concentration of 0.1% by weight in homogenous materials for lead, hexavalent chromium, mercury, PBB, PBDE, DBP, BBP, DEHP, DIBP, and 0.01% for cadmium, or qualify for an exemption to these limits as defined in the Annexes of Directive 2011/65/EU (RoHS2). Finished electrical and electronic equipment products

will be CE marked as required by Directive 2011/65/EU. Components may not be CE marked. Additionally, the part numbers that TE has identified as EU ELV compliant have a maximum concentration of 0.1% by weight in homogenous materials for lead, hexavalent chromium, and mercury, and 0.01% for cadmium, or qualify for an exemption to these limits as defined in the Annexes of Directive 2000/53/EC (ELV). Regarding the REACH Regulation, the information TE provides on SVHC in articles for this part number is based on the latest European Chemicals Agency (ECHA) 'Guidance on requirements for substances in articles' posted at this URL: <https://echa.europa.eu/guidance-documents/guidance-on-reach>

## Compatible Parts



## Customers Also Bought



## Documents

### Product Drawings

#### SUB MIN PIN MULTIMATE

English

### CAD Files

#### 3D PDF

English

### Customer View Model

[ENG\\_CVM\\_226537-1\\_N.2d\\_dxf.zip](#)



English

Customer View Model

[ENG\\_CVM\\_226537-1\\_N.3d\\_igs.zip](#)

English

Customer View Model

[ENG\\_CVM\\_226537-1\\_N.3d\\_stp.zip](#)

English

By downloading the CAD file I accept and agree to the [Terms and Conditions](#) of use.

---

### Datasheets & Catalog Pages

[AMP Circular Connectors for Commercial Signal & Power Applications](#)

English

[COAXICON Contacts](#)

English

[Coaxial Contacts](#)

English

[M\\_SERIES\\_PIN\\_AND\\_SOCKET\\_CONNECTORS](#)

English

---

### Product Environmental Compliance

[Product Compliance](#)

English

[Product Compliance](#)

English

---

### Instruction Sheets

[Instruction Sheet \(U.S.\)](#)

Japanese

[Instruction Sheet \(U.S.\)](#)

English

---

### Agency Approvals

[Agency Approval Document](#)

English