



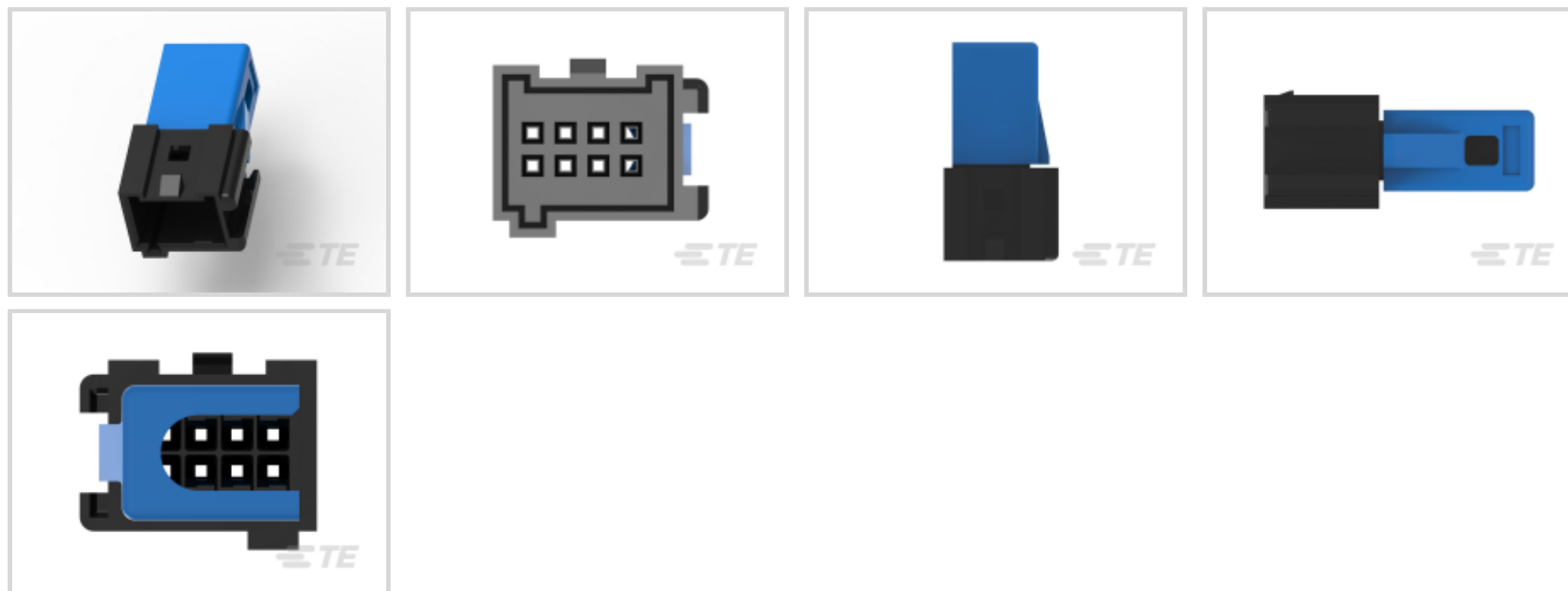
MQS

TE Internal #: 284869-3

Housing for Male Terminals, Wire-to-Wire, 8 Position, .1 in [2.54 mm] Centerline, Black, Signal, Cable Mount (Free-Hanging), MQS

[View on TE.com >](#)

Connectors > Automotive Connectors > Connector Housings > MQS, CONNECTOR HOUSING



Connector & Housing Type: **Housing for Male Terminals**

Mating Tab Width: **.63 mm [.025 in]**

Connector System: **Wire-to-Wire**

Number of Positions: **8**

Centerline (Pitch): **2.54 mm [.1 in]**

[All MQS, CONNECTOR HOUSING \(557\)](#)

Features

Product Type Features

Connector & Housing Shape	Rectangular
Connector & Housing Type	Housing for Male Terminals
Connector System	Wire-to-Wire
Sealable	No
Hybrid Connector	No
Primary Locking Feature	On the Terminal

Configuration Features

Number of Positions	8
Number of Rows	2

Electrical Characteristics

Operating Voltage	24 VDC
Nominal Voltage Architecture	12 V, 24 V

Body Features



Cable Exit Angle	180°
Body Material	PBT GF
Primary Product Color	Black

Contact Features

Contact Size	.63mm
Contact Type	Tab
Mating Tab Width	.63 mm[.025 in]

Mechanical Attachment

Mounting Feature	Without
Terminal Position Assurance	Yes
Strain Relief	Without
Mating Alignment Type	Polarized
Mating Alignment	With
Connector Mounting Type	Cable Mount (Free-Hanging)

Housing Features

Centerline (Pitch)	2.54 mm[.1 in]
--------------------	----------------

Dimensions

Product Width	13.7 mm[.539 in]
Product Length	16.7 mm[.657 in]
Product Height	28.5 mm[1.122 in]
Row-to-Row Spacing	3 mm[.118 in]

Usage Conditions

Operating Temperature (Max)	70 °C, 75 °C, 80 °C, 85 °C[158 °F][167 °F] [176 °F][185 °F]
Operating Temperature Range	-25 – 85 °C[-13 – 185 °F]

Operation/Application

Circuit Application	Signal
---------------------	--------

Other

Serviceable	Yes
Connector Position Assurance Capable	No

Product Compliance

[For compliance documentation, visit the product page on TE.com>](#)



EU RoHS Directive 2011/65/EU	Compliant
EU ELV Directive 2000/53/EC	Compliant
China RoHS 2 Directive MIIT Order No 32, 2016	No Restricted Materials Above Threshold
EU REACH Regulation (EC) No. 1907/2006	Current ECHA Candidate List: JUNE 2022 (224) Candidate List Declared Against: JAN 2022 (223) SVHC > Threshold: Not Yet Reviewed
Halogen Content	Low Halogen - Br, Cl, F, I < 900 ppm per homogenous material. Also BFR/CFR/PVC Free
Solder Process Capability	Not applicable for solder process capability

Product Compliance Disclaimer

This information is provided based on reasonable inquiry of our suppliers and represents our current actual knowledge based on the information they provided. This information is subject to change. The part numbers that TE has identified as EU RoHS compliant have a maximum concentration of 0.1% by weight in homogenous materials for lead, hexavalent chromium, mercury, PBB, PBDE, DBP, BBP, DEHP, DIBP, and 0.01% for cadmium, or qualify for an exemption to these limits as defined in the Annexes of Directive 2011/65/EU (RoHS2). Finished electrical and electronic equipment products will be CE marked as required by Directive 2011/65/EU. Components may not be CE marked. Additionally, the part numbers that TE has identified as EU ELV compliant have a maximum concentration of 0.1% by weight in homogenous materials for lead, hexavalent chromium, and mercury, and 0.01% for cadmium, or qualify for an exemption to these limits as defined in the Annexes of Directive 2000/53/EC (ELV). Regarding the REACH Regulation, the information TE provides on SVHC in articles for this part number is based on the latest European Chemicals Agency (ECHA) 'Guidance on requirements for substances in articles' posted at this URL: <https://echa.europa.eu/guidance-documents/guidance-on-reach>

Compatible Parts



TE Part # CAT-M8793-CH8172
MQS, CONNECTOR HOUSING



TE Part # 5-963716-1
MQS0,63 Sn tab LL unseal. 0,5-0,75



TE Part # 2109036-2
CLIP HSG FOR MQS 8P CONNECTOR

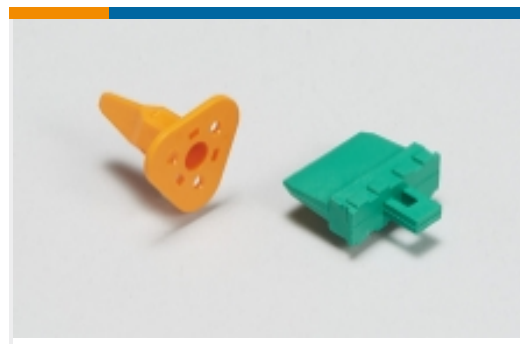
Also in the Series | MQS



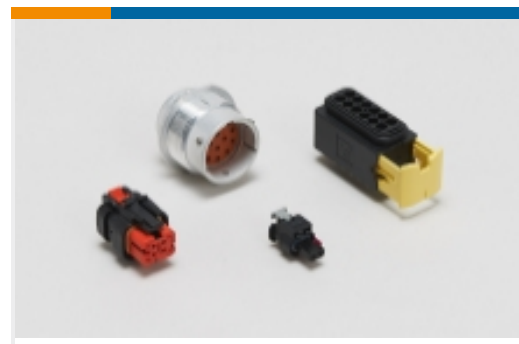
Automotive Connector Caps & Covers (132)



Automotive Connector EMC Shielding (2)



Automotive Connector Locks & Position Assurance(29)



Automotive Housings(489)



Automotive Seals & Cavity Plugs(26)



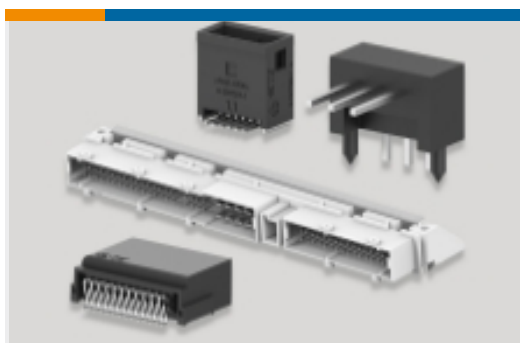
Automotive Terminals(96)



Insertion & Extraction Tools(42)

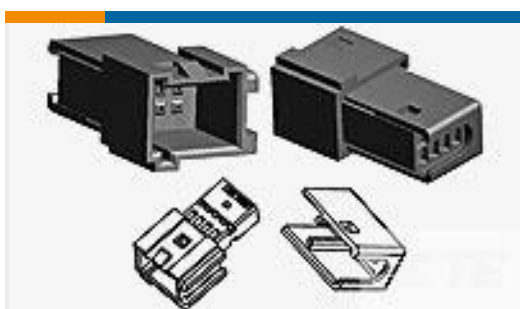


Other Automotive Connector Accessories(13)



PCB Headers & Receptacles(207)

Customers Also Bought



TE Part #284869-1
8POS MQS TAB



TE Part #1718758-1
MCON, RECEPTACLE AND TAB



TE Part #2822344-1
MINI MLC CAP HSG ASSY 7P



TE Part #917309-1
MINI MLC CONN. TAB CONT.



TE Part #2-964292-1
TAB A 2.8x0.8 CONTACT CF SRC Sn



TE Part #6-928918-1
MQS, RECEPTACLE AND TAB



TE Part #1379662-1
12W PLUG HSG ASSY BLACK

Documents



Product Drawings

8POS MQS TAB

English

CAD Files

Customer View Model

[ENG_CVM_CVM_284869-3_A.2d_dxf.zip](#)

English

3D PDF

3D

Customer View Model

[ENG_CVM_CVM_284869-3_A.3d_igs.zip](#)

English

Customer View Model

[ENG_CVM_CVM_284869-3_A.3d_stp.zip](#)

English

By downloading the CAD file I accept and agree to the [Terms and Conditions](#) of use.

Datasheets & Catalog Pages

Micro Quadlok Interconnection System (MQS)

English

Product Specifications

8 POSITIONS MICRO QUADLOK SYSTEM

English

Product Specification

English