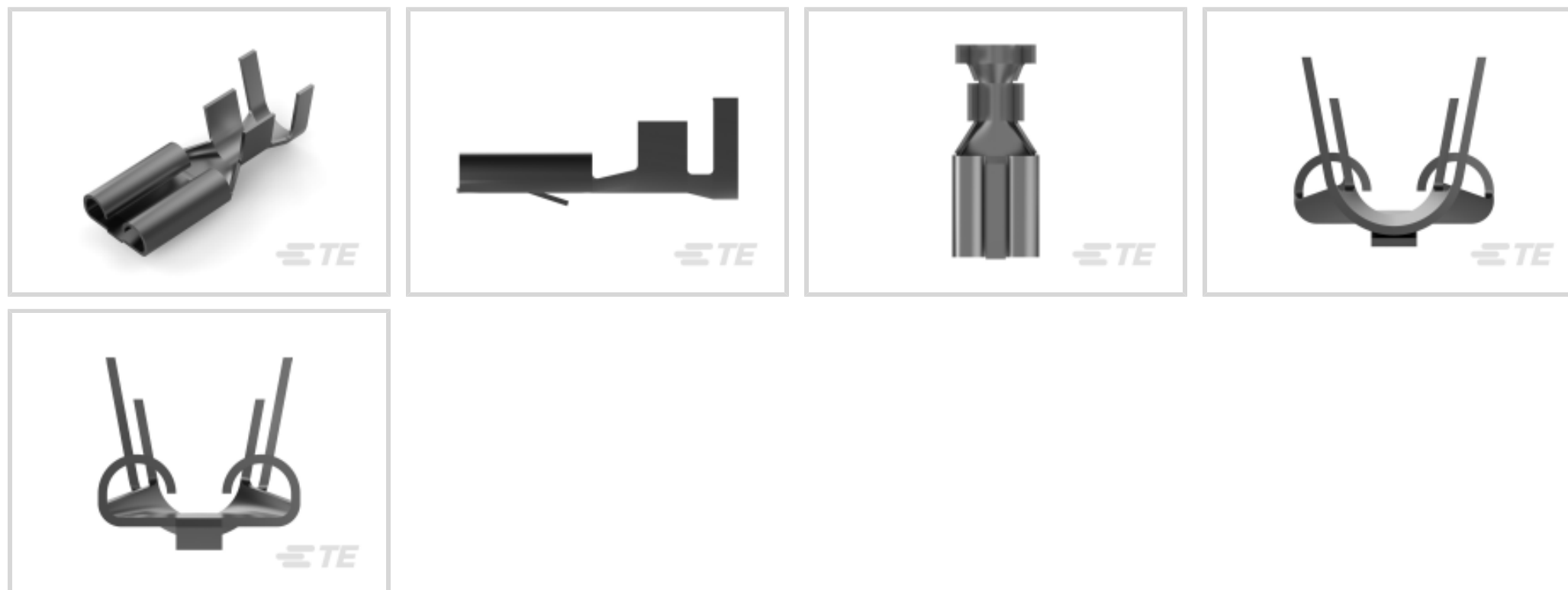




Terminals & Splices > Quick Disconnects



Quick Disconnect Terminal Type: **Receptacle**

Wire Size: **6 – 10 mm²**

Mating Tab Width: **9.53 mm [.375 in]**

Mating Tab Thickness: **1.22 mm [.048 in]**

Features

Product Type Features

Terminates To	Wire & Cable
Wire/Cable Type	Regular Wire
Wire Stop	No
Insertion Force	Normal
Sealable	No

Configuration Features

Connection Capacity	Single
---------------------	--------

Electrical Characteristics

Voltage (Max)	250 V
---------------	-------

Contact Features

Quick Disconnect Terminal Type	Receptacle
Mating Tab Width	9.53 mm[.375 in]
Mating Tab Thickness	1.22 mm[.048 in]
Terminal Orientation	Straight



Contact Base Material	Phosphor Bronze
Terminal Plating Material	Tin
Crimp Type	F-Crimp
Barrel Type	Open

Mechanical Attachment

Mating Retention Type	Locking Lance
Locking Lance Height	1.25 mm
Wire Insulation Support	With

Dimensions

Accepts Wire Insulation Diameter Range	5 – 7 mm [.197 – .276 in]
Receptacle Terminal Stock Thickness	.51 mm [.02 in]
Overall Length	29 mm [1.14 in]
Wire Size	6 – 10 mm ²

Usage Conditions

Insulation Option	Uninsulated
Operating Temperature Range	-40 – 110 °C [-40 – 230 °F]

Industry Standards

UL Flammability Rating	UL 94V-2
------------------------	----------

Packaging Features

Packaging Quantity	1000
Packaging Method	Strip/Reel

Other

Comment	According to DIN 46340, Part 4
---------	--------------------------------

Product Compliance

[For compliance documentation, visit the product page on TE.com>](#)

EU RoHS Directive 2011/65/EU	Compliant
EU ELV Directive 2000/53/EC	Compliant
China RoHS 2 Directive MIIT Order No 32, 2016	No Restricted Materials Above Threshold
EU REACH Regulation (EC) No. 1907/2006	Current ECHA Candidate List: JUNE 2022 (224) Candidate List Declared Against: JAN 2022 (223)



SVHC > Threshold:
 Not Yet Reviewed

Halogen Content	Low Halogen - Br, Cl, F, I < 900 ppm per homogenous material. Also BFR/CFR/PVC Free
Solder Process Capability	Not applicable for solder process capability

Product Compliance Disclaimer

This information is provided based on reasonable inquiry of our suppliers and represents our current actual knowledge based on the information they provided. This information is subject to change. The part numbers that TE has identified as EU RoHS compliant have a maximum concentration of 0.1% by weight in homogenous materials for lead, hexavalent chromium, mercury, PBB, PBDE, DBP, BBP, DEHP, DIBP, and 0.01% for cadmium, or qualify for an exemption to these limits as defined in the Annexes of Directive 2011/65/EU (RoHS2). Finished electrical and electronic equipment products will be CE marked as required by Directive 2011/65/EU. Components may not be CE marked. Additionally, the part numbers that TE has identified as EU ELV compliant have a maximum concentration of 0.1% by weight in homogenous materials for lead, hexavalent chromium, and mercury, and 0.01% for cadmium, or qualify for an exemption to these limits as defined in the Annexes of Directive 2000/53/EC (ELV). Regarding the REACH Regulation, the information TE provides on SVHC in articles for this part number is based on the latest European Chemicals Agency (ECHA) 'Guidance on requirements for substances in articles' posted at this URL: <https://echa.europa.eu/guidance-documents/guidance-on-reach>

Compatible Parts



TE Part # 151667-2
 FF 375 REC 4-6MM2 TPBR



TE Part # 280074-2
 FF 375 TAB 6-10MM2 PTBR



TE Part # 151667-4
 FF 375 REC TERMINAL 11-10 AWG PBR



TE Part # 170268-2
 FF 375 REC 6-10MM2 TPBR



TE Part # 2-2150321-2
 OCEAN_2.0_Applicator-E-180F300F



TE Part # 2150321-2
 OCEAN_2.0_Applicator-E-180F300F



TE Part # 7-2150321-2
 OCEAN_2.0_Applicator-E-180F300F



TE Part # 7-2150321-7
 OCEAN_2.0_SPARE_PART_KIT-180F300F



TE Part # 880003-4
 FF 375 REC 2.5-4.0 MM2 .508X25.65 TPPHBZ

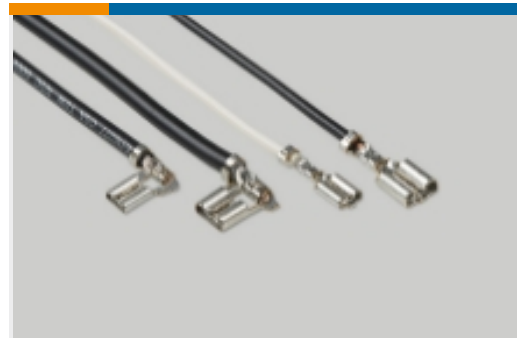
Also in the Series | FASTIN-FASTON 375



Crimp Terminal Housings(9)



Insertion & Extraction Tools(1)



Quick Disconnects(20)

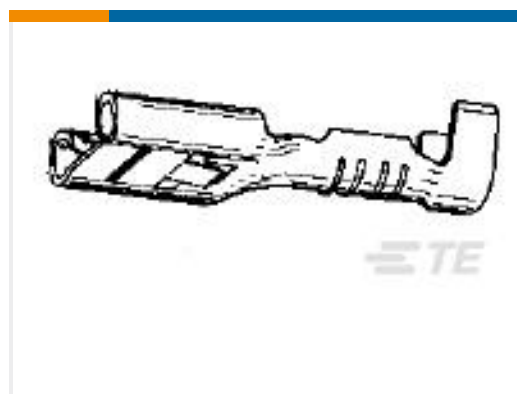
Customers Also Bought



TE Part #T4111501041-000
M12, MALE, STRAIGHT, D CODE, 4P,
PG7, GOLD



TE Part #280223-2
FASTON 375 ASY REC 4-6MM2 0.5X27.
0 TPBR



TE Part #280755-2
FF 375 REC 6-10MM2 TPBR



TE Part #1-1393304-1
V23134J1053D642-EV-CBOX



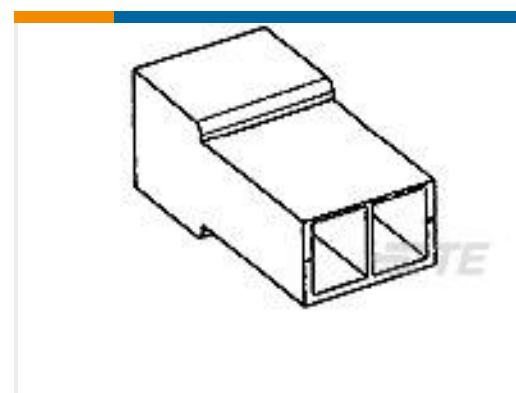
TE Part #42281-1
FF 250 REC 18-14AWG BR



TE Part #160914-4
FF 250 REC 4-6MM2 TPPB



TE Part #3-180916-0
FF 250 TAB HSG 1P NYLON NAT



TE Part #280542
FF 250 TAB HSG 2P NYLON NAT

Documents

Product Drawings

[FF 375 REC 6-10MM2 TPPB](#)

English

CAD Files

[3D PDF](#)

3D

Customer View Model

[ENG_CVM_CVM_280755-4_L.2d_dxf.zip](#)

English

Customer View Model

[ENG_CVM_CVM_280755-4_L.3d_igs.zip](#)

English

Customer View Model

[ENG_CVM_CVM_280755-4_L.3d_stp.zip](#)



English

By downloading the CAD file I accept and agree to the [Terms and Conditions](#) of use.

Datasheets & Catalog Pages

[1654742_HOUSEHOLD_APPLIANCES_RAST5](#)

English

Product Specifications

[FASTIN-FASTON CONN. .110 INCH, .187 INCH, .250 INCH, .375 INCH SRS.](#)

English

[Product Specification](#)

English

Product Environmental Compliance

[Product Compliance](#)

English

[Product Compliance](#)

English