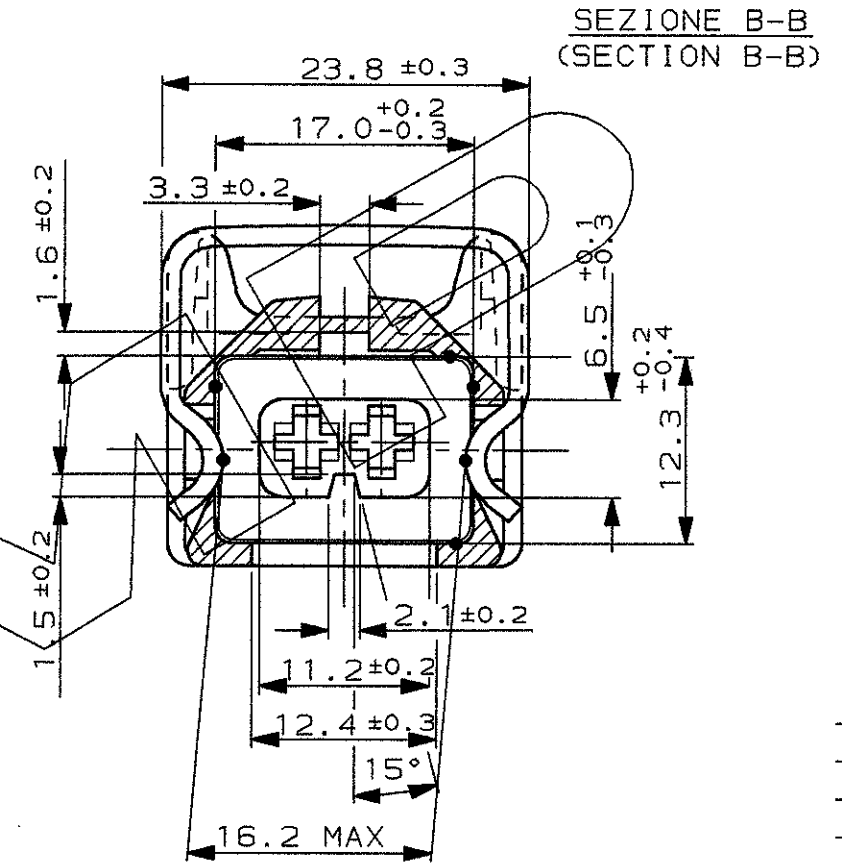
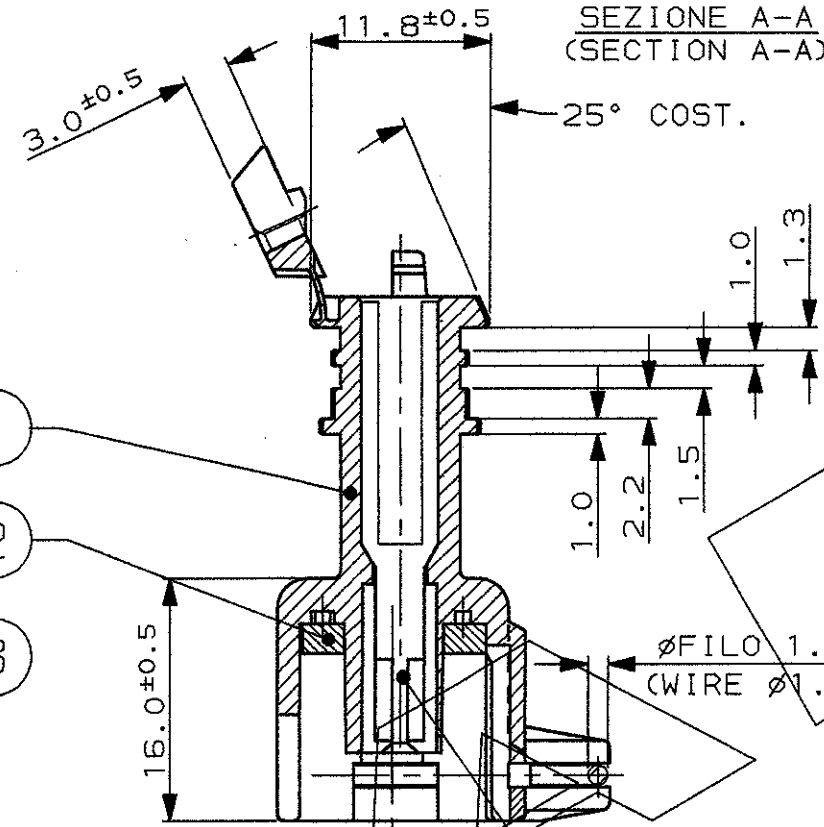
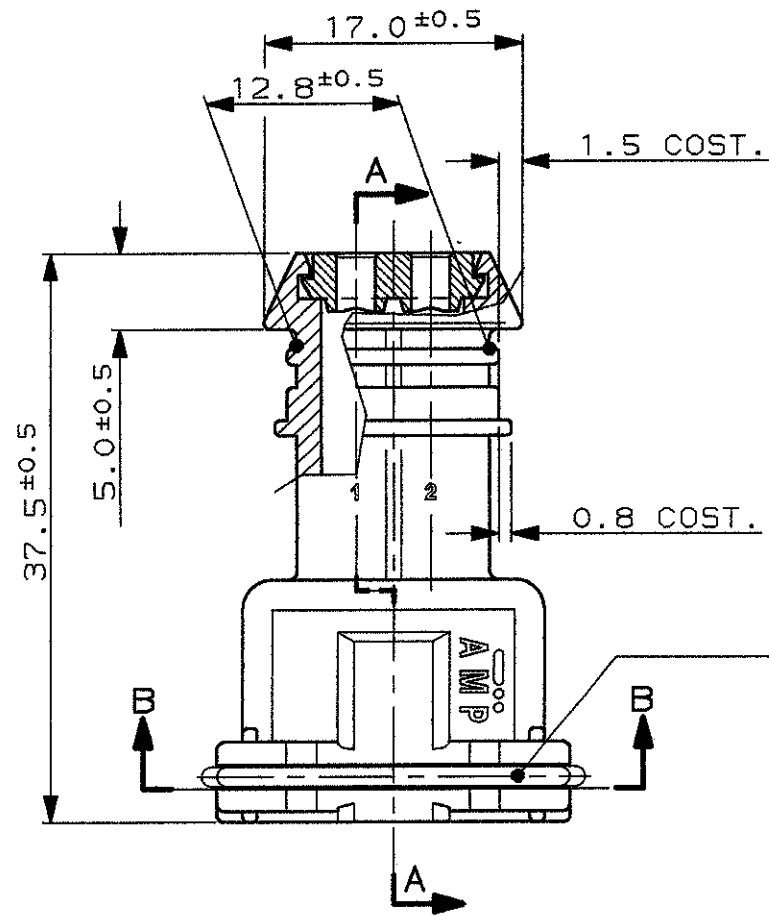


CONNETTORE TIPO A (CON MOLLA DI RITEGNO ESTERNA)
CONNECTOR TYPE A (WITH EXTERNAL SPRING)

SCALA NON IMPEGNATIVA
(DO NOT SCALE)
DIMENSIONI IN
(DIMENSIONS IN) mm

METRIC

PROIEZIONE EUROPEA
(EUROPEAN PROJECTION)

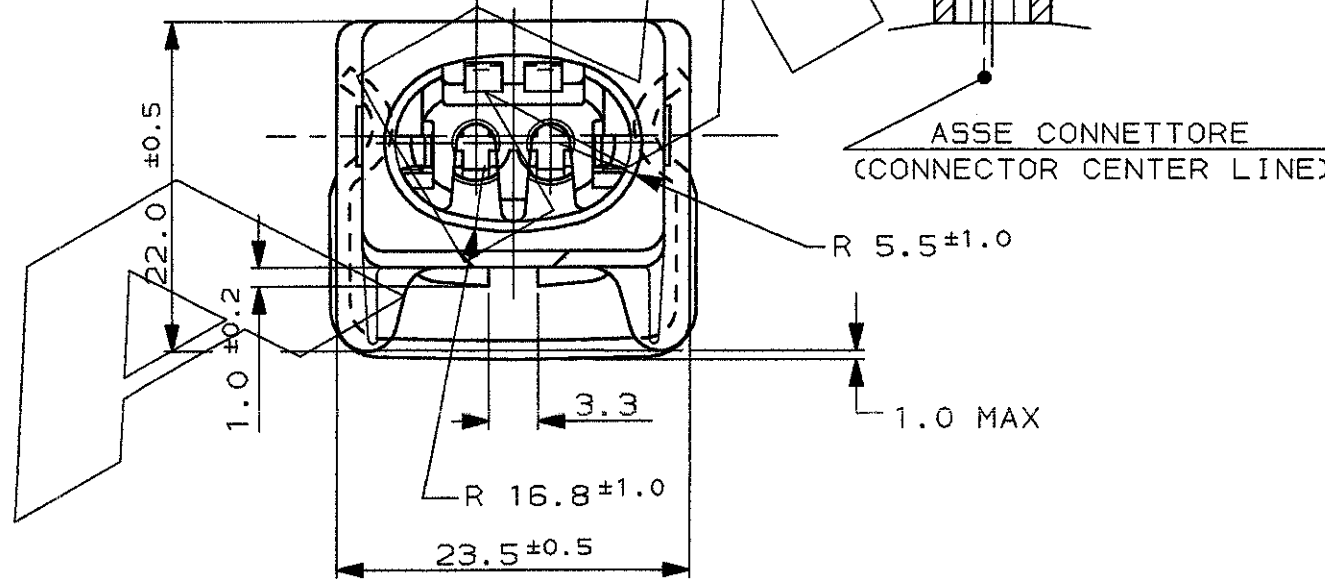


TIP. CAVITA' PER TERMINALI AMP JPT P/N 929939-...
OPPURE 929937-... E RELATIVI GOMMINI
AMP P/N 828904-1, 828905-1, 282536-1.
TAPPO CAVITA' P/N 828906-2

(TYP. CAV. FOR JPT CONT. P/N 929939-... A/O 929937-... AND REL.
SINGLE WIRE SEAL P/N 828904-1, 828905-1, 282536-1
CAVITY PLUG P/N 828906-2)

ASSE CAVITA'
(CAVITY CENTER LINE)

PASSO 5.0±0.15
(PITCH 5.0±0.15)



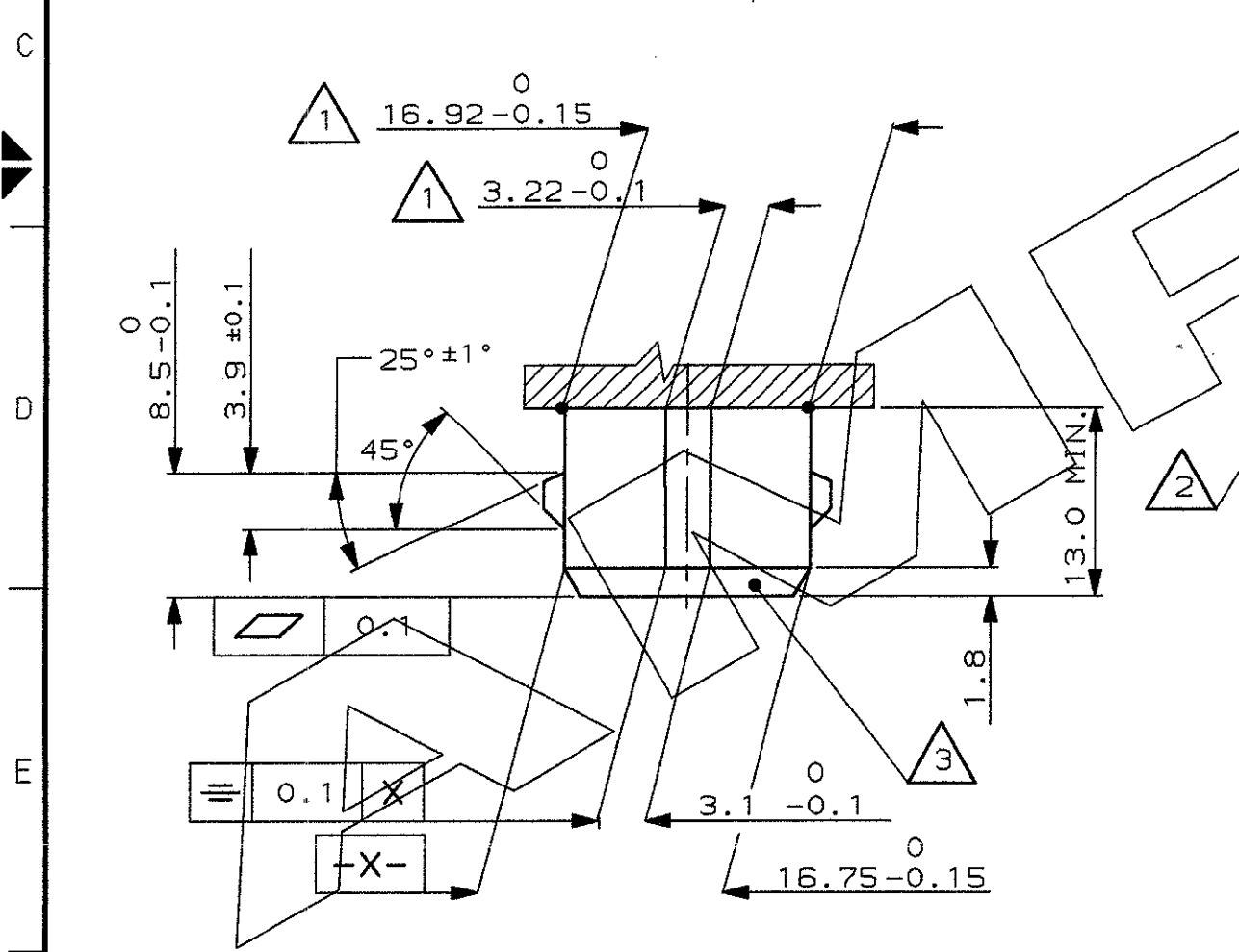
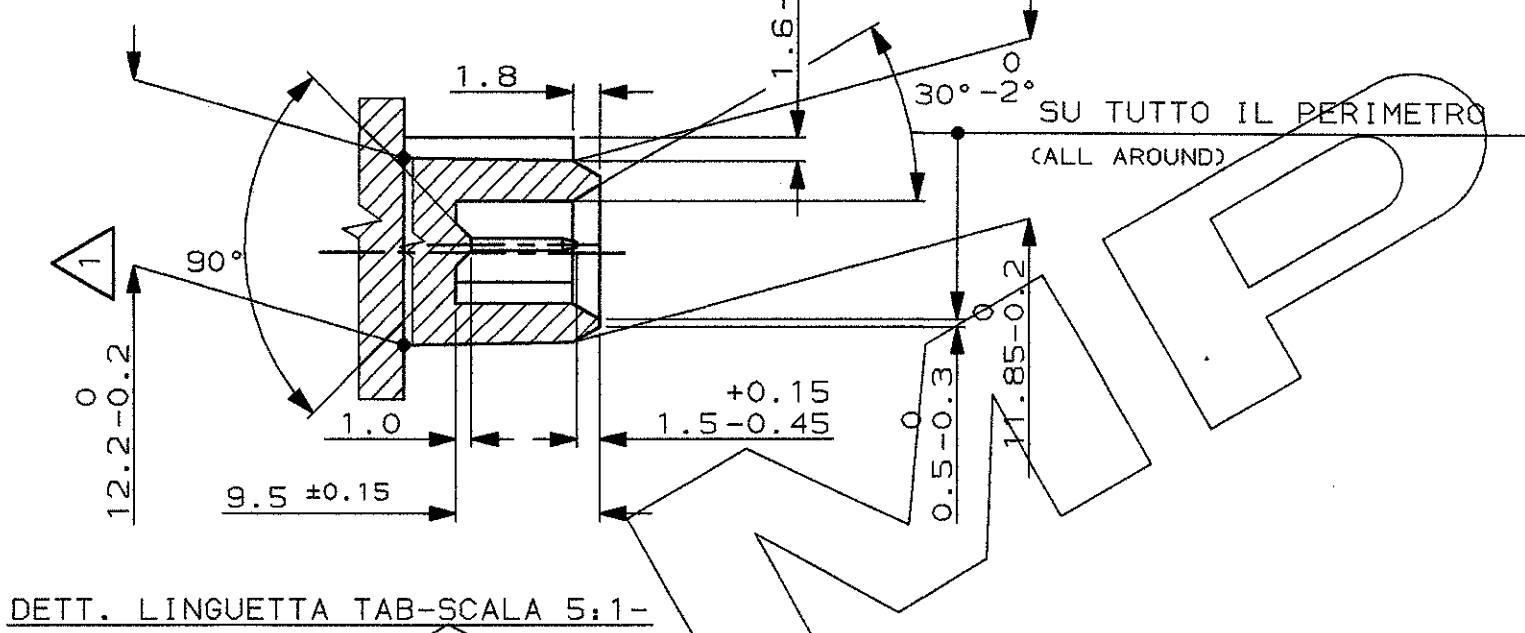
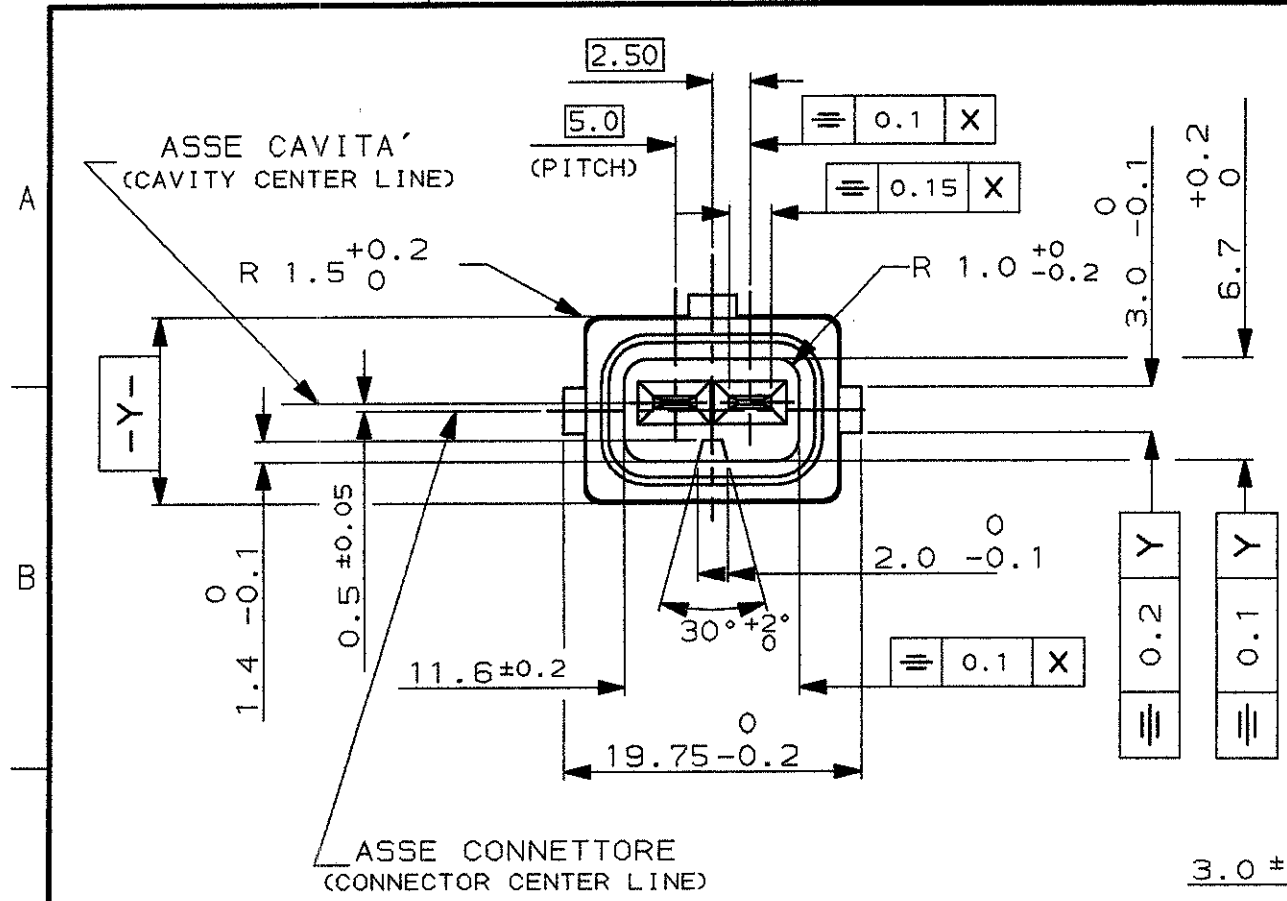
ASSE CONNETTORE
(CONNECTOR CENTER LINE)

ROSSO (RED)	282189-8				
GIALLO (YELLOW)	282189-7				
MARRONE (BROWN)	282189-6	3	//////	ACCIAIO INOX (STAINLESS STEEL)	MOLLA (SPRING)
BLU (BLUE)	282189-5				
VERDE (GREEN)	282189-4	2	NATURALE (CLEAR)	GOMMA (RUBBER)	GUARNIZIONE (RUBBER GASKET)
NATURALE (CLEAR)	282189-3				
GRIGIO (GREY)	282189-2	1	//////	PA 6.6 C.VETRO (PA 6.6 G.F.)	BLOCCHETTO (HOUSING)
NERO (BLACK)	282189-1				
COLORE COLOR	NUMERO PART. N°	N° (ITEM)	FINITURA / COLORE (FINISH / COLOUR)	MATERIALE (MATERIAL)	DESCRIZIONE (DESCRIPTION)

CUSTOMER DWG.
FOR REFERENCE ONLY

DISEGNO PER CLIENTE
SOLO PER RIFERIMENTO

L1	REVISED FOR ET00-0080-98	M.P.	12-5 '92	THIS DRAWING IS UNPUBLISHED		RELEASE FOR PUBLICATION	19
L	AGGIOR. CON ET00-0221-96 REVISED FOR ET00-0221-96	A.F.	27-5 '96	© COPYRIGHT 19 BY AMP INCORPORATED, HARRISBURG, PA. ALL INTERNATIONAL RIGHT RESERVED. AMP PRODUCTS MAY BE COVERED BY U.S. AND FOREIGN PATENT AND/OR PATENT PENDING			
G	AGGIOR. CON ET00-0108-95 REVISED FOR ET00-0108-95	M.P.	11-5 '95	TOLLERANZE, SE NON DIVERSAMENTE SPECIFICATO (TOLERANCES, UNLESS OTHERWISE SPECIFIED)	DIAM. ISOLANTE (INS. DIA. RANGE) 1.5-3.0 (REDUCED INS. CABLE)	RANGO FILO (WIRE RANGE) 0.5-2.5 mm ²	SCALA (SCALE) ***
E	IN PRODUZIONE (IN PRODUCTION)	R.M.	13-10 '92	± 0.3	AMP AMP ITALIA S.p.A. Corso F.lli Cervi, 15 COLLEGNO (TORINO)		
D	AGGIORNATO (REVISED)	R.M.	17-3 '92	ANGOLI (ANGLES) ± 2°	DESCRIZIONE (DESCRIPTION) 2 W. SPLASH PROOF CONN. ASS'Y with SECONDARY LOCK		
C	AGGIORNATO (REVISED)	R.M.	28-2 '92	DIS. NOV. 9. '90 (DR.) Ennio CINI	LOC. SIZE NUMERO (DWG NO) I A3 C-282189		
B	AGGIORNATO (REVISED)	R.M.	30-8 '91	CONT. 13 OCT 92 (CHK) C. TARTAGLIA	REV.	FOGLIO (SHEET) 11	
A	WAS P/N C-90-51265-10	C.E.	2.91	APP. (APP.)	REV.		FOGLIO (SHEET) 11
REV.	REVISIONI (REVISION RECORD)	DIS. (DR)	DATA (DATE)	APP. (APP.)	REV.		FOGLIO (SHEET) 11



- 1 QUOTE APPLICABILI PER SFORMATURA PEZZO (DRAFT PERMITTED TO FACILITATE REMOVAL OF PART FROM THE MOULD)
- 2 MATERIALE LINGUETTE: LEGA DI RAME STAGNATA, ES. OTTONE STAGNATO. (TAB CONTACT MATERIAL: TIN PLATED COPPER ALLOY, E.G. BRASS TIN PLATED)
- 3 MATERIALE BLOCCHETTO: TERMOPLASTICO CARICATO FIBRA VETRO. (HOUSING MATERIAL: THERMOPLASTIC, GLASS FIBER FILLED)

FINITURA / COLORE (FINISH / COLOUR)	MATERIALE (MATERIAL)	NUMERO (PART NUMBER)
CUSTOMER DWG. FOR REFERENCE ONLY	DISEGNO PER CLIENTE SOLO PER RIFERIMENTO	
THIS DRAWING IS UNPUBLISHED		RELEASE FOR PUBLICATION 19
© COPYRIGHT 19 BY AMP INCORPORATED, HARRISBURG, PA. ALL INTERNATIONAL RIGHT RESERVED. AMP PRODUCTS MAY BE COVERED BY U.S. AND FOREIGN PATENT AND/OR PATENT PENDING		
TOLLERANZE, SE NON DIVERSAMENTE SPECIFICATO (TOLERANCES, UNLESS OTHERWISE SPECIFIED)	DIAM. ISOLANTE (INS. DIA. RANGE)	RANGO FILO (WIRE RANGE)
± 0.3	---	---
ANGOLI (ANGLES)	SCALA (SCALE)	
± 2°	---	
DIS. (DR.)	DESCRIZIONE (DESCRIPTION)	
CONT. (CHK)	2 POS. SPLASH PROOF CONN. ASS'Y with SECONDARY LOCK	
REV. (REV.)	LOC. (LOC.)	SIZE (SIZE)
REVISIONI (REVISION RECORD)	NUMERO (DWG NO)	REV. (REV.)
DIS. DATA (DR) (DATE)	APP. (APP.)	FOGLIO (SHEET) (DI (OF))
	I A3	C-282189 - 2

DISTRIBUZIONE (PRINT DIST.)

SEE SHEET 1 OF 2

SEE SHEET 1 OF 2