

2270039-2 ✓ ACTIVE

SOLARLOK | SOLARLOK PV4-PM Connector

TE Internal #: 2270039-2

Solar Connectors & Adapters, DC/AC Converter Receptacle, Plug,
Minus, 12 AWG / 10 AWG Wire Size, 4 mm² / 6 mm² Wire Size,
SOLARLOK PV4-PM Connector

[View on TE.com >](#)



Energy & Power > Solar & Photovoltaics > Solar Connectors & Adapters > SOLARLOK PV4-S DC Crimp Connectors



Solar Connector Type: **DC/AC Converter Receptacle**

Solar Connector Style: **Plug**

Solar Connector & Adapter Keying: **Minus**

Wire Size: **4 mm², 6 mm²**

[All SOLARLOK PV4-S DC Crimp Connectors \(50\)](#)

Features

Product Type Features

Product Type	Connector
Solar Connector Type	DC/AC Converter Receptacle
Solar Connector Style	Plug

Configuration Features

Solar Connector & Adapter Keying	Minus
----------------------------------	-------

Housing Features

Housing Color	Black
Housing Material	Polycarbonate (PC)

Dimensions

Wire Size	4 mm ² , 6 mm ²
-----------	---------------------------------------

Packaging Features

Packaging Quantity	1000
--------------------	------



Product Compliance

[For compliance documentation, visit the product page on TE.com>](#)

EU RoHS Directive 2011/65/EU	Compliant
EU ELV Directive 2000/53/EC	Compliant
China RoHS 2 Directive MIIT Order No 32, 2016	No Restricted Materials Above Threshold
EU REACH Regulation (EC) No. 1907/2006	Current ECHA Candidate List: JUNE 2022 (224) Candidate List Declared Against: JAN 2021 (211) SVHC > Threshold: Not Yet Reviewed
Halogen Content	Low Halogen - Br, Cl, F, I < 900 ppm per homogenous material. Also BFR/CFR/PVC Free
Solder Process Capability	Not applicable for solder process capability

Product Compliance Disclaimer

This information is provided based on reasonable inquiry of our suppliers and represents our current actual knowledge based on the information they provided. This information is subject to change. The part numbers that TE has identified as EU RoHS compliant have a maximum concentration of 0.1% by weight in homogenous materials for lead, hexavalent chromium, mercury, PBB, PBDE, DBP, BBP, DEHP, DIBP, and 0.01% for cadmium, or qualify for an exemption to these limits as defined in the Annexes of Directive 2011/65/EU (RoHS2). Finished electrical and electronic equipment products will be CE marked as required by Directive 2011/65/EU. Components may not be CE marked. Additionally, the part numbers that TE has identified as EU ELV compliant have a maximum concentration of 0.1% by weight in homogenous materials for lead, hexavalent chromium, and mercury, and 0.01% for cadmium, or qualify for an exemption to these limits as defined in the Annexes of Directive 2000/53/EC (ELV). Regarding the REACH Regulation, the information TE provides on SVHC in articles for this part number is based on the latest European Chemicals Agency (ECHA) 'Guidance on requirements for substances in articles' posted at this URL: <https://echa.europa.eu/guidance-documents/guidance-on-reach>

Compatible Parts



Also in the Series | [SOLARLOK PV4-PM Connector](#)



Solar Connectors & Adapters(12)

Customers Also Bought



TE Part #1-1747047-2
Glow Wire GRACE INERTIA Plug



TE Part #2270040-2
SOCKET CONNECTOR
PREASSEMBLED, PV4-PM



TE Part #5-1971793-5
NEW GI CONN2.5 PLUG HSG 5P BLK



TE Part #6-917809-3
DYNAMIC D-5 TAB HSG D/R 6P Y-Y



TE Part #1747995-4
GHC EYELET 6.2 3POS PLUG
HOUSING YELLOW



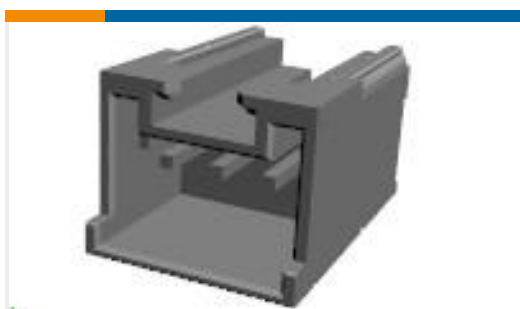
TE Part #2825312-1
CLUSTER BLOCK HSG .090 DIA



TE Part #5-1971798-5
NEW GI CONN2.5 HDR ASMBLY 5P
BLK D1.0



TE Part #6-917807-3
DYNAMIC D-5200M REC HSG 6P Y-Y



TE Part #917723-4
2.5 SIGNAL D/LOCK HDR ASSY 3P

Documents

Product Drawings

PIN CONNECTOR PREASSEMBLED, PV4-PM

English

CAD Files

3D PDF

3D

Customer View Model

ENG_CVM_CVM_2270039-2_B.2d_dxf.zip



English

Customer View Model

[ENG_CVM_CVM_2270039-2_B.3d_igs.zip](#)

English

Customer View Model

[ENG_CVM_CVM_2270039-2_B.3d_stp.zip](#)

English

By downloading the CAD file I accept and agree to the [Terms and Conditions](#) of use.

Datasheets & Catalog Pages

SOLARLOK PV4-PM CONNECTOR 1000V DC

English

[1-1773888-9 SolarCatalog](#)

English

Product Specifications

Application Specification

English

Agency Approvals

TUV Certificate

English

TUV Certificate

English