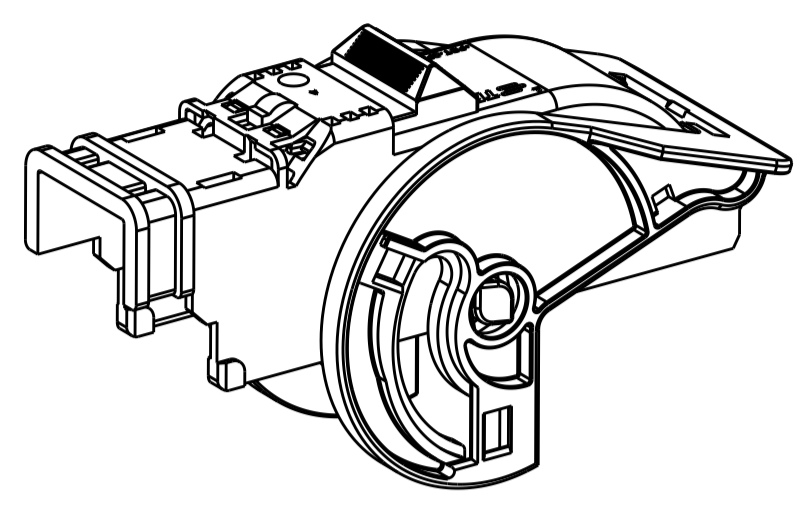
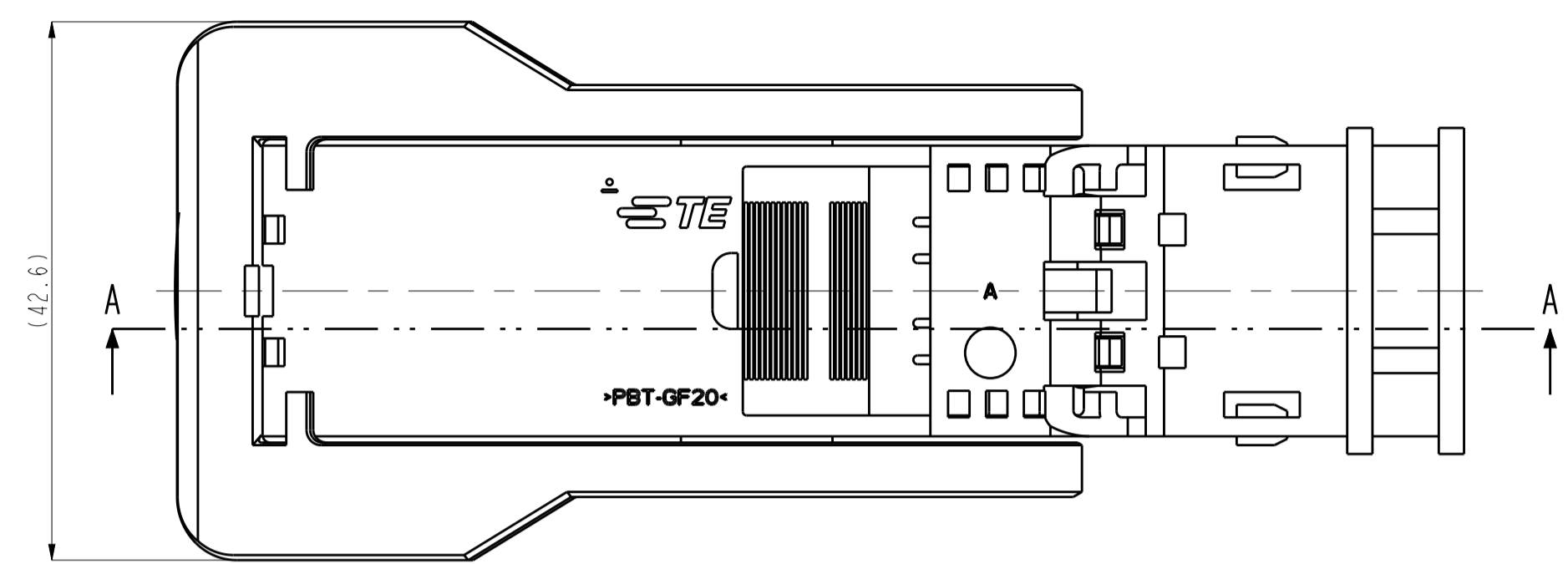
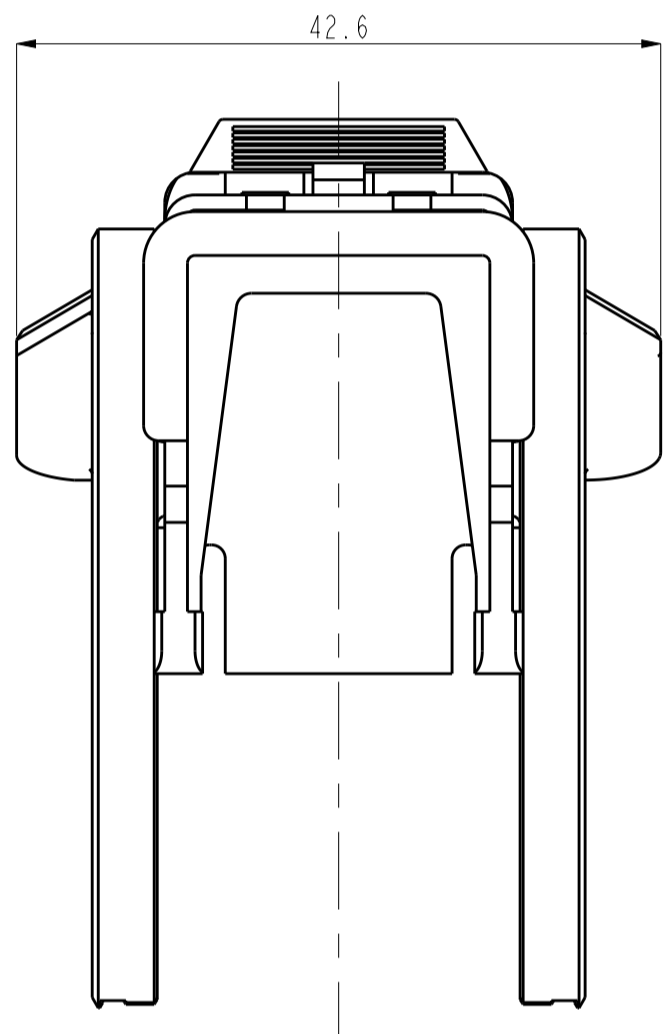
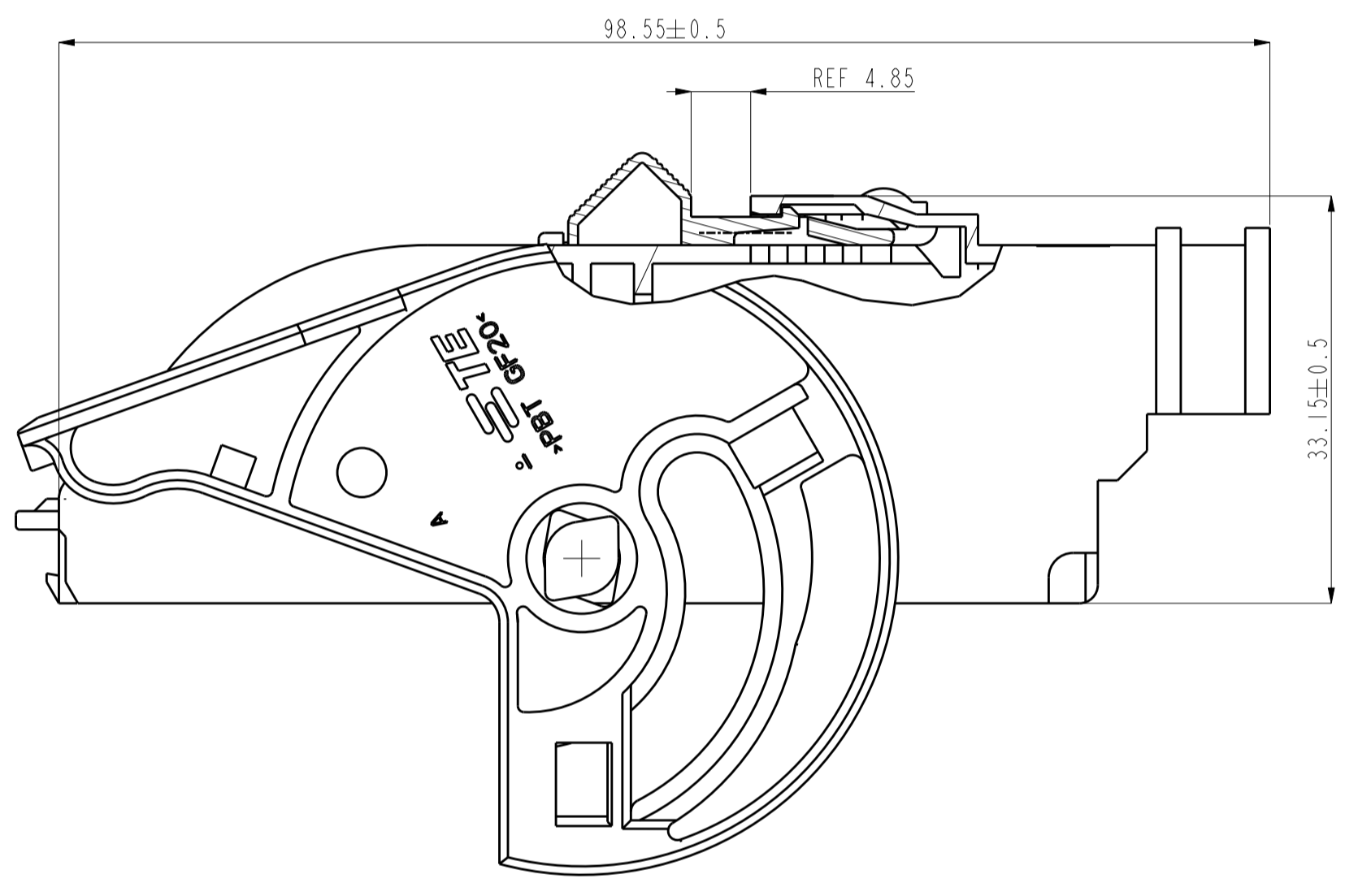
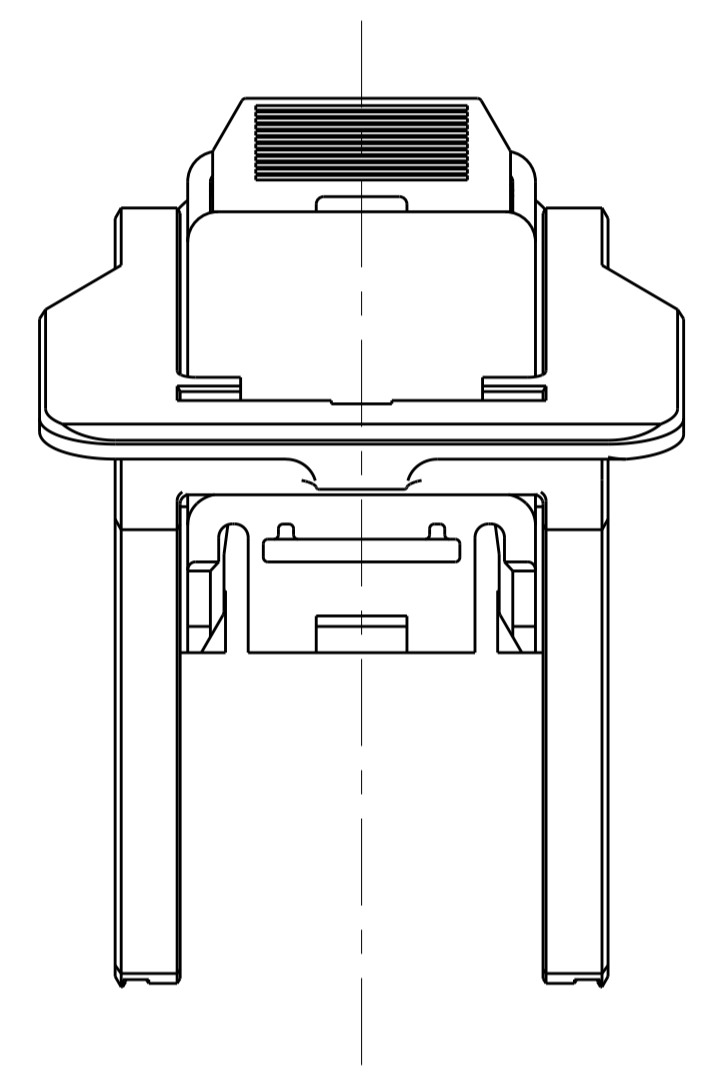


050/110/250 46P COVER ASSY TYPE A 2219072-1
 2219072-2

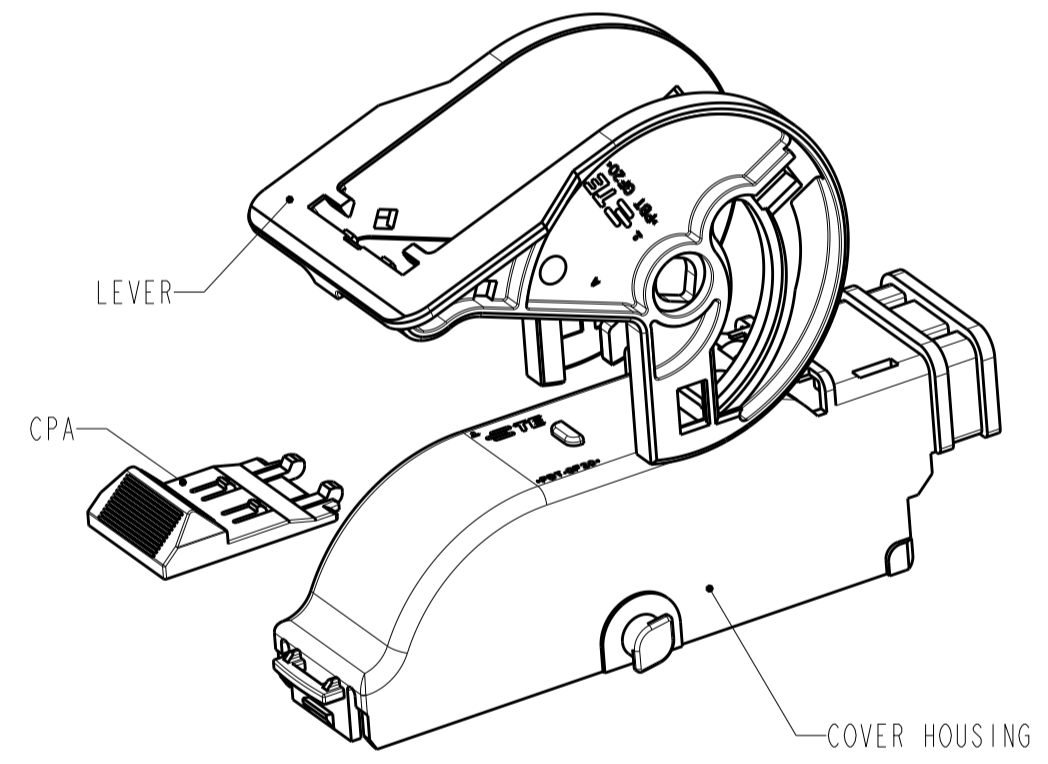
REVISIONS				
P.	LTN.	DESCRIPTION	DATE	APP'D.
B1		REVISED (ECR-16-003970)	16.MAR'16	EW HG
C		REVISED (ECR-16-011812)	24.AUG'16	JS KT
C1		REVISED (ECR-17-004413)	30.MAR'17	JS KT
C2		REVISED (ECR-17-010463)	07.AUG'17	EW YD.



- NOTES
- △ DELIVERY CONDITION: LEVER (2) IN PRELOCKED POSITION
 CPA (3) IN PRELOCKED POSITION
 - △ LEVER MOUNTING POSITION
 - 3. LEVER MUST ROTATE SMOOTHLY UNTIL LOCKING
 - △ LEVER AND CPA END LOCK POSITION
 - 5. GENERAL TOLERANCE : ±0.3, ±3°
 - 6. APPLICABLE PLUG ASS'Y PN: 2209520
 - Ⓢ 7. SEE THE SHEET 2 OF 2 ABOUT OTHERS SERIES.



SECTION A-A
 SCALE 2:1



< EXPLODE VIEW >

LEVER OPERATING POSITION
 APPLY TO ALL KINDS OF 050/110/250 COVER ASSY SERIES (BASED ON 2219072)

ASSY P/N	ASSY DESCRIPTION
8-2219072-2	COVER ASSY TYPE B (BASIC LEVER)
7-2219072-2	COVER ASSY TYPE A (BASIC LEVER)
6-2219072-2	COVER ASSY TYPE B (NON-CPA)
5-2219072-2	COVER ASSY TYPE A (NON-CPA)
4-2219072-2	COVER ASSY TYPE C (NON-RIB LEVER)
3-2219072-2	COVER ASSY TYPE B (NON-RIB LEVER)
2-2219072-2	COVER ASSY TYPE A (NON-RIB LEVER)
1-2219072-2	COVER ASSY TYPE B
1-2219072-1	COVER ASSY TYPE B
0-2219072-2	COVER ASSY TYPE A
0-2219072-1	COVER ASSY TYPE A

QTY	NO	COLOR/FINISH	MATERIAL	DESCRIPTION
1	9	RED	PBT-GF10	CPA
1	8	GRAY	PBT-GF10	CPA
1	7	GRAY	PBT-GF20	NON-RIB LEVER
1	6	GRAY	PBT-GF20	BASIC LEVER
1	5	GRAY	PBT-GF20	LEVER
1	4	BLACK	PBT-GF20	LEVER
1	3	BLACK	PBT-GF20	COVER HSG TYPE C
1	2	BLACK	PBT-GF20	COVER HSG TYPE B
1	1	BLACK	PBT-GF20	COVER HSG TYPE A

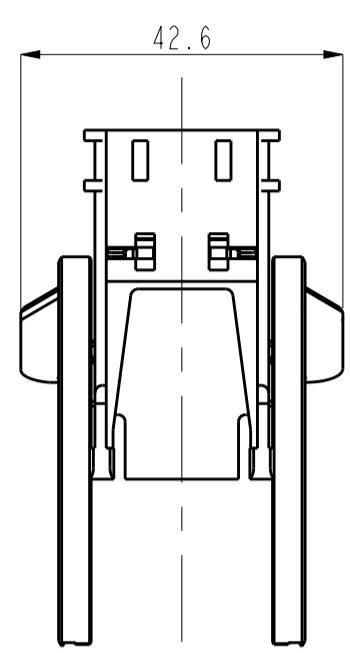
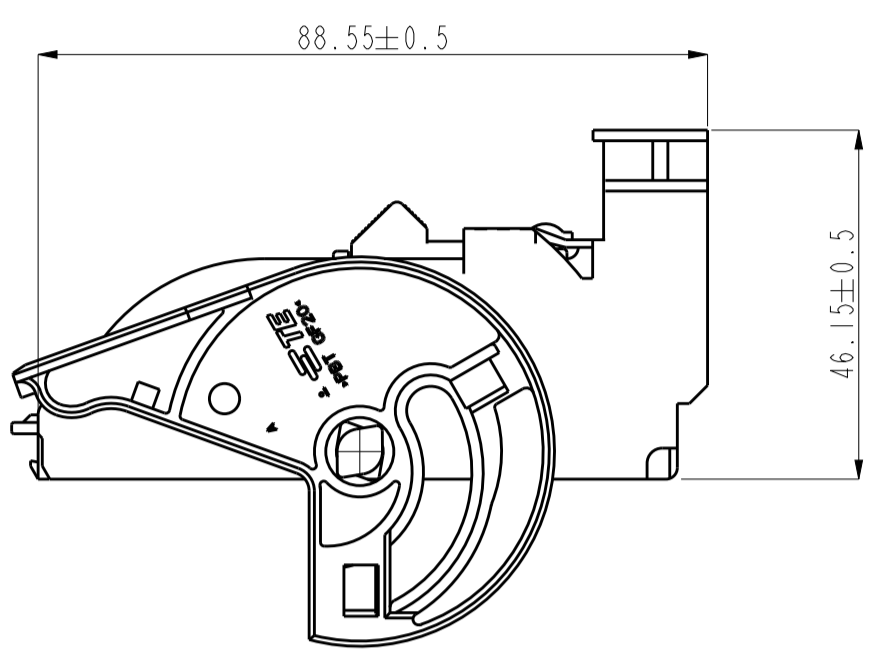
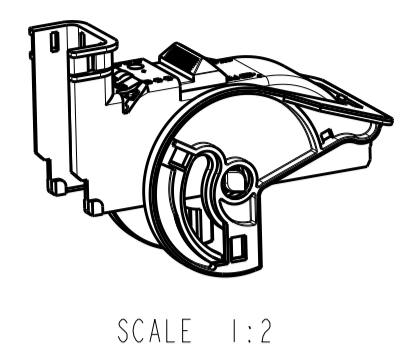
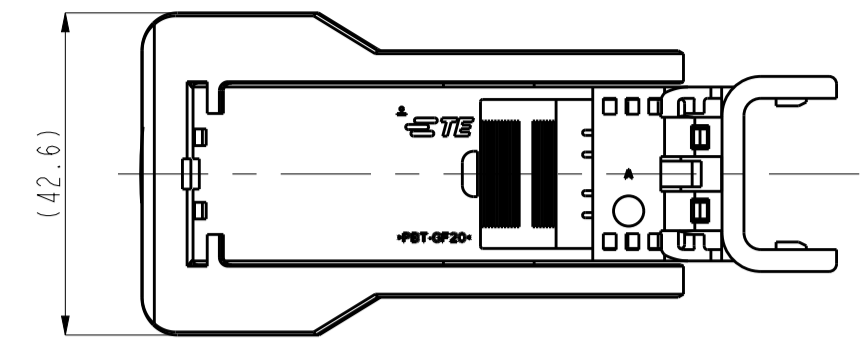
THIS DRAWING IS A CONTROLLED DOCUMENT. DIMENSIONS: mm. TOLERANCES UNLESS OTHERWISE SPECIFIED: 0 PLC ±, 1 PLC ±, 2 PLC ±, 3 PLC ±, 4 PLC ±, 5 PLC ±, 6 PLC ±, 7 PLC ±, 8 PLC ±, 9 PLC ±, 10 PLC ±, 11 PLC ±, 12 PLC ±, 13 PLC ±, 14 PLC ±, 15 PLC ±, 16 PLC ±, 17 PLC ±, 18 PLC ±, 19 PLC ±, 20 PLC ±, 21 PLC ±, 22 PLC ±, 23 PLC ±, 24 PLC ±, 25 PLC ±, 26 PLC ±, 27 PLC ±, 28 PLC ±, 29 PLC ±, 30 PLC ±, 31 PLC ±, 32 PLC ±, 33 PLC ±, 34 PLC ±, 35 PLC ±, 36 PLC ±, 37 PLC ±, 38 PLC ±, 39 PLC ±, 40 PLC ±, 41 PLC ±, 42 PLC ±, 43 PLC ±, 44 PLC ±, 45 PLC ±, 46 PLC ±, 47 PLC ±, 48 PLC ±, 49 PLC ±, 50 PLC ±, 51 PLC ±, 52 PLC ±, 53 PLC ±, 54 PLC ±, 55 PLC ±, 56 PLC ±, 57 PLC ±, 58 PLC ±, 59 PLC ±, 60 PLC ±, 61 PLC ±, 62 PLC ±, 63 PLC ±, 64 PLC ±, 65 PLC ±, 66 PLC ±, 67 PLC ±, 68 PLC ±, 69 PLC ±, 70 PLC ±, 71 PLC ±, 72 PLC ±, 73 PLC ±, 74 PLC ±, 75 PLC ±, 76 PLC ±, 77 PLC ±, 78 PLC ±, 79 PLC ±, 80 PLC ±, 81 PLC ±, 82 PLC ±, 83 PLC ±, 84 PLC ±, 85 PLC ±, 86 PLC ±, 87 PLC ±, 88 PLC ±, 89 PLC ±, 90 PLC ±, 91 PLC ±, 92 PLC ±, 93 PLC ±, 94 PLC ±, 95 PLC ±, 96 PLC ±, 97 PLC ±, 98 PLC ±, 99 PLC ±, 100 PLC ±.

OWN: EW CHUN, CHK: SW NA, APVD: YD LEE, PRODUCT SPEC, APPLICATION SPEC, WEIGHT, RESTRICTED CUSTOMER.

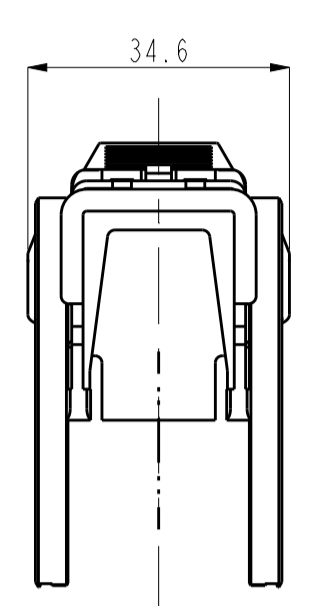
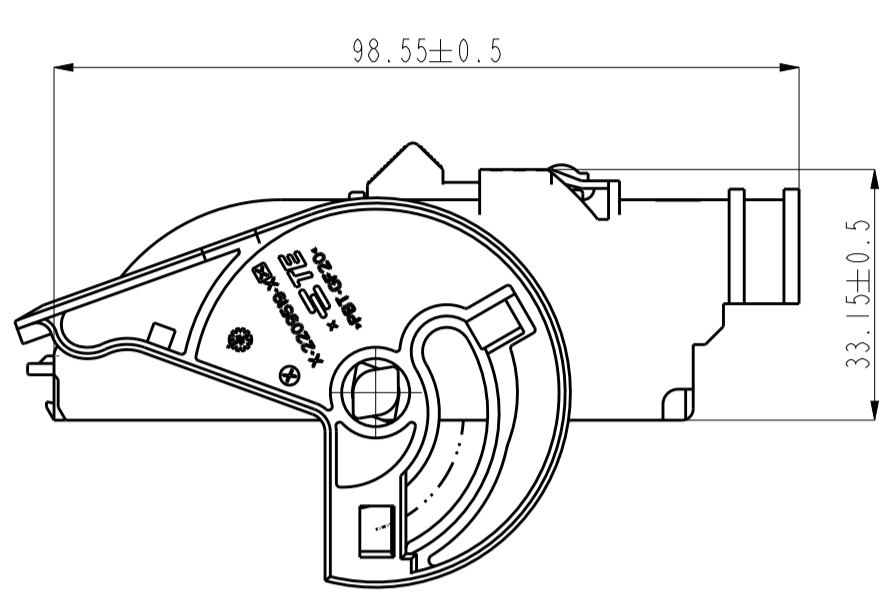
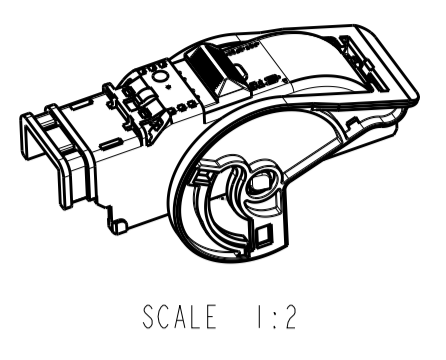
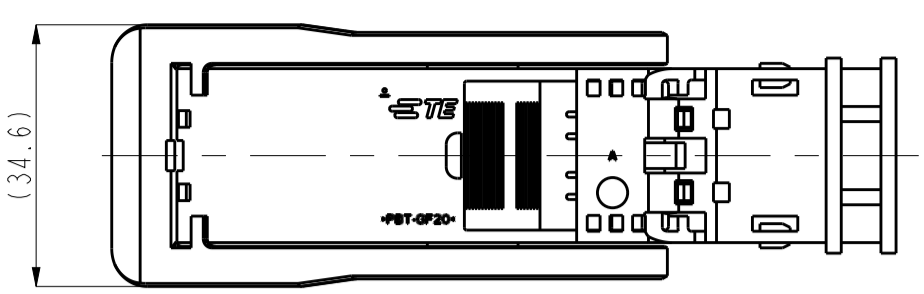
NAME: 050/110/250 HYB 46P COVER ASSY

SIZE: A1, CAGE CODE: 00779, DRAWING NO: 2219072, SHEET 1 OF 2, REV C2

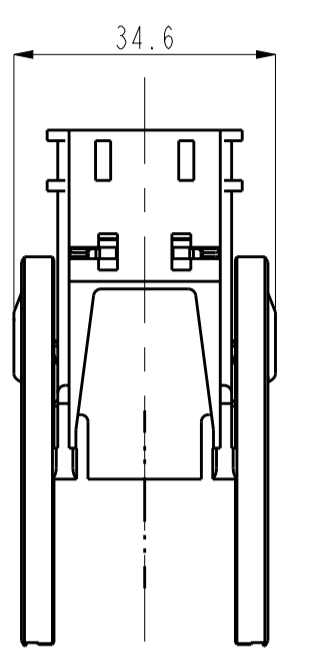
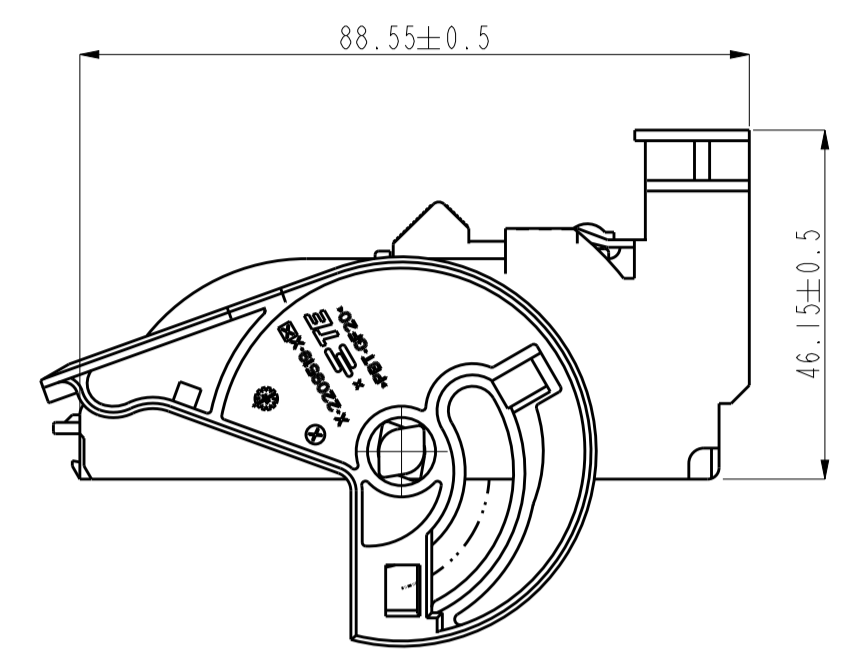
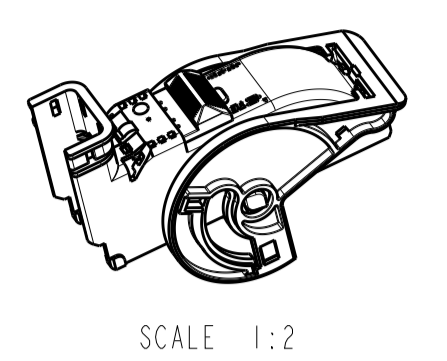
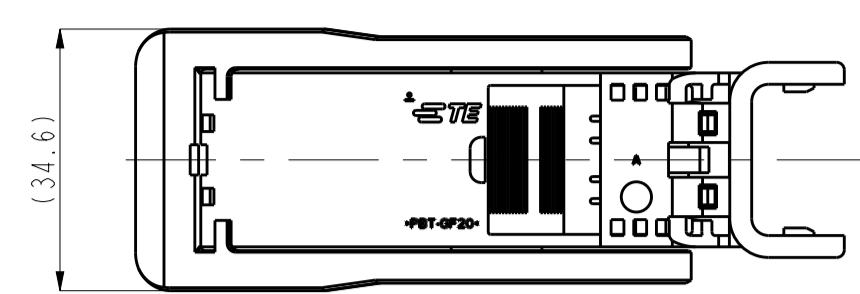
46P COVER ASSY TYPE B
1-2219072-1
1-2219072-2



46P COVER ASSY TYPE A (NON-RIB LEVER)
2-2219072-2

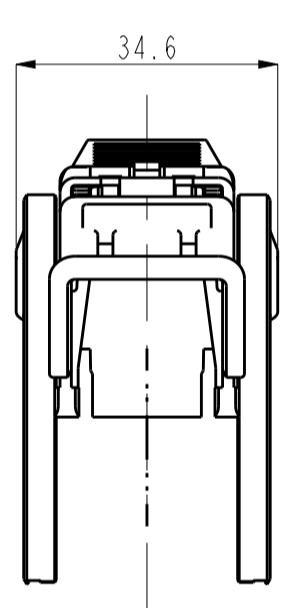
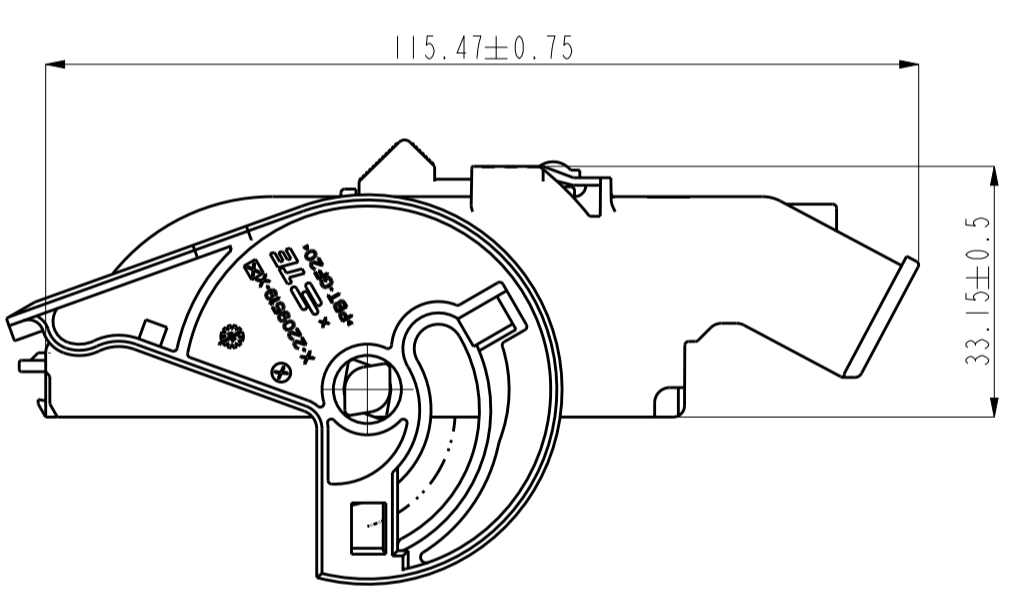
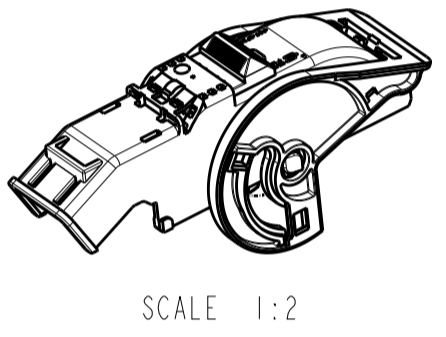
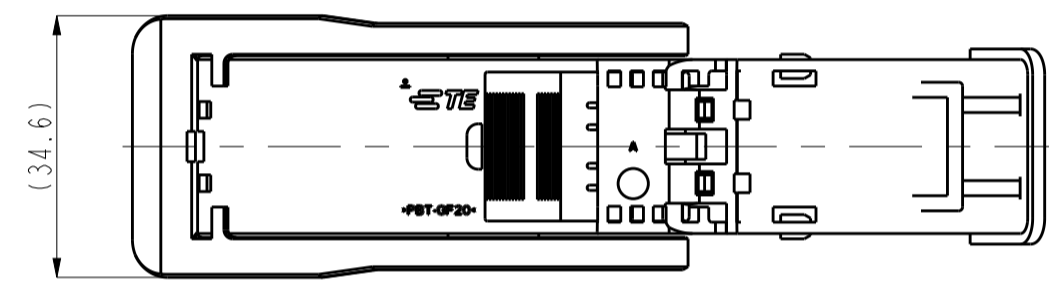


46P COVER ASSY TYPE B (NON-RIB LEVER)
3-2219072-2

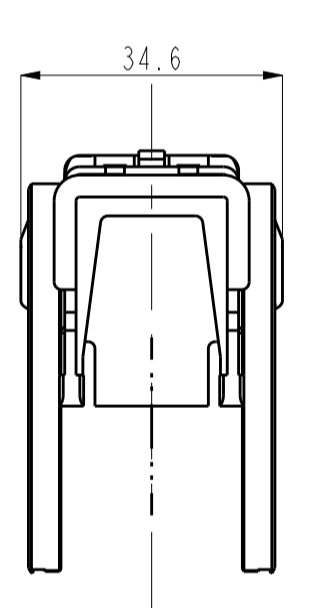
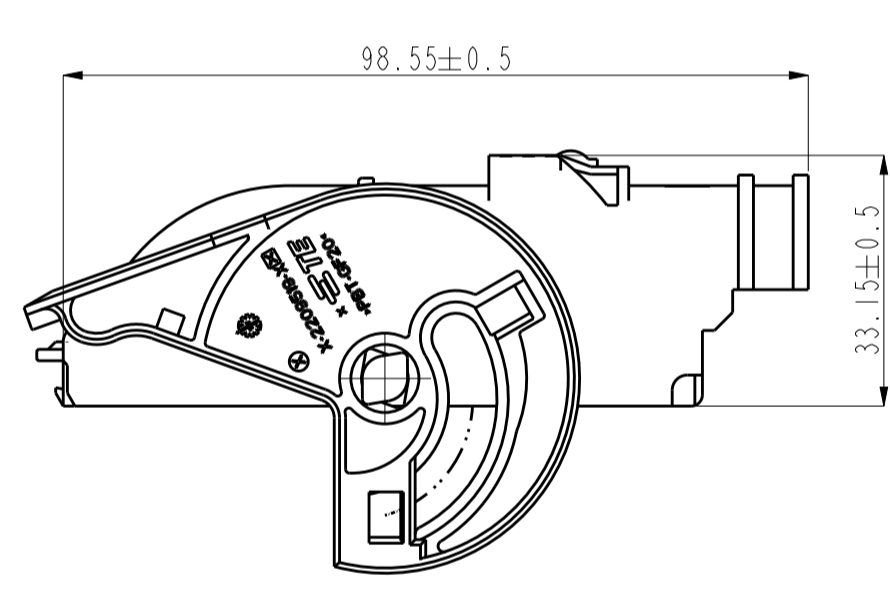
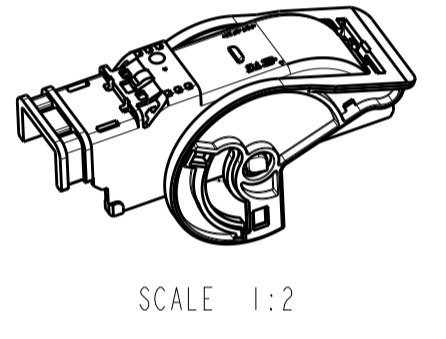
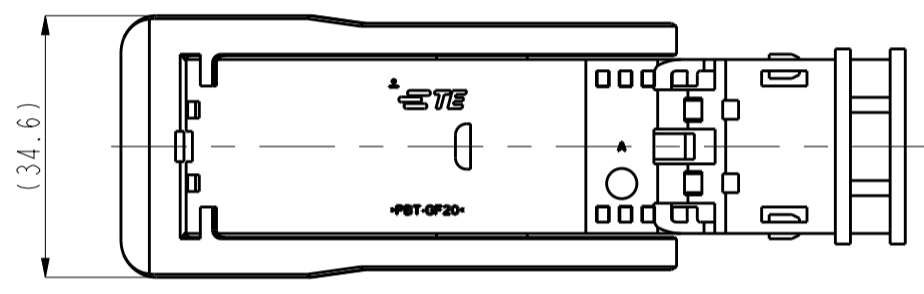


REVISIONS				
P.	LTN.	DESCRIPTION	DATE	APVD.
		SEE SHEET 1		

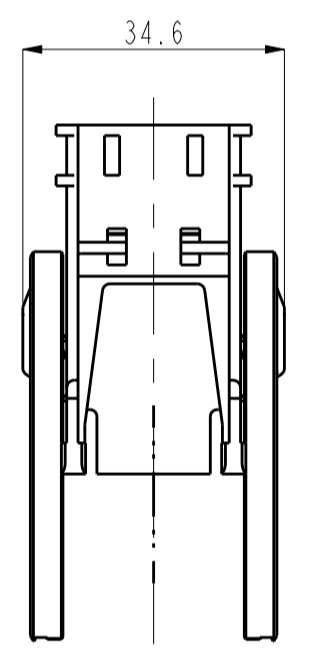
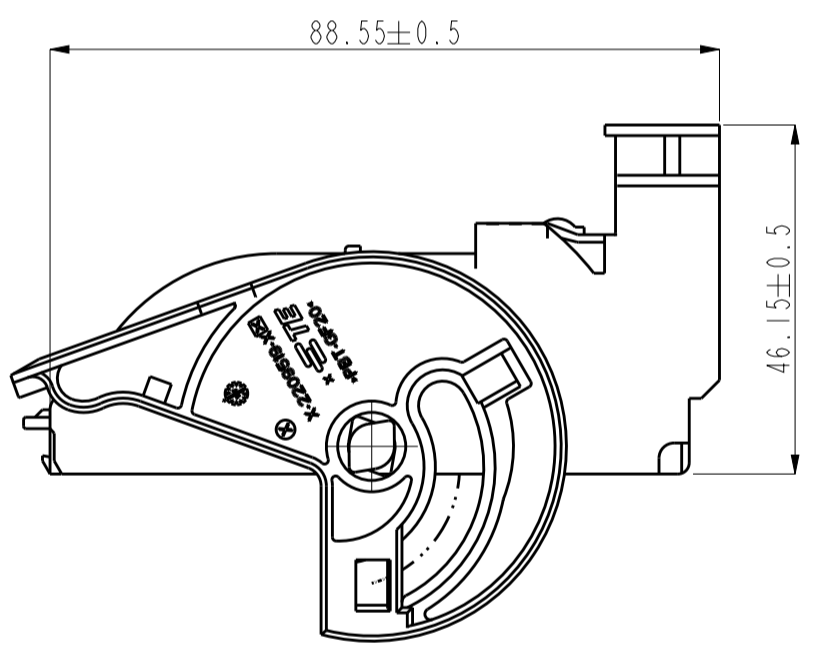
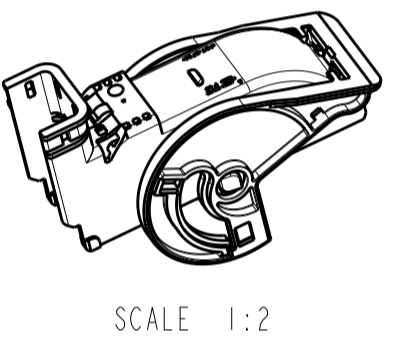
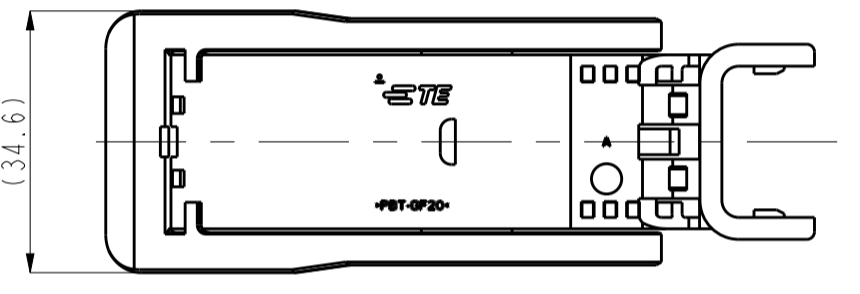
46P COVER ASSY TYPE C (NON-RIB LEVER)
4-2219072-2



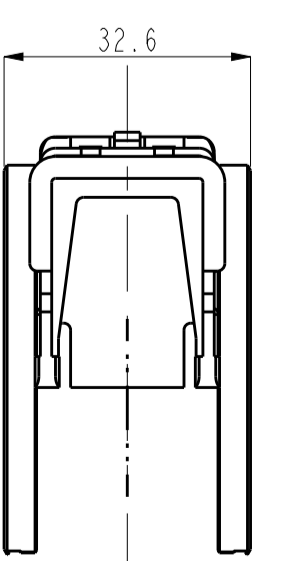
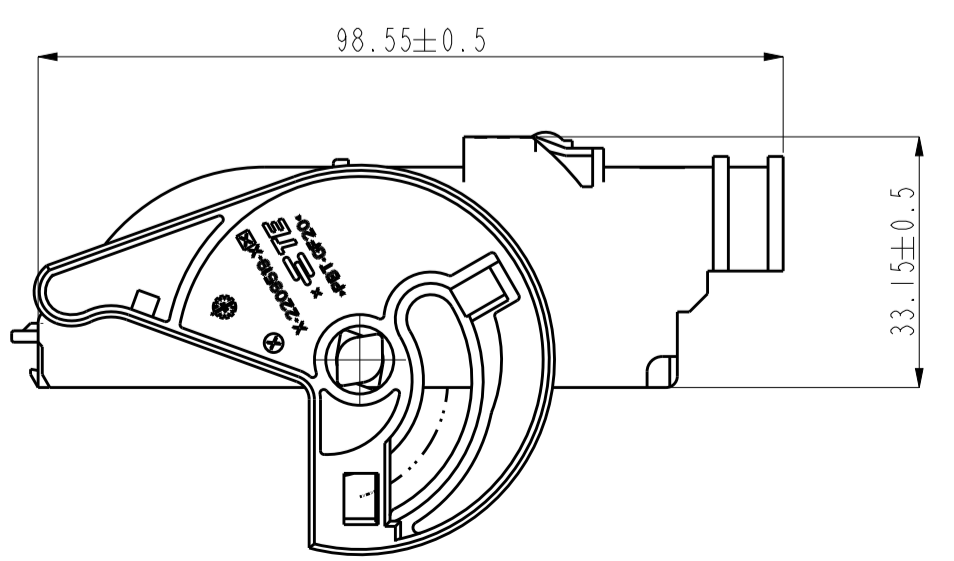
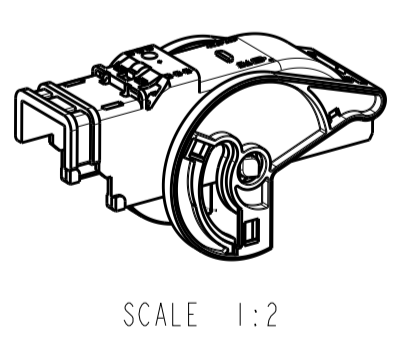
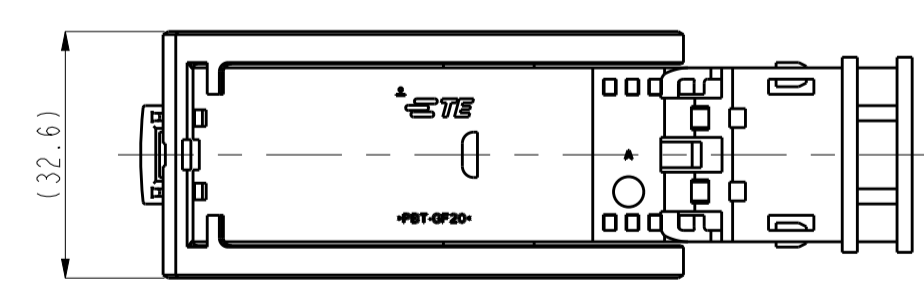
46P COVER ASSY TYPE A (NON-CPA)
5-2219072-2



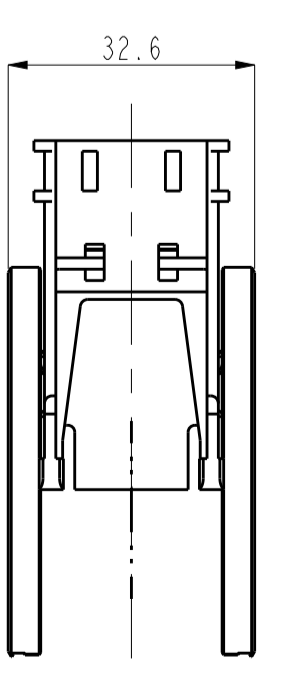
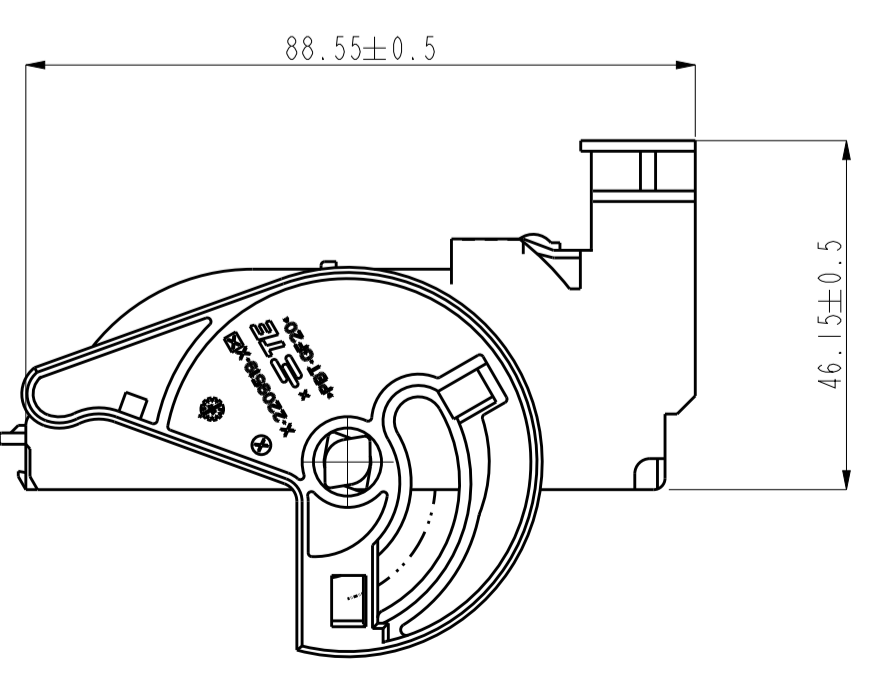
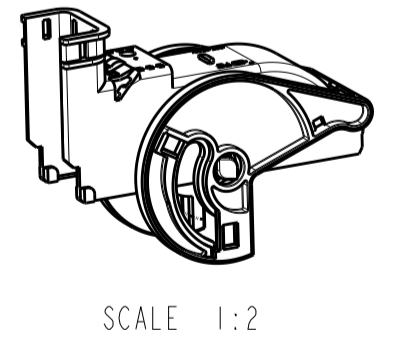
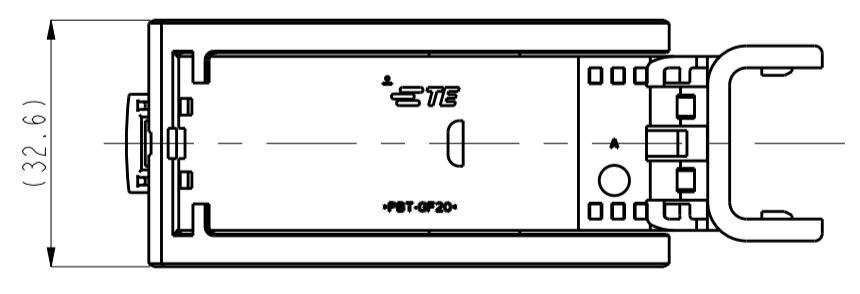
46P COVER ASSY TYPE B (NON-CPA)
6-2219072-2



46P COVER ASSY TYPE A (BASIC LEVER)
7-2219072-2



46P COVER ASSY TYPE B (BASIC LEVER)
8-2219072-2



8. REFER 1 PAGE FOR THE UNSPECIFIED DIMENSION.
- CPA STROKE DISTANCE.

THIS DRAWING IS A CONTROLLED DOCUMENT.		DWN	TE Connectivity NAME 050/110/250 HYB 46P COVER ASSY
DIMENSIONS:		CHK	
mm	TOLERANCES UNLESS OTHERWISE SPECIFIED	APVD	PRODUCT SPEC
0 PLC ± 1 PLC ± 2 PLC ± 3 PLC ± 4 PLC ± DIMES ± FINISH ±			APPLICATION SPEC
MATERIAL	FINISH	WEIGHT	RESTRICTED TO
SEE SHEET 1		A1 00779 C=2219072	RESTRICTED CUSTOMER
		SCALE 1:1	SHEET 2 OF 2 REV C2