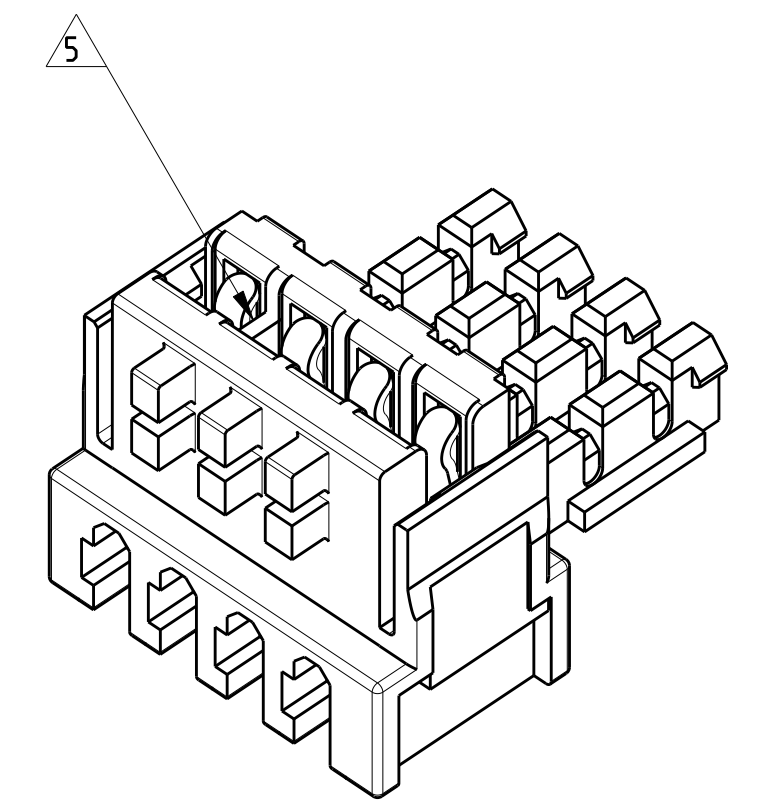
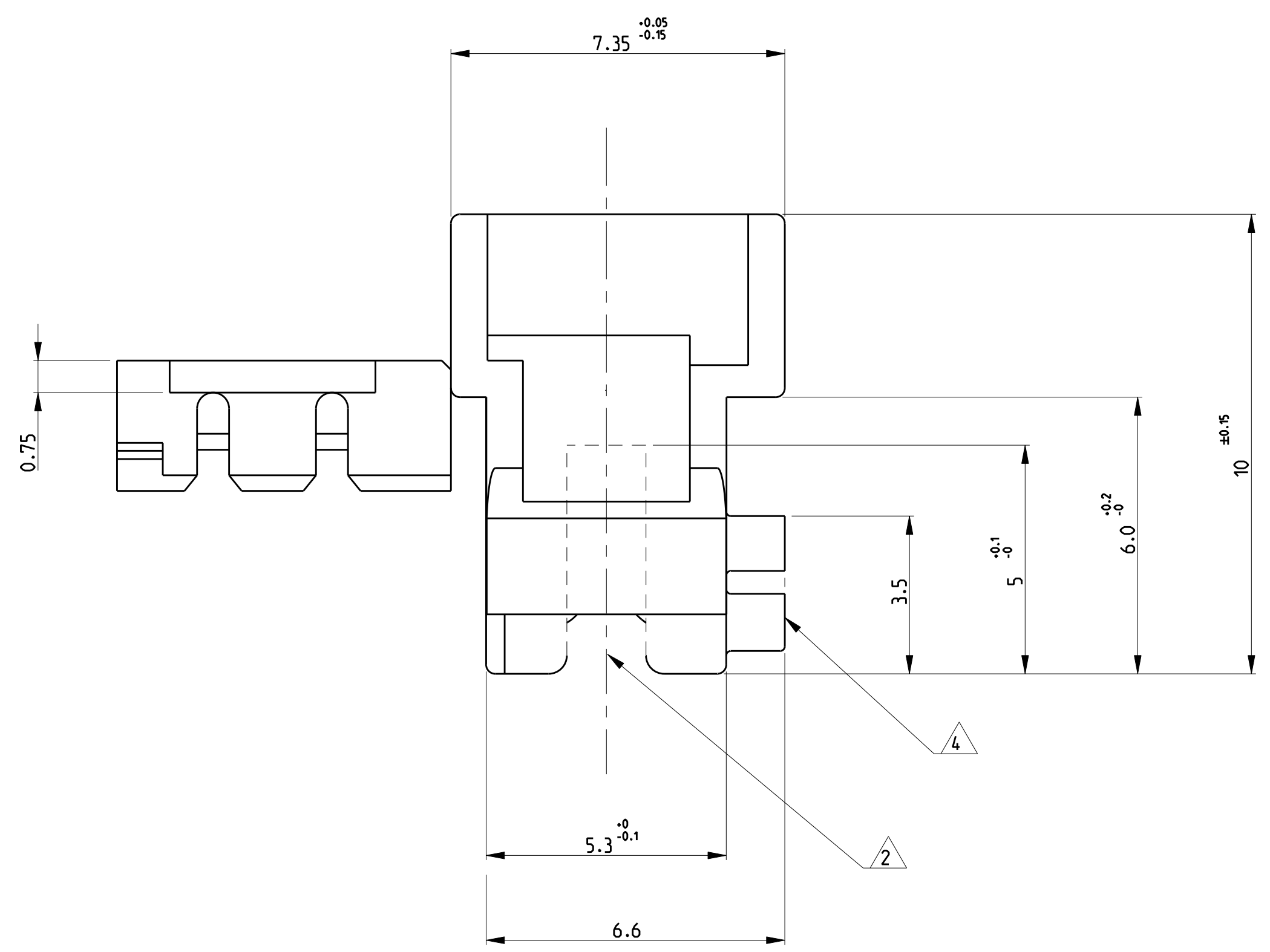
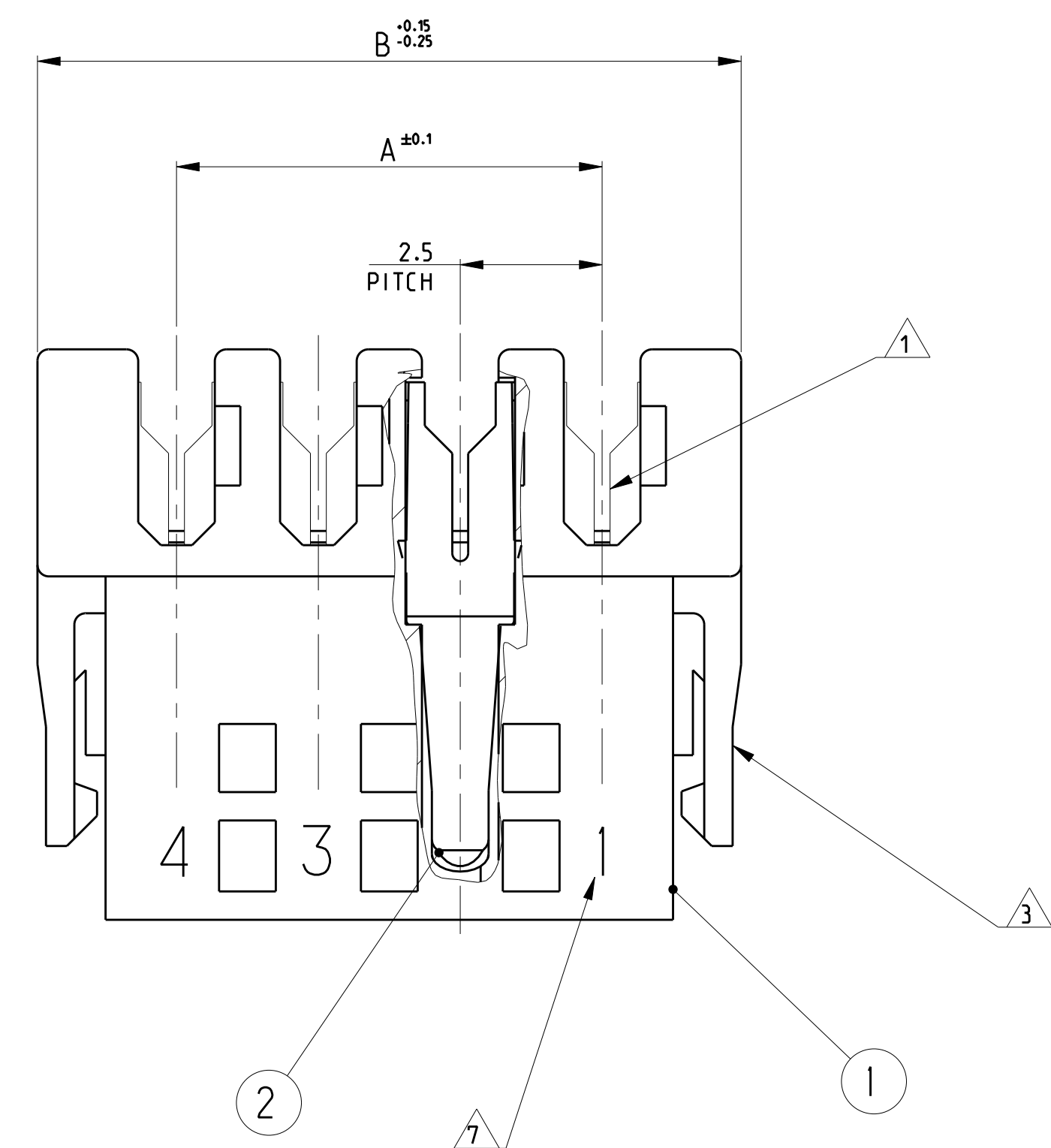
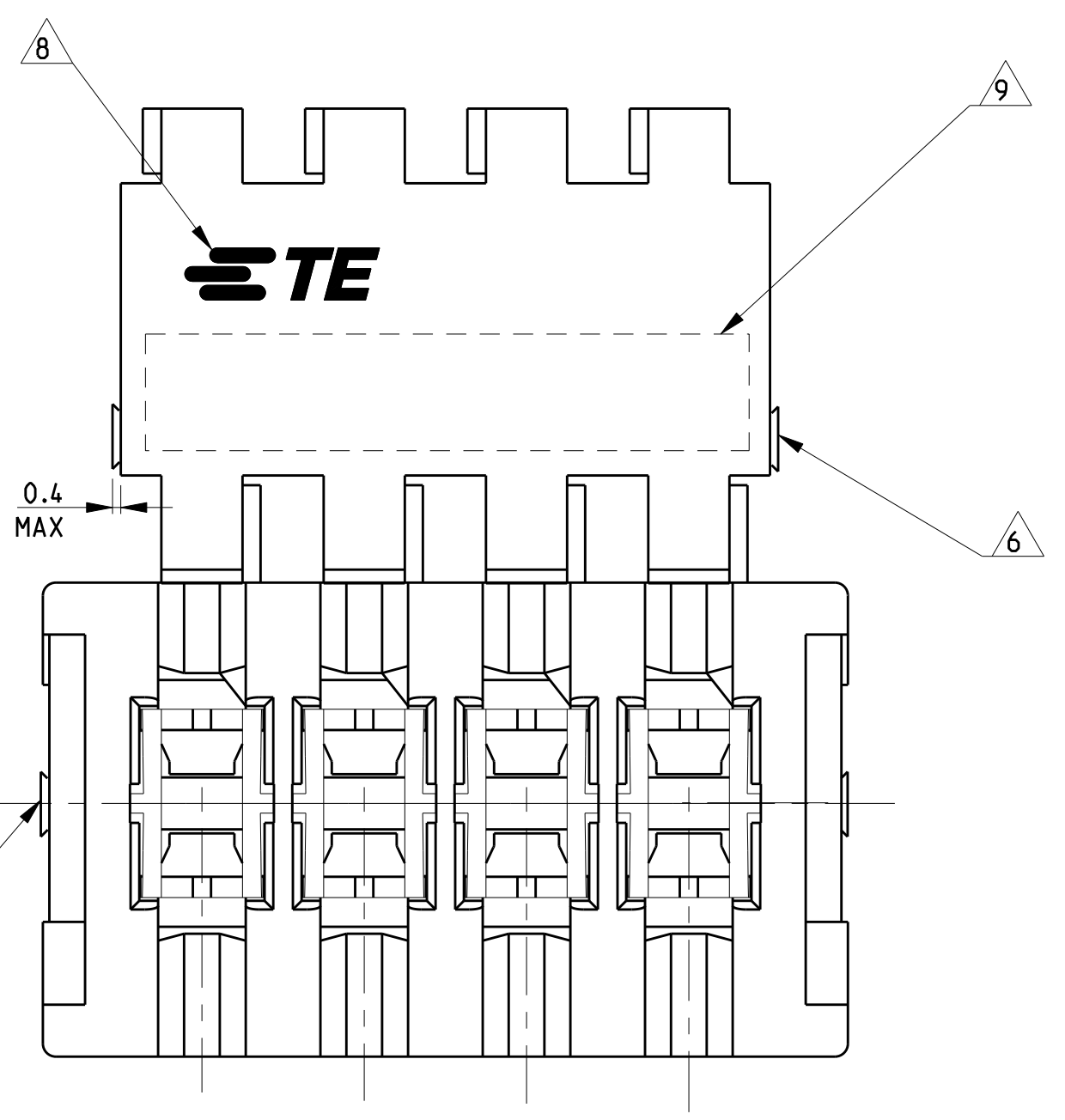


LOC	DIST	REV	DATE	BY	APPV
1	-	A18	09DEC 2015	KD	RR
		A19	18NOV 2016	FV	RR
		A20	19 JUL 2017	RS	DC
		A21	22NOV 2018	BW	DC



SCALE 5:1



- 1 WIRE RANGE : STRANDED 0.22-0.35 mm<sup>2</sup> (INS. DIA. 1.30±0.1)
- 2 MATING PART: P.C.B. EDGE, DOUBLE SIDE, THK 1.5 (COPPER CLADDING INCLUDED)
- 3 SIDE LOCKING DEVICE
- 4 KEYING RIBS TO BE REMOVED BY TERMINATION MACHINE
- 5 POLARIZATION RIBS BETWEEN CAVITIES
- 6 CUT OFF DIMENSION DUE TO PRODUCTION PROCESS
- 7 CIRCUIT No. IDENTIFICATION
- 8 TE TRADEMARK (OPTIONAL POSITION)
- 9 TAMPOGRAPHIC COLOUR CODE AREA (P/Ns IDENTIFICATION BEFORE CRIMPING AREA)
- 10 FOR PCB LAYOUT, SEE PAGES 2-3  
FOR CONNECTION VIEW LAYOUT, SEE PAGE 3
- 11 NOT YET RELEASED FOR PRODUCTION
- 12 NOT DEFINED DURING PRELIMINARY STATUS
- 13 PBT GF
- 14 PBT GF, UL94-V0 & GWEP7 750 NO-FLAME, NATURAL

COLOUR CODE	POLARIZ. RIB POS.	HSG POS.	DIM.A	DIM.B	TE P/N	TE P/N	
BLACK	13/14	14	32.5	37.4	1-284865-4	2311503-4	
RED	11/12	12	27.5	32.4	2-284865-2	1-2311503-2	
BLACK	2/3				1-284865-2	2311503-2	
RED	9/10	10	22.5	27.4	2-284865-0	2-2311502-0	
BLACK	2/3	9	20.0	24.9	0-284865-9	2311502-9	
RED	3/4	8	17.5	22.4	2-284865-8	1-2311502-8	
BLACK	2/3				0-284865-8	2311502-8	
-	5/6	7	15.0	19.9	1-284865-7	11 3-2311502-7	
BLACK	2/3				0-284865-7	2311502-7	
-	3/4				5-284865-6	4-2311502-6	
ORANGE	5/6				11 4-284865-6	11 3-2311502-6	
OBSOLETE	BLUE	1/2	6	12.5	17.4	3-284865-6	-
RED	4/5				2-284865-6	1-2311502-6	
BLACK	2/3				0-284865-6	2311502-6	
GREY	1/2				3-284865-5	2-2311502-5	
RED	3/4	5	10.0	14.9	2-284865-5	1-2311502-5	
BLACK	2/3				0-284865-5	2311502-5	
RED	3/4				3-284865-4	1-2311502-4	
OBSOLETE	RED	N/A			2-284865-4	-	
BLACK	1/2	4	7.5	12.4	0-284865-4	2311502-4	
RED	1/2	3	5.0	9.9	2-284865-3	1-2311502-3	
BLACK	2/3				0-284865-3	2311502-3	

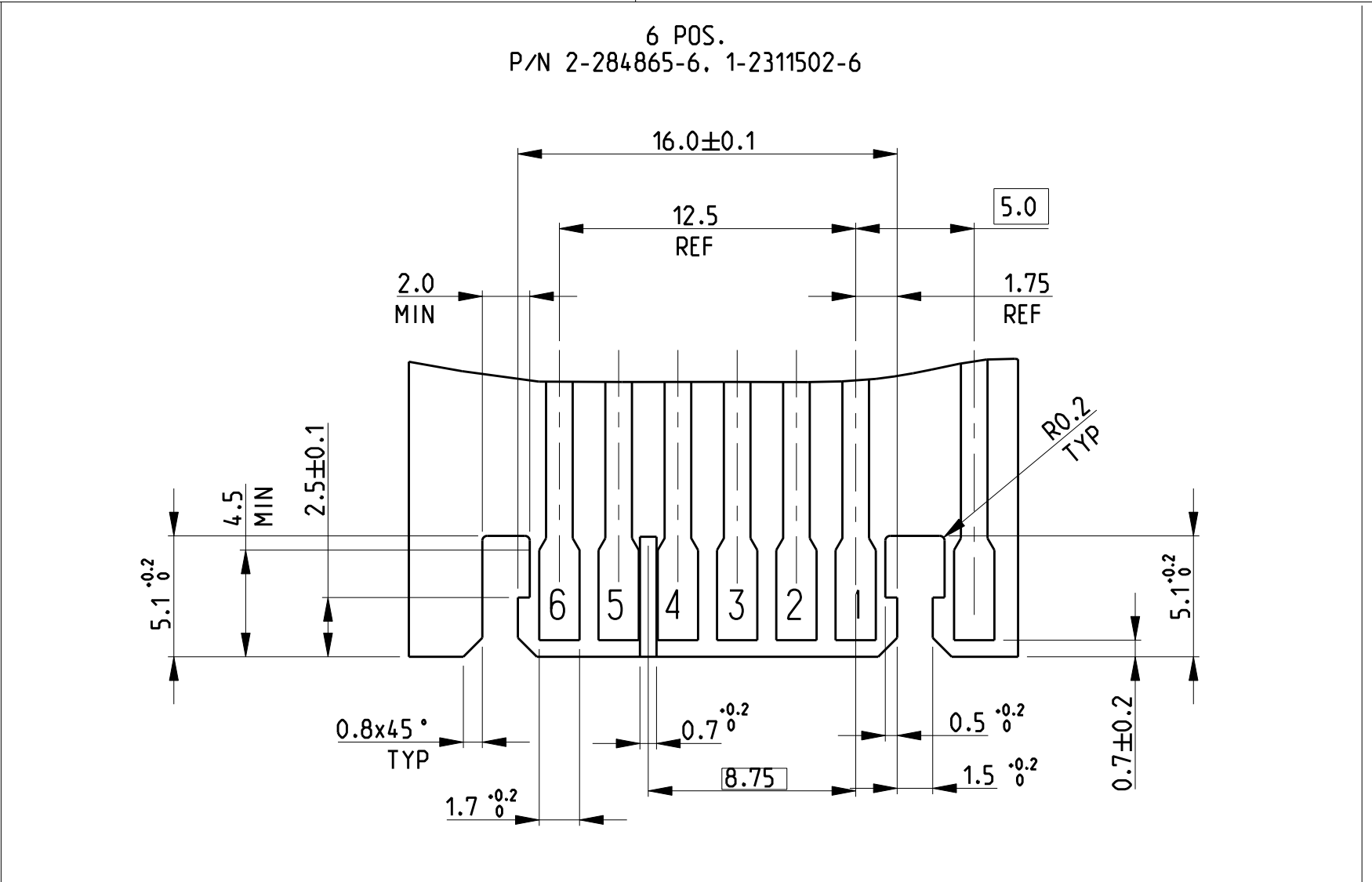
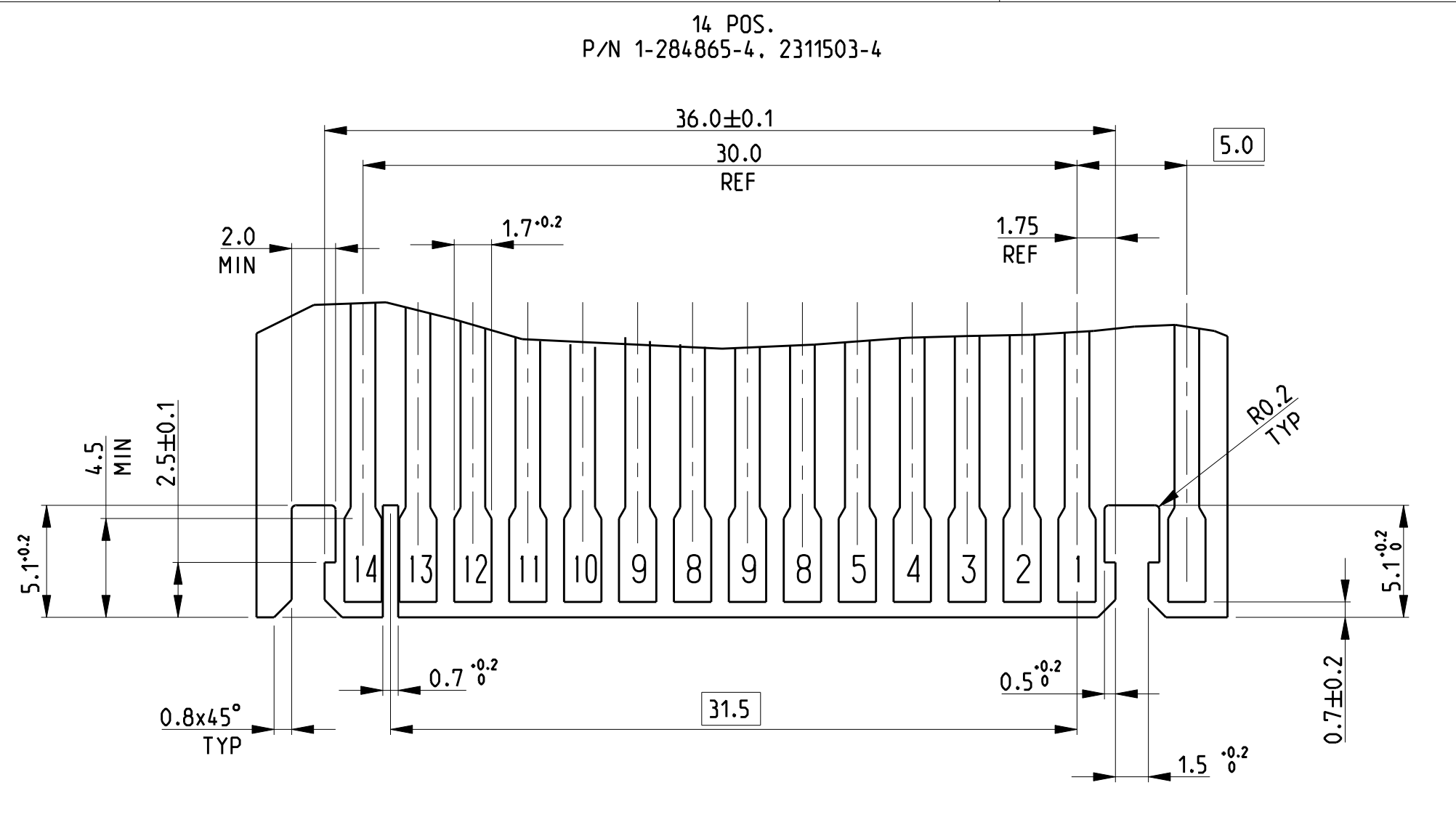
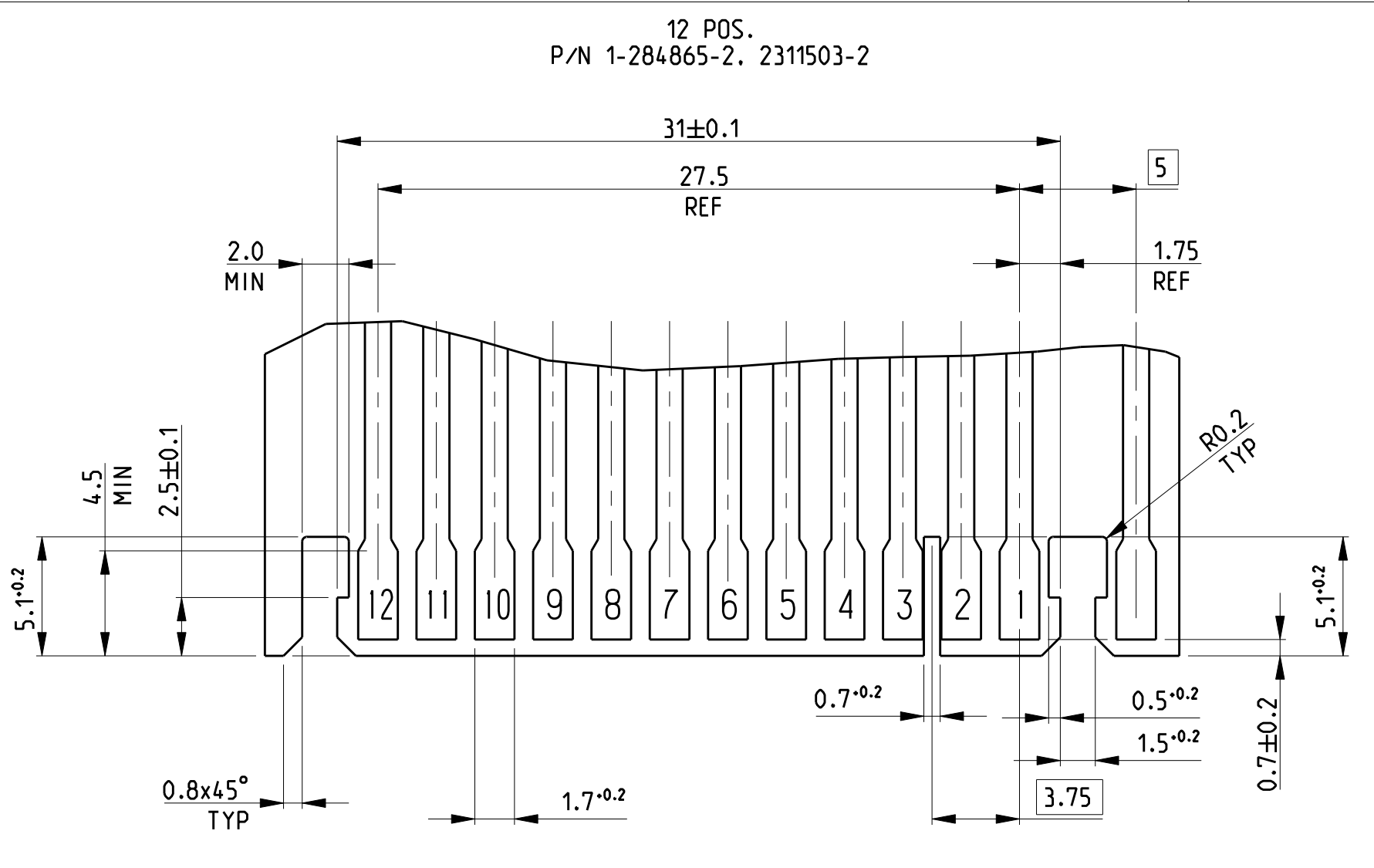
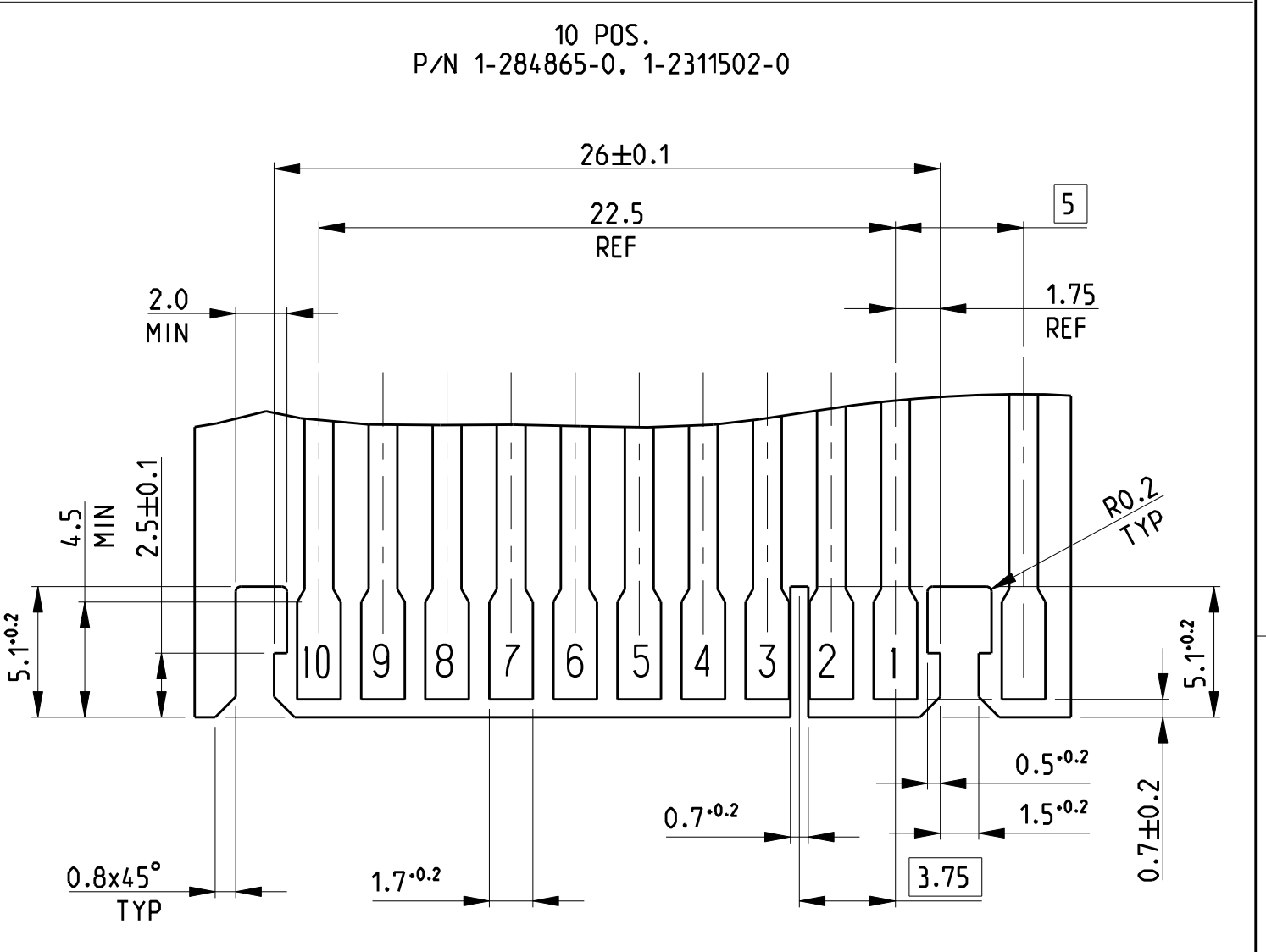
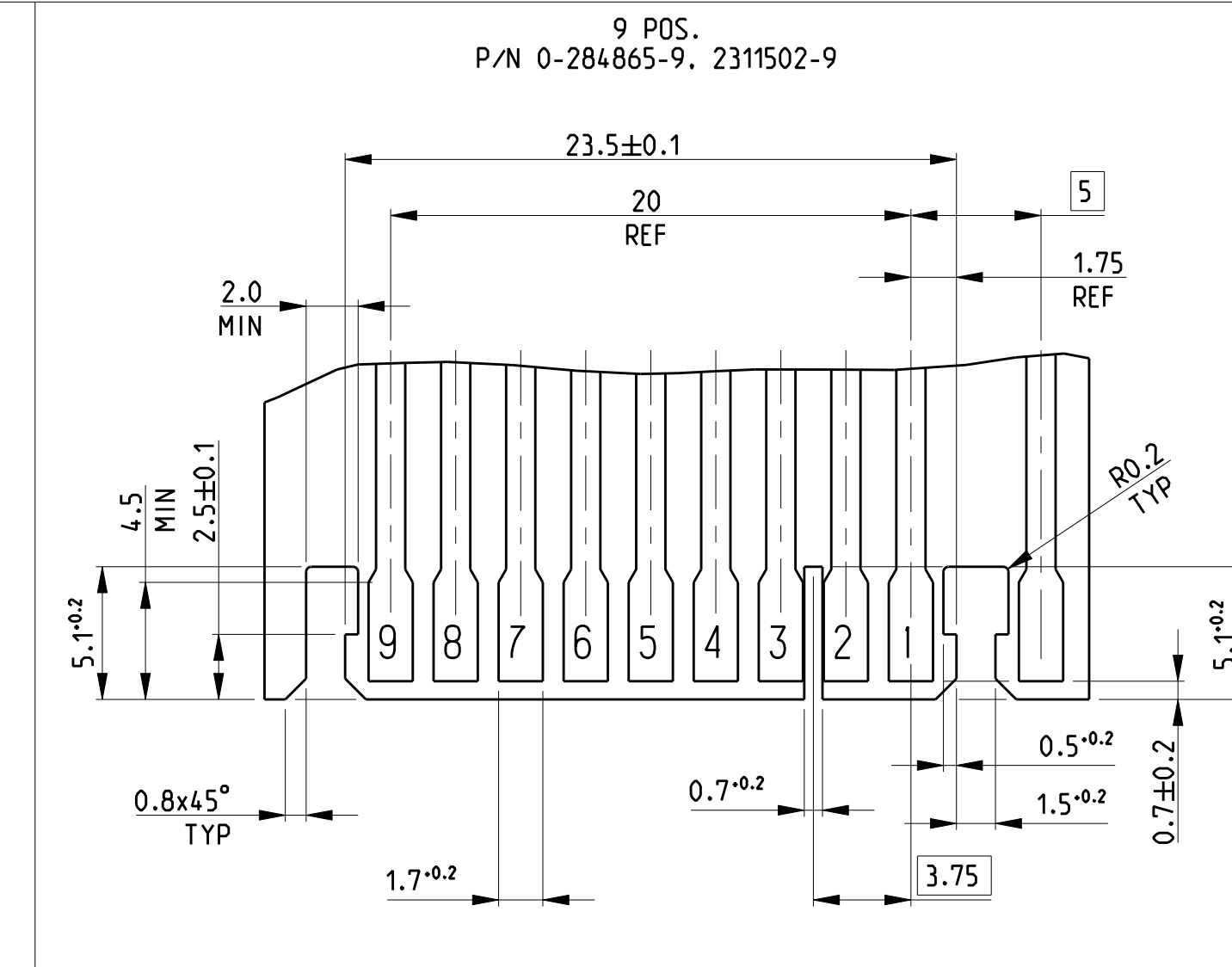
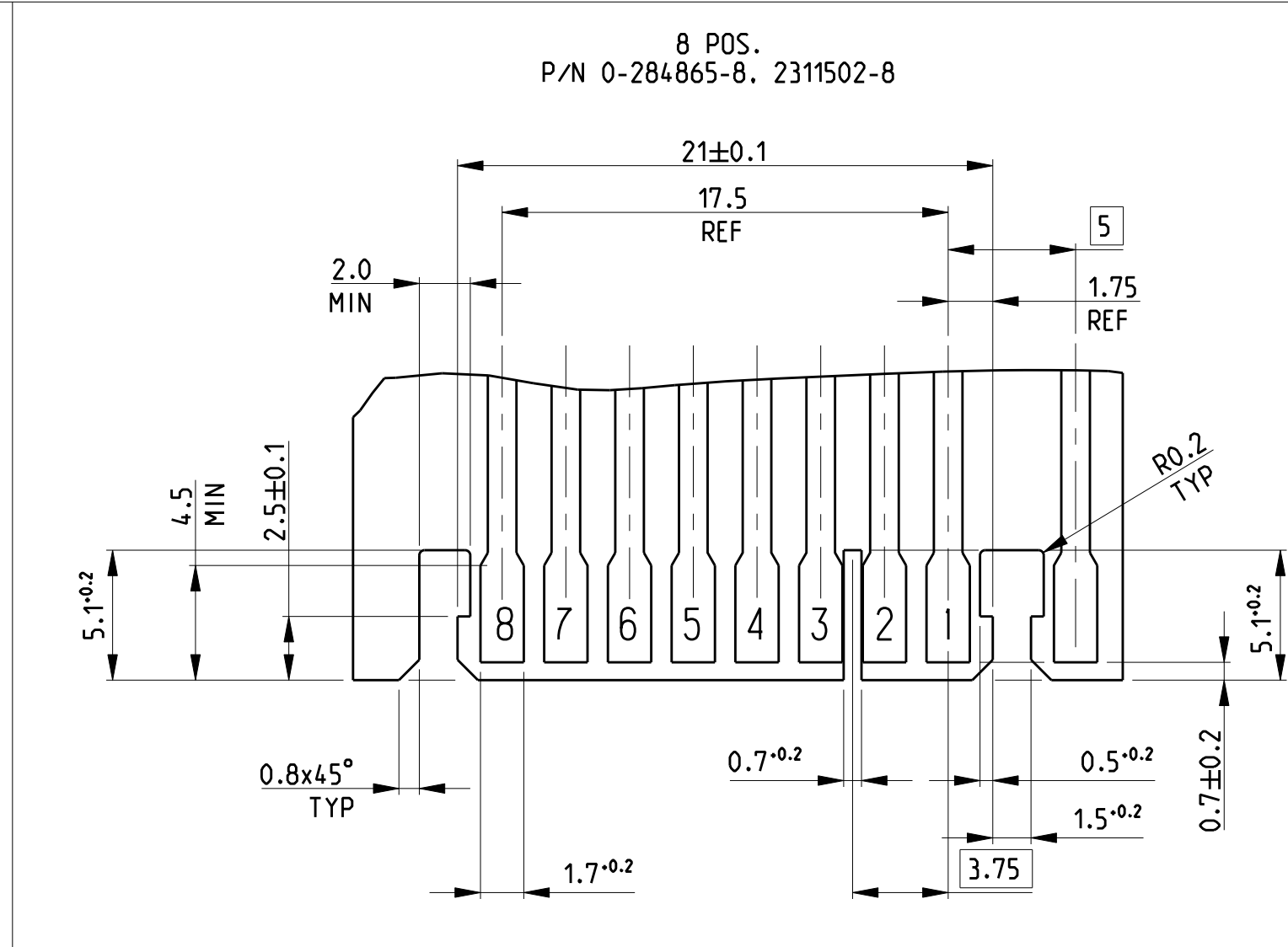
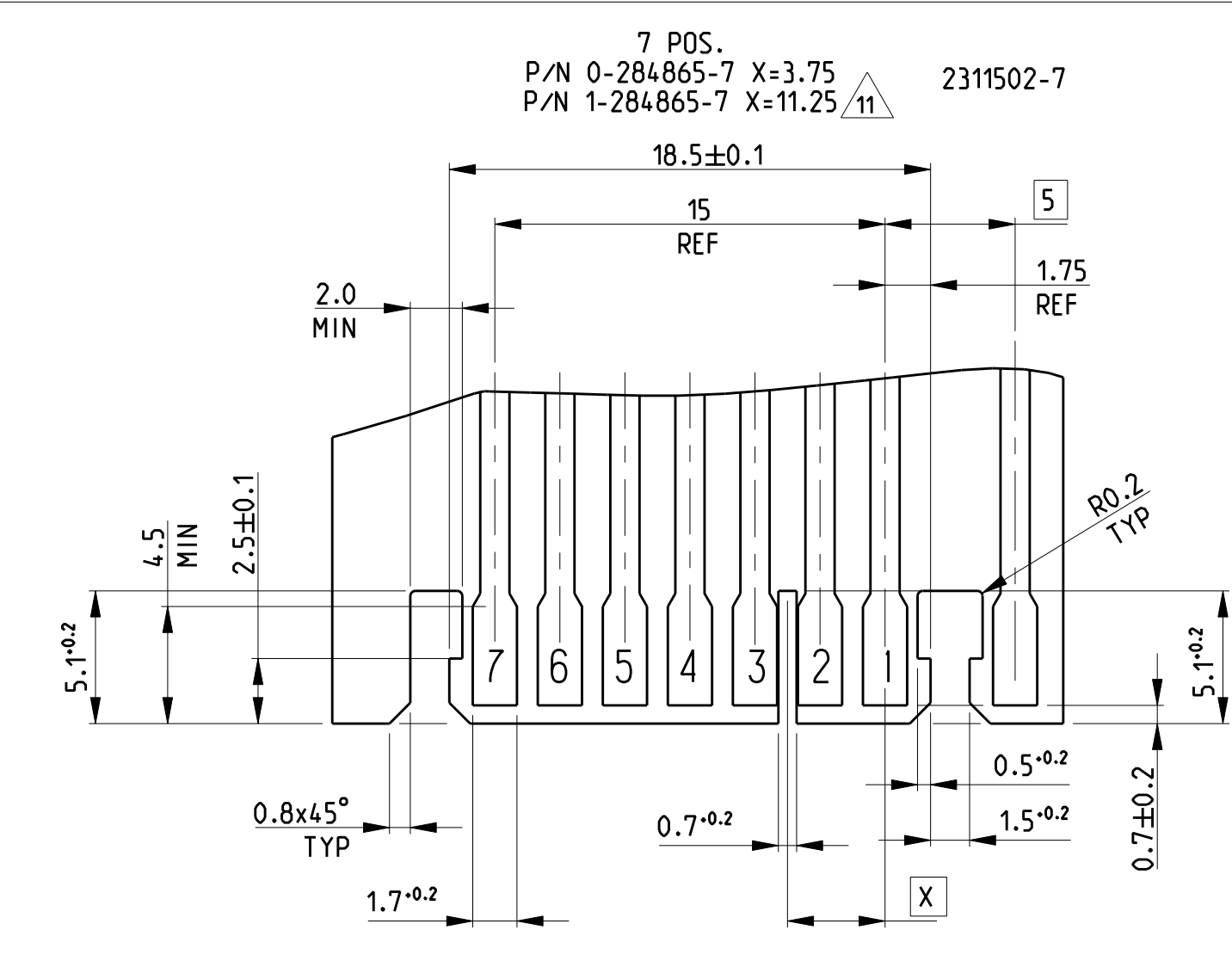
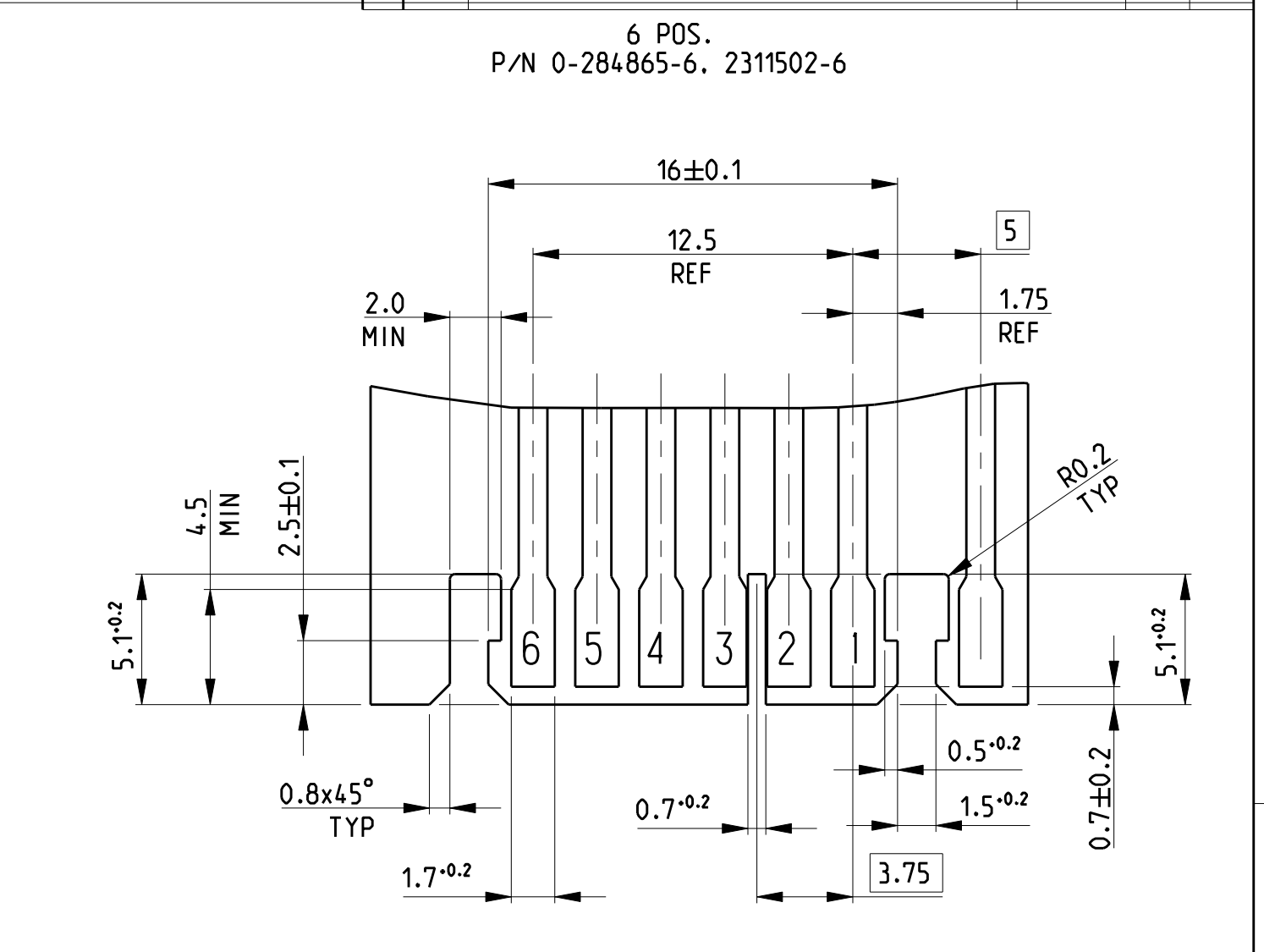
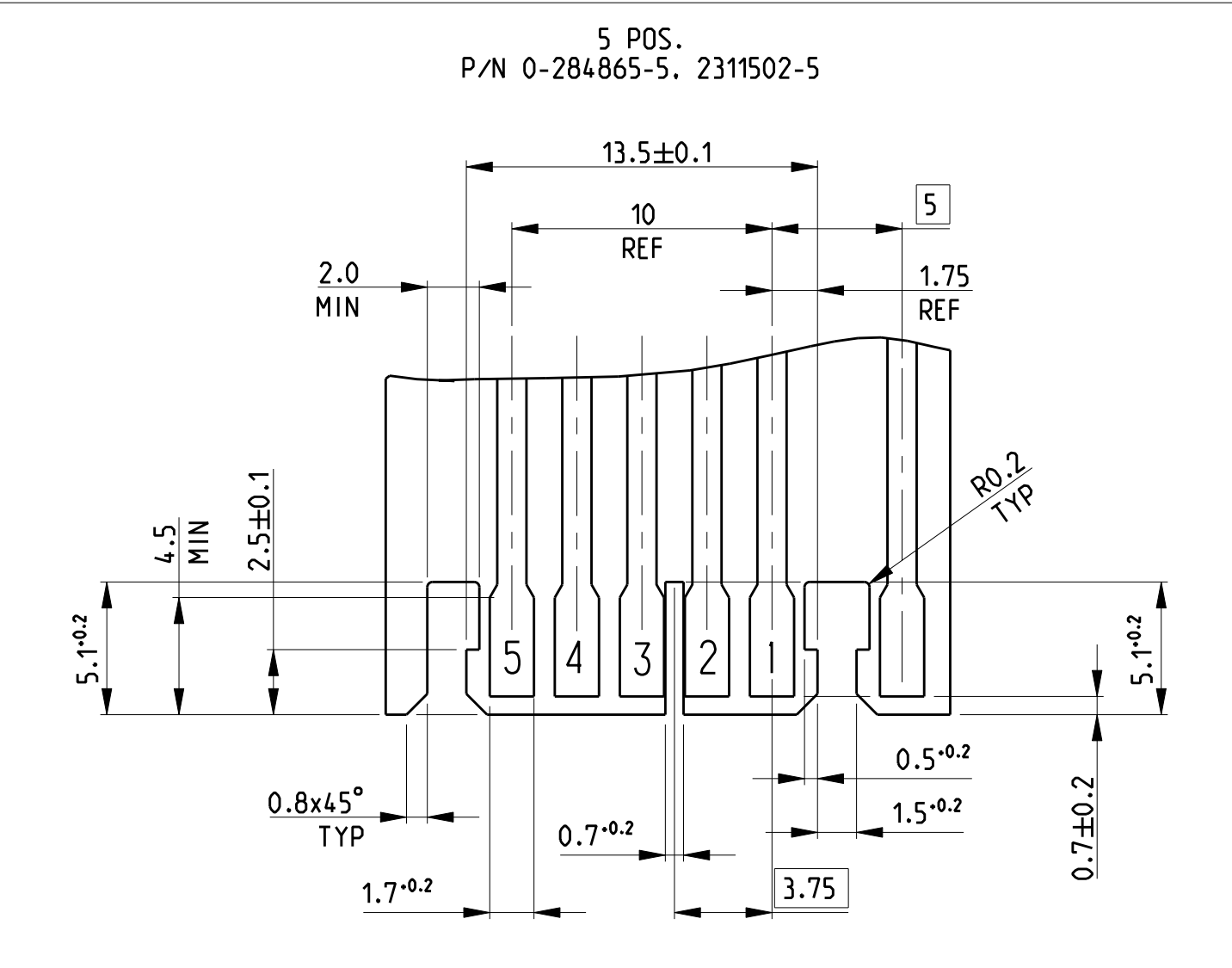
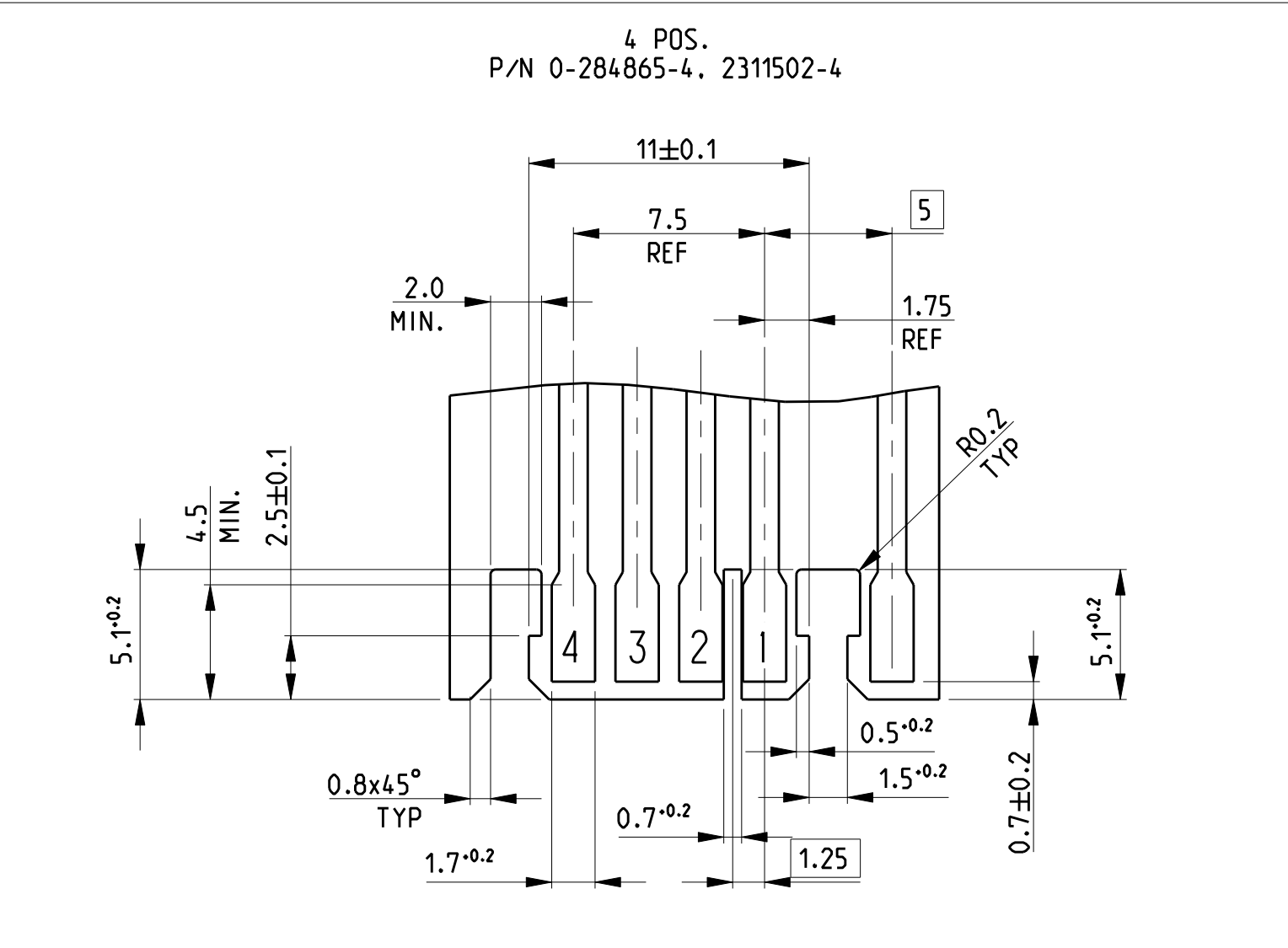
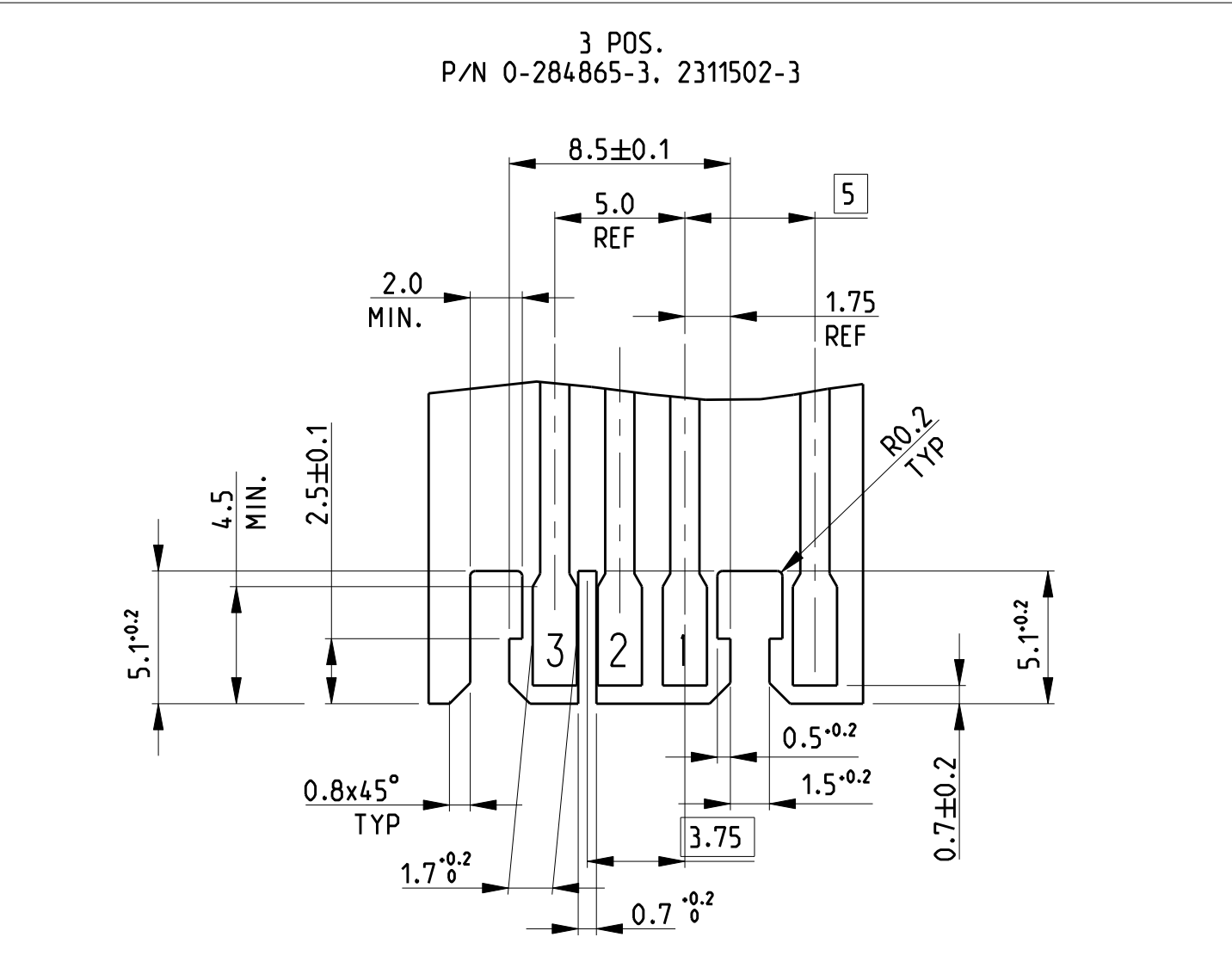
P/N 0-284865-4 AS SHOWN

-				THIS DRAWING IS A CONTROLLED DOCUMENT.		03 JUL 2002		R. FABRIS	
SEE TABLE	PH. BRONZE, TIN PLATED	IDC RECEPTACLE CONTACT	2	DIMENSIONS: mm	TOLERANCES UNLESS OTHERWISE SPECIFIED:	TE Connectivity			
Q.TY	MATERIAL	DESCRIPTION	ITEM						
1	PBT GLASS FIBER FILLED	FEMALE HOUSING	1			NAME: DUOPLUG 2.5 FEMALE CONN., SIDE LOCKING KEYPED (FULLY LOADED)			
REVISIONE DELL'ASSEMBLATO (REVISION OF EACH ASSY NO)				MATERIAL SEE TABLE		FINISH SEE TABLE		WEIGHT: - SCALE: 10:1	
ELENCO DEI COMPONENTI (PARTS LIST)				SEE TABLE		SIZE: CAGE CODE DRAWING NO: A1 00779 C=284865		SHEET 1 OF 4 REV A21	

# PCB LAYOUT -Soldering side-

(SCALE 4:1)

LOC	DIST	REV	DESCRIPTION	DATE	OWN	APVD
1	-	1	SEE SHEET 1	-	-	-



THIS DRAWING IS A CONTROLLED DOCUMENT. OWN R. FABRIS 03JUL2002  
 DIMENSIONS: mm  
 TOLERANCES UNLESS OTHERWISE SPECIFIED:  
 0 PLC ±0.1  
 1 PLC ±0.1  
 2 PLC ±0.1  
 3 PLC ±0.1  
 4 PLC ±0.1  
 ANGLES ±0.5°  
 MATERIAL SEE TABLE  
 FINISH SEE TABLE

Customer Drawing

SCALE 10:1 SHEET 2 OF 4

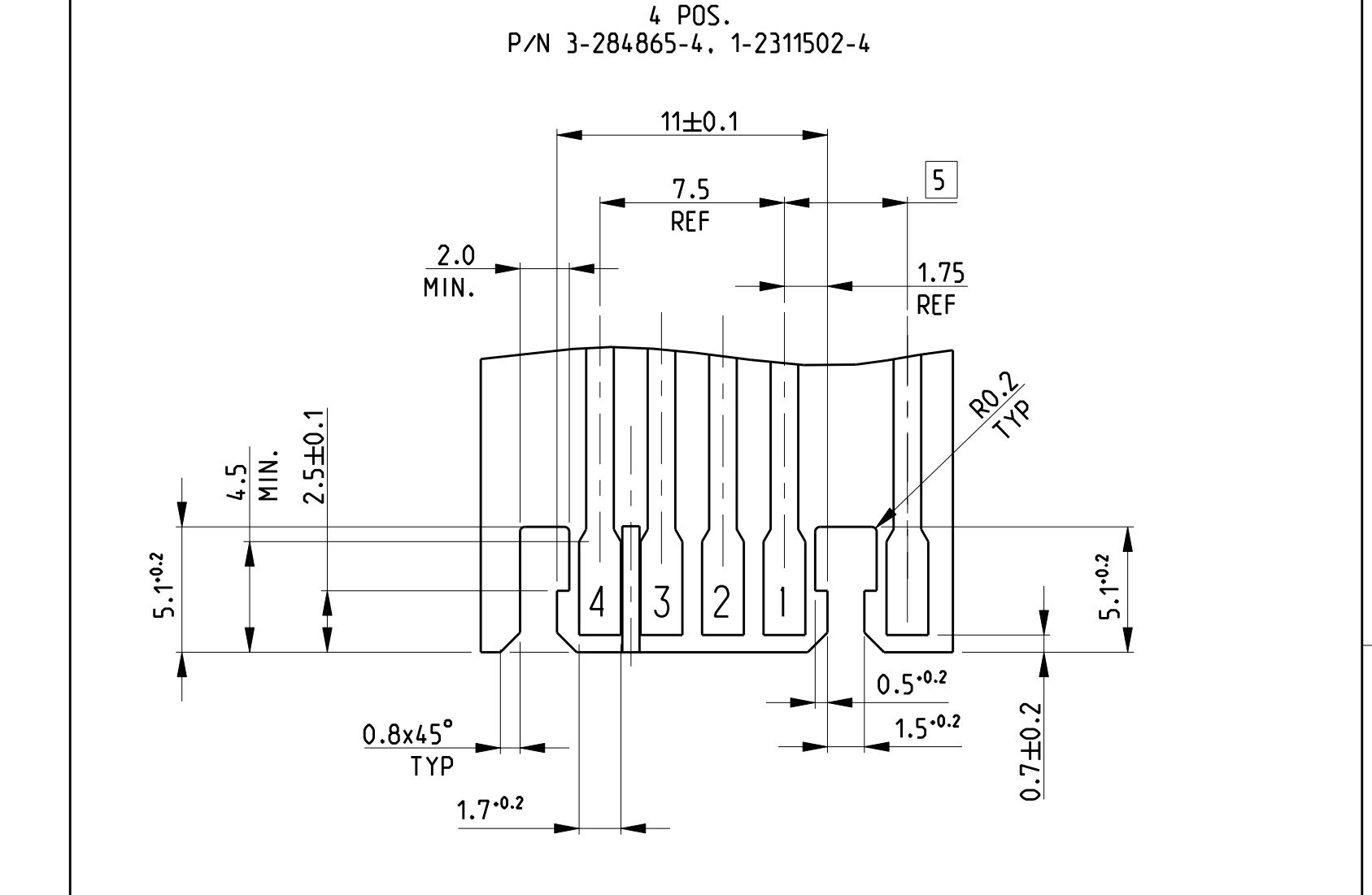
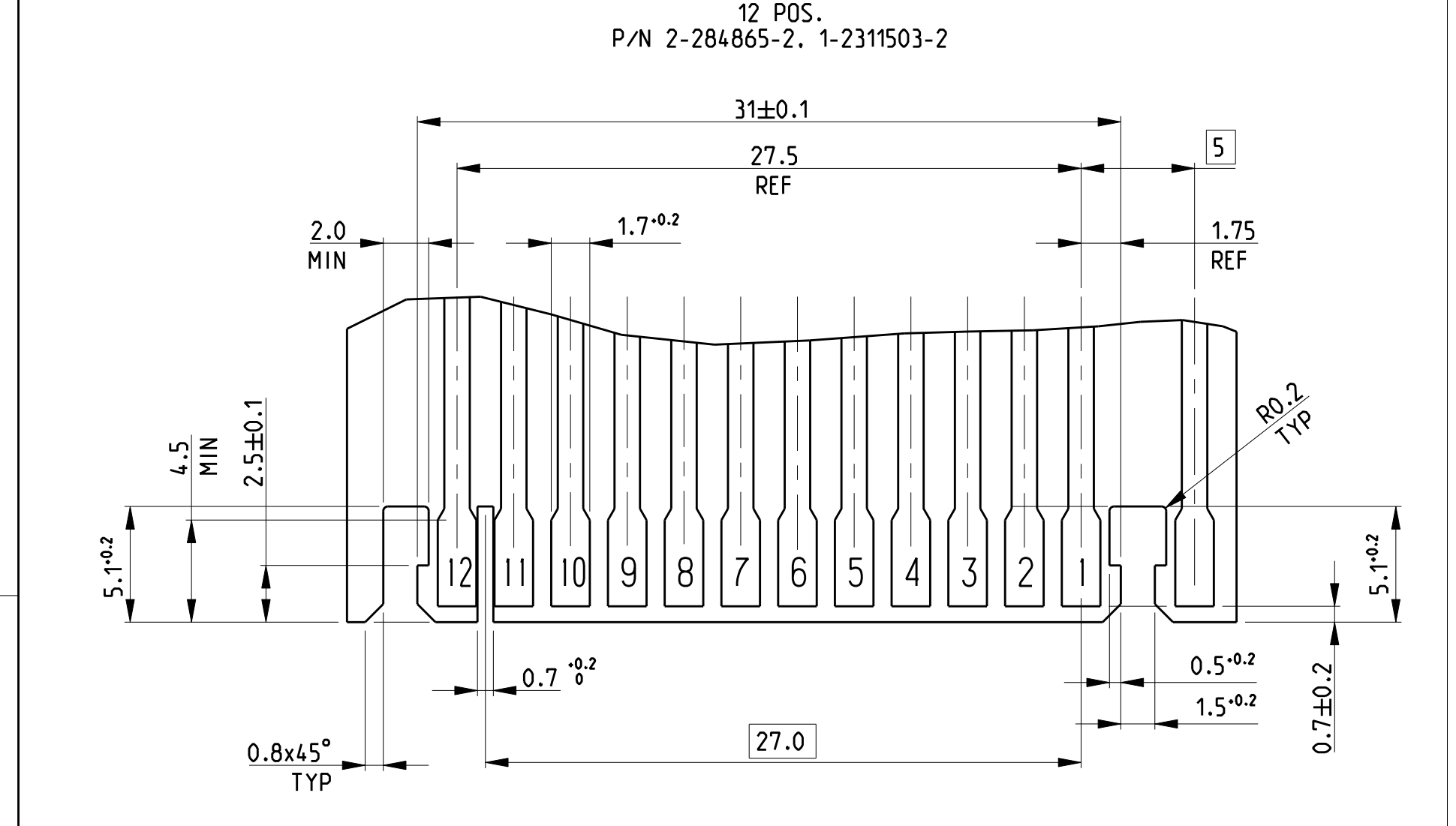
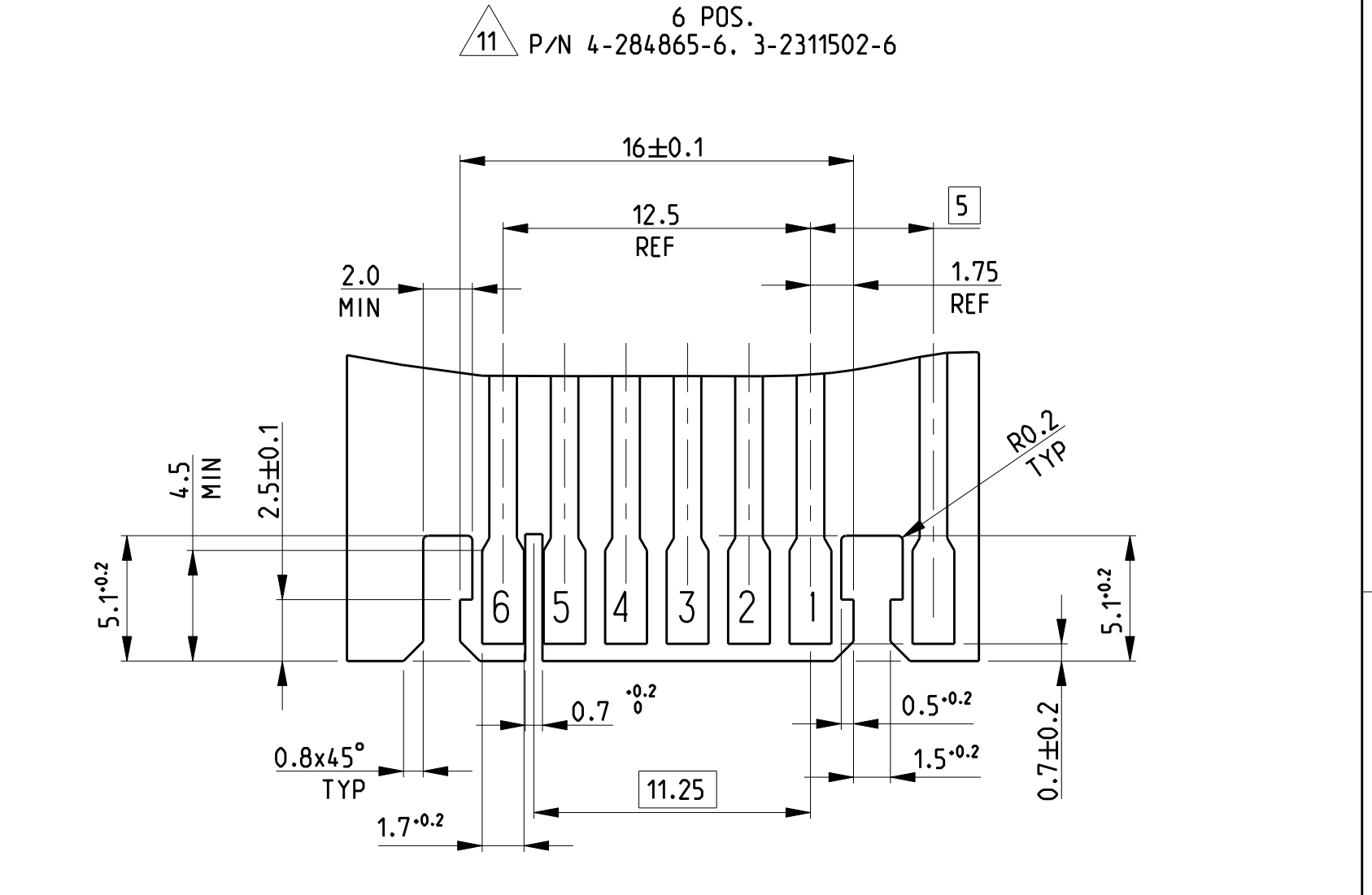
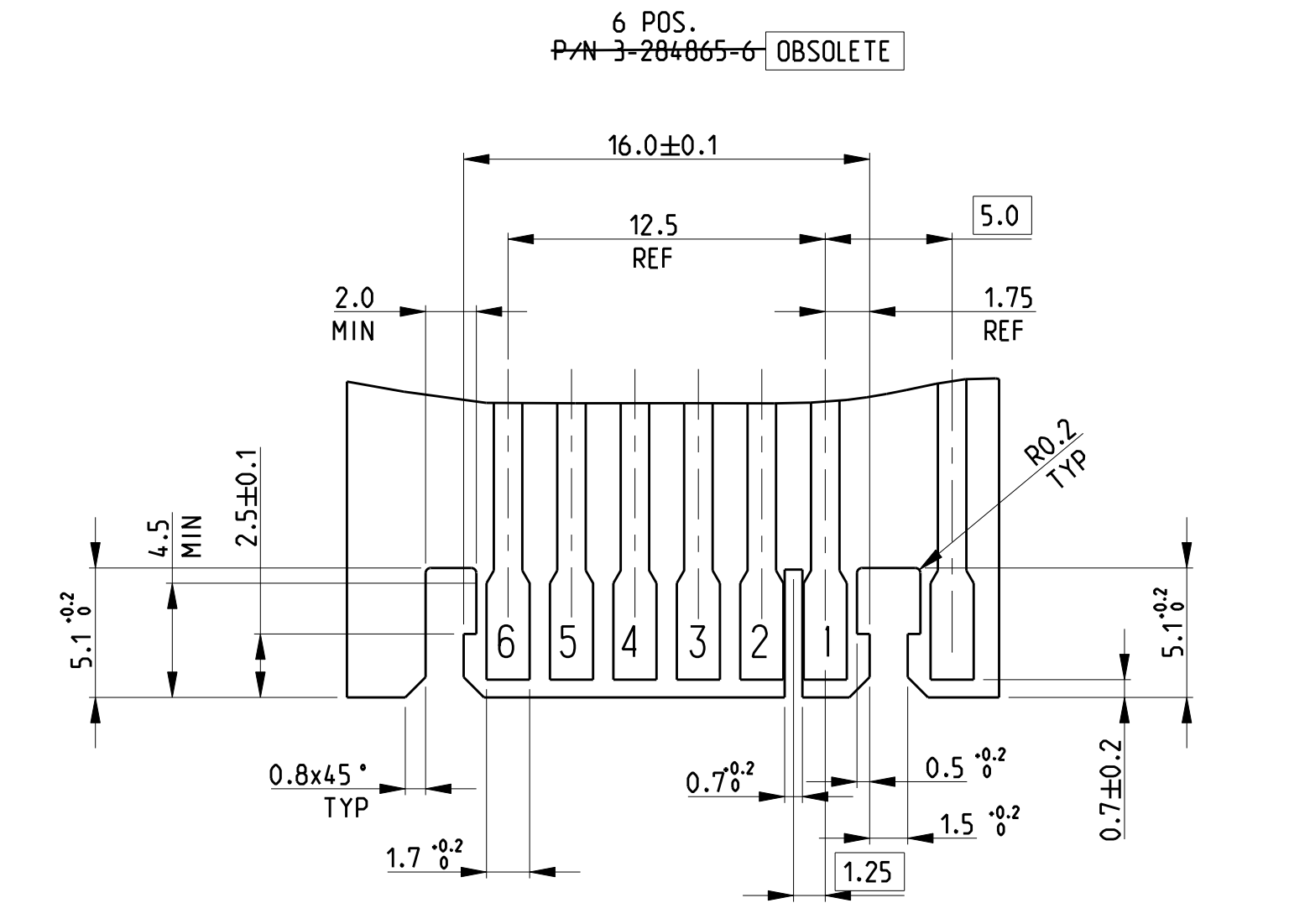
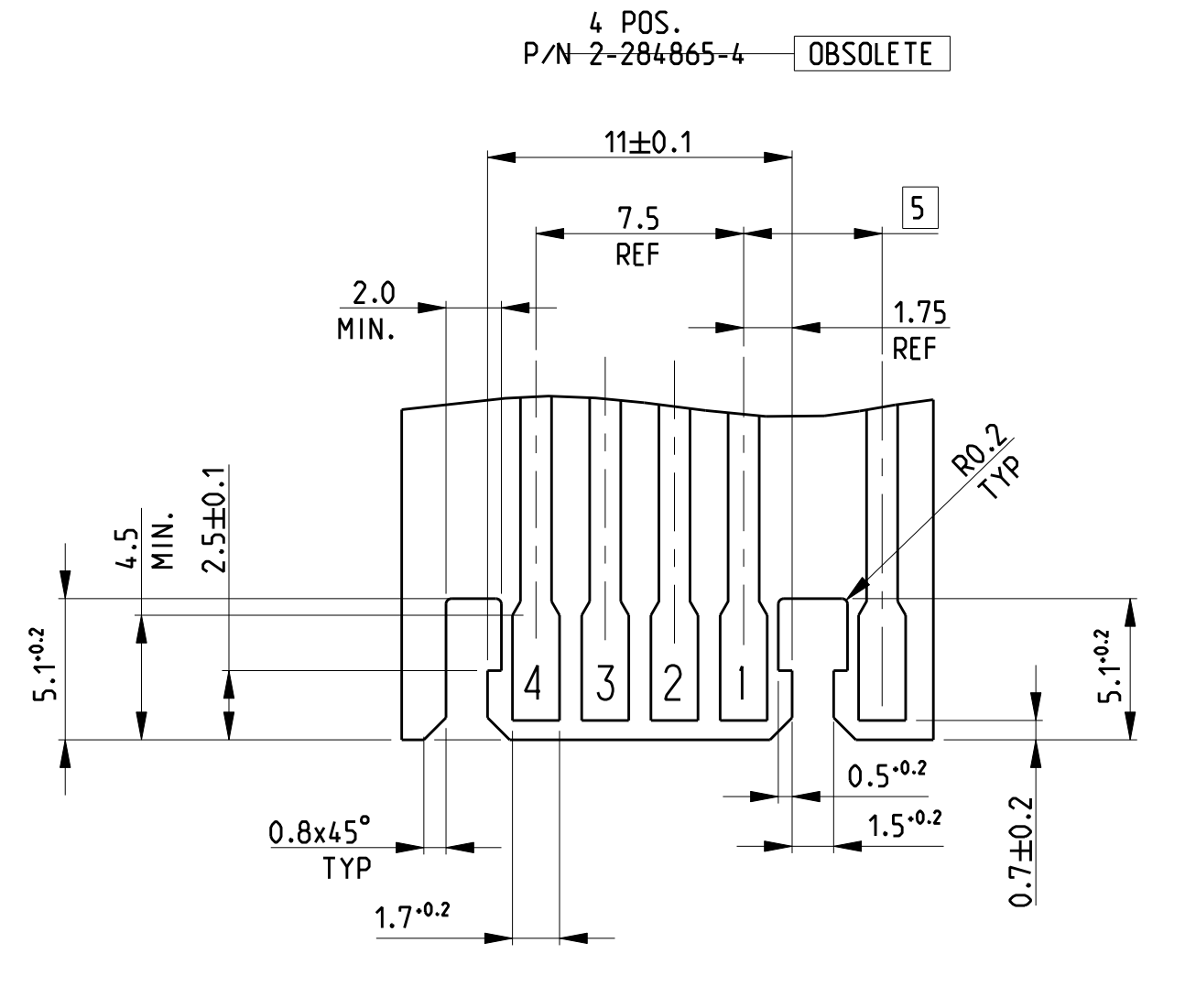
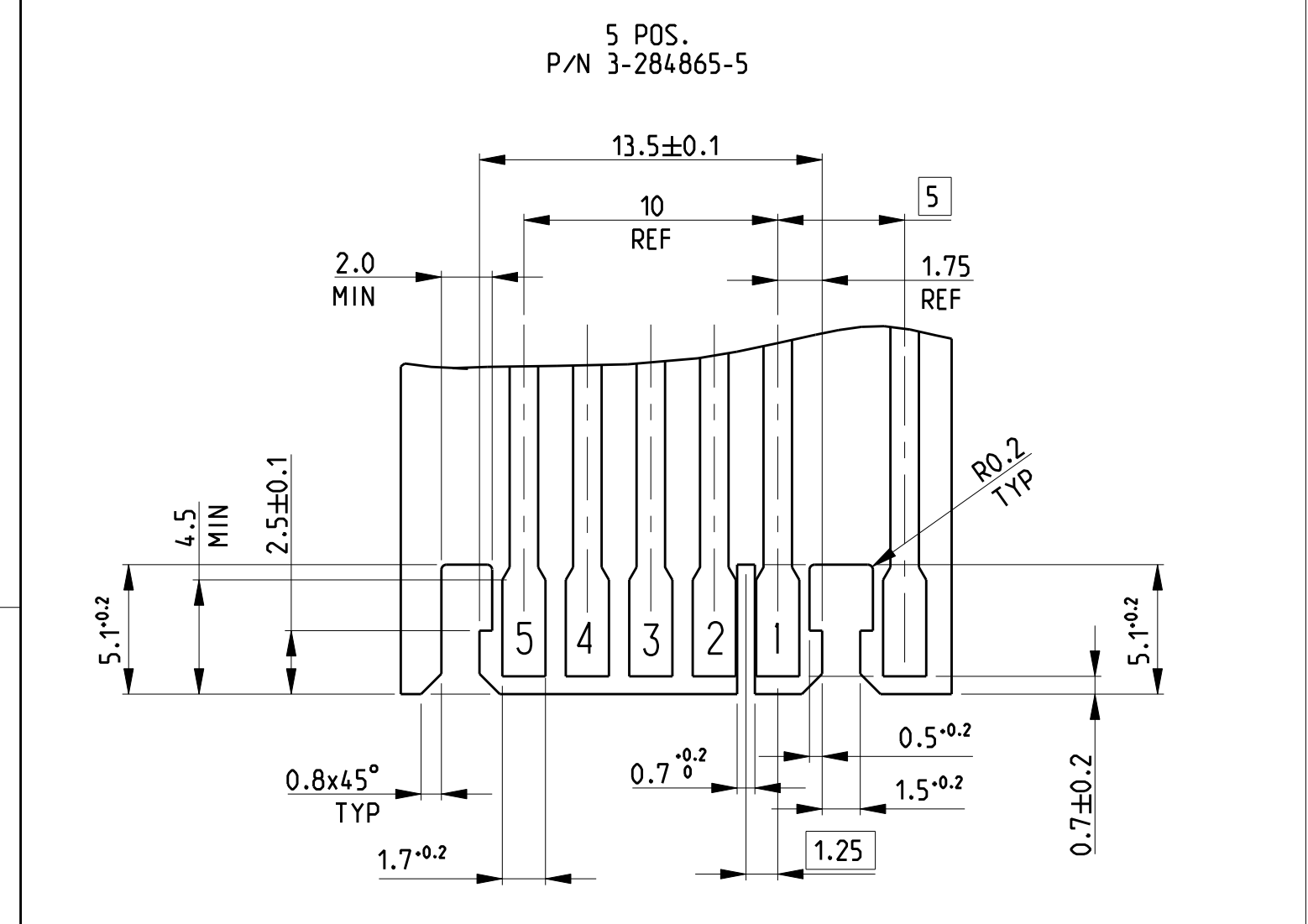
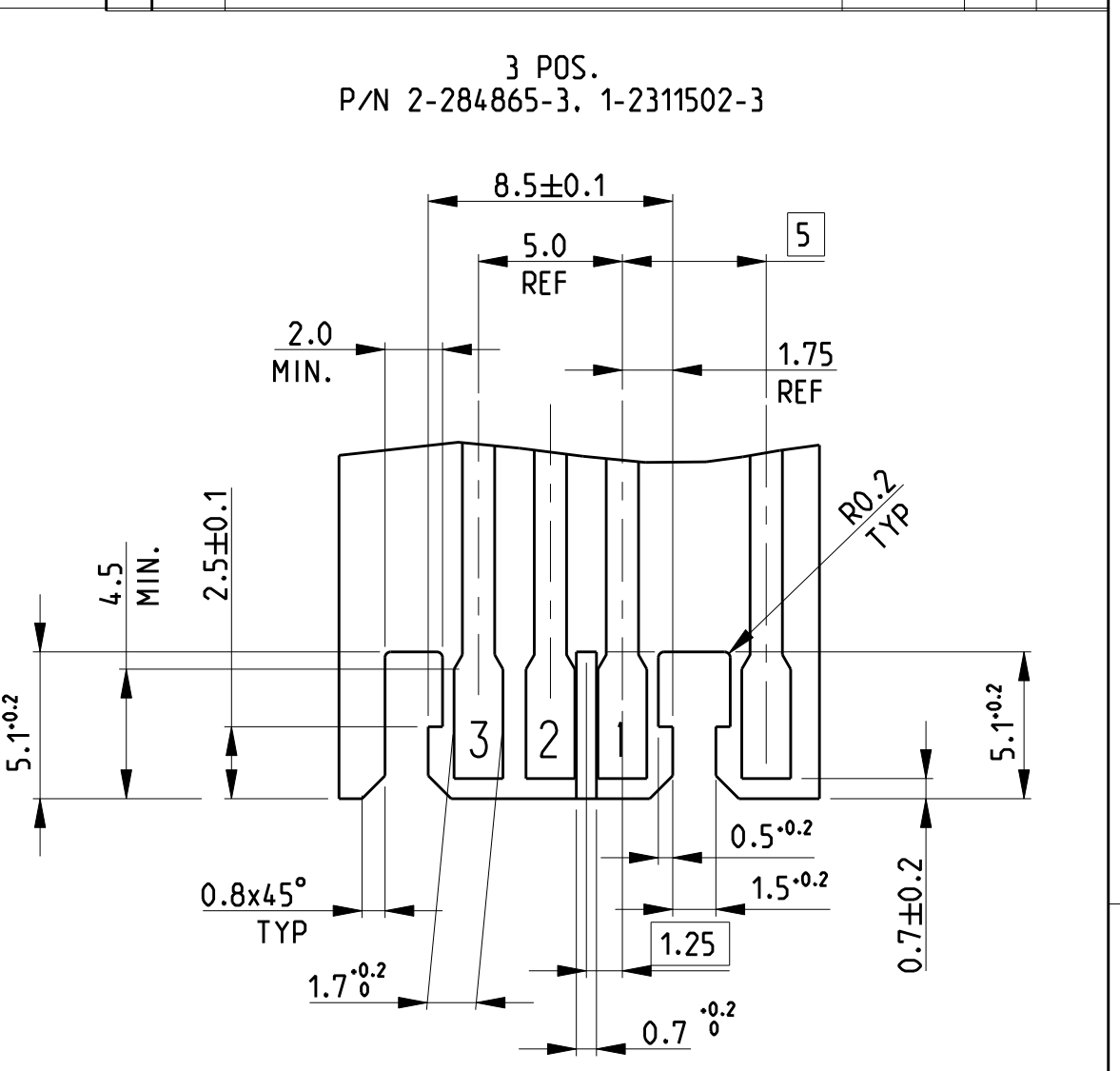
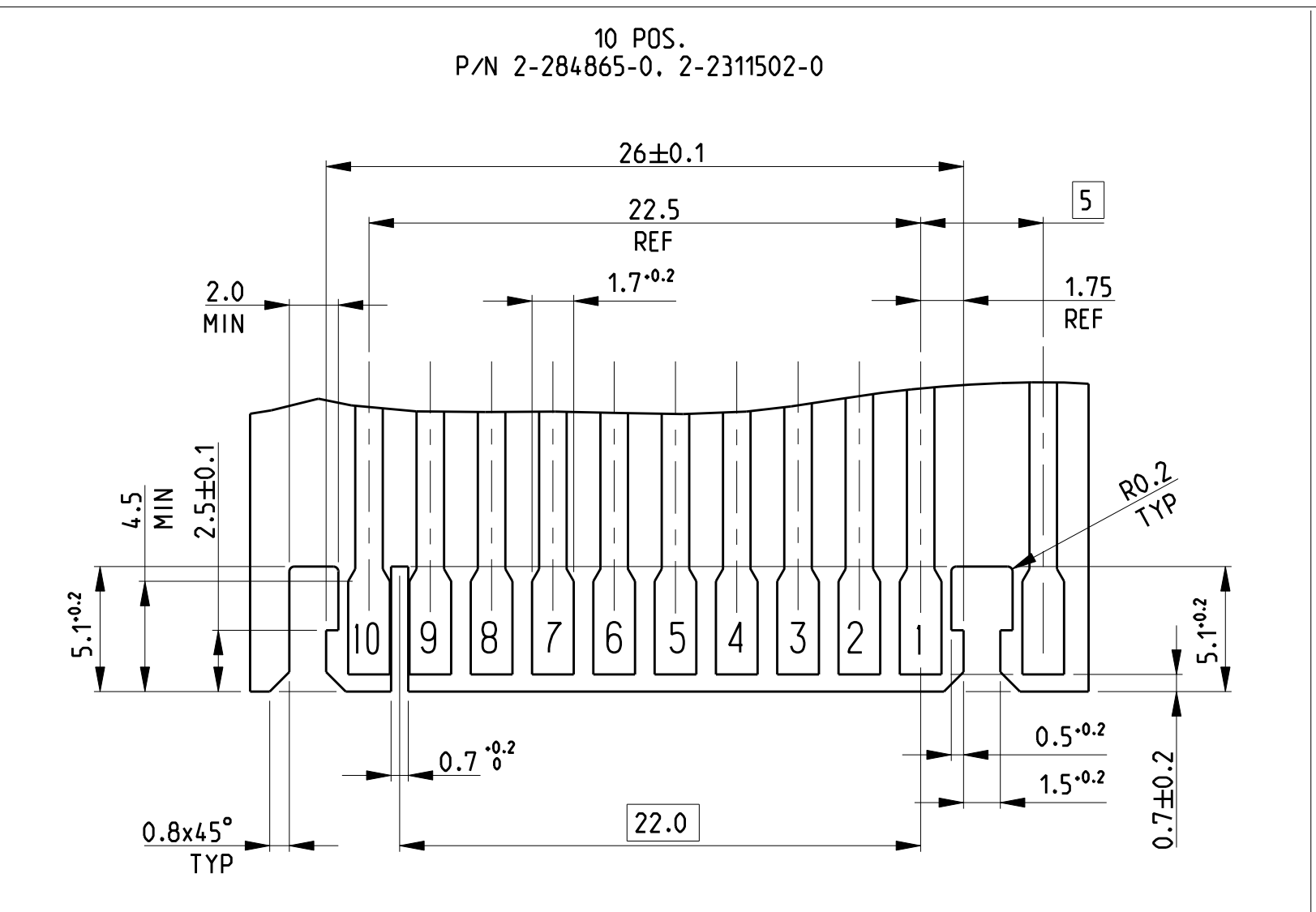
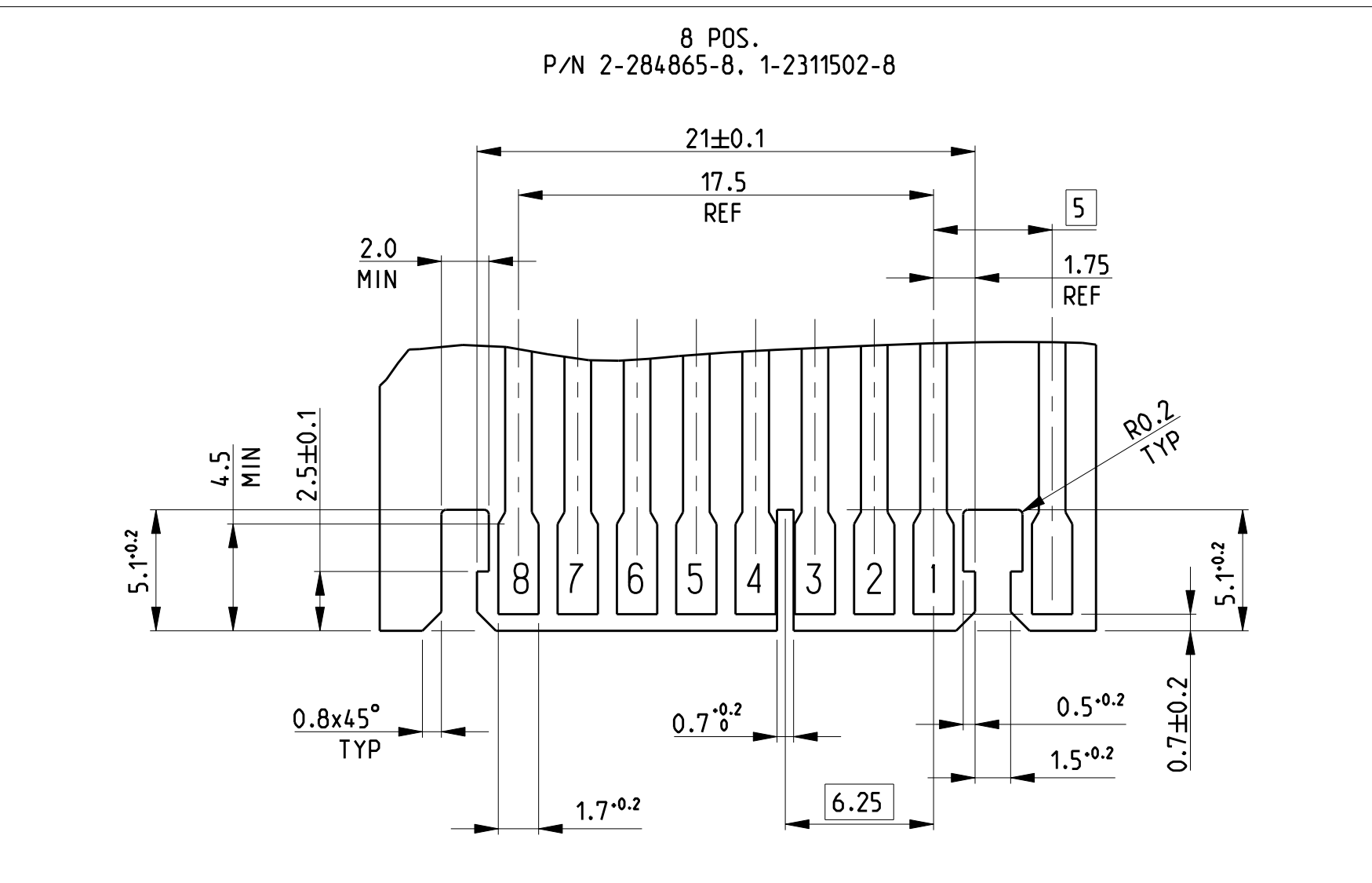
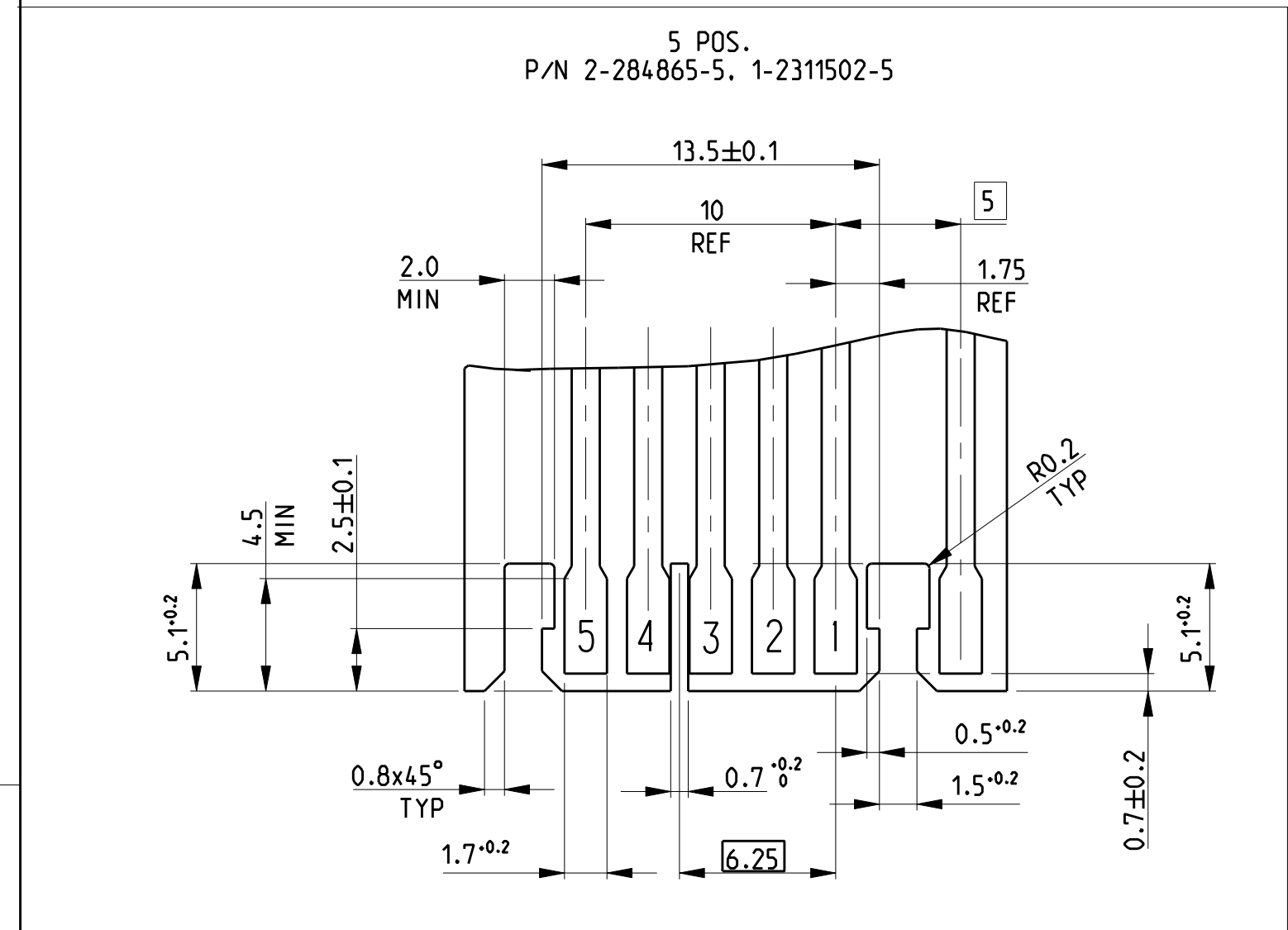
STE TE Connectivity  
 DUOPLUG 2.5 FEMALE CONN.,  
 SIDE LOCKING  
 KEYED (FULLY LOADED)

100-20238  
 114-18049-1  
 A1 00779 C=284865

REVISIIONS		DATE	OWN	APVD
1	SEE SHEET 1	-	-	-

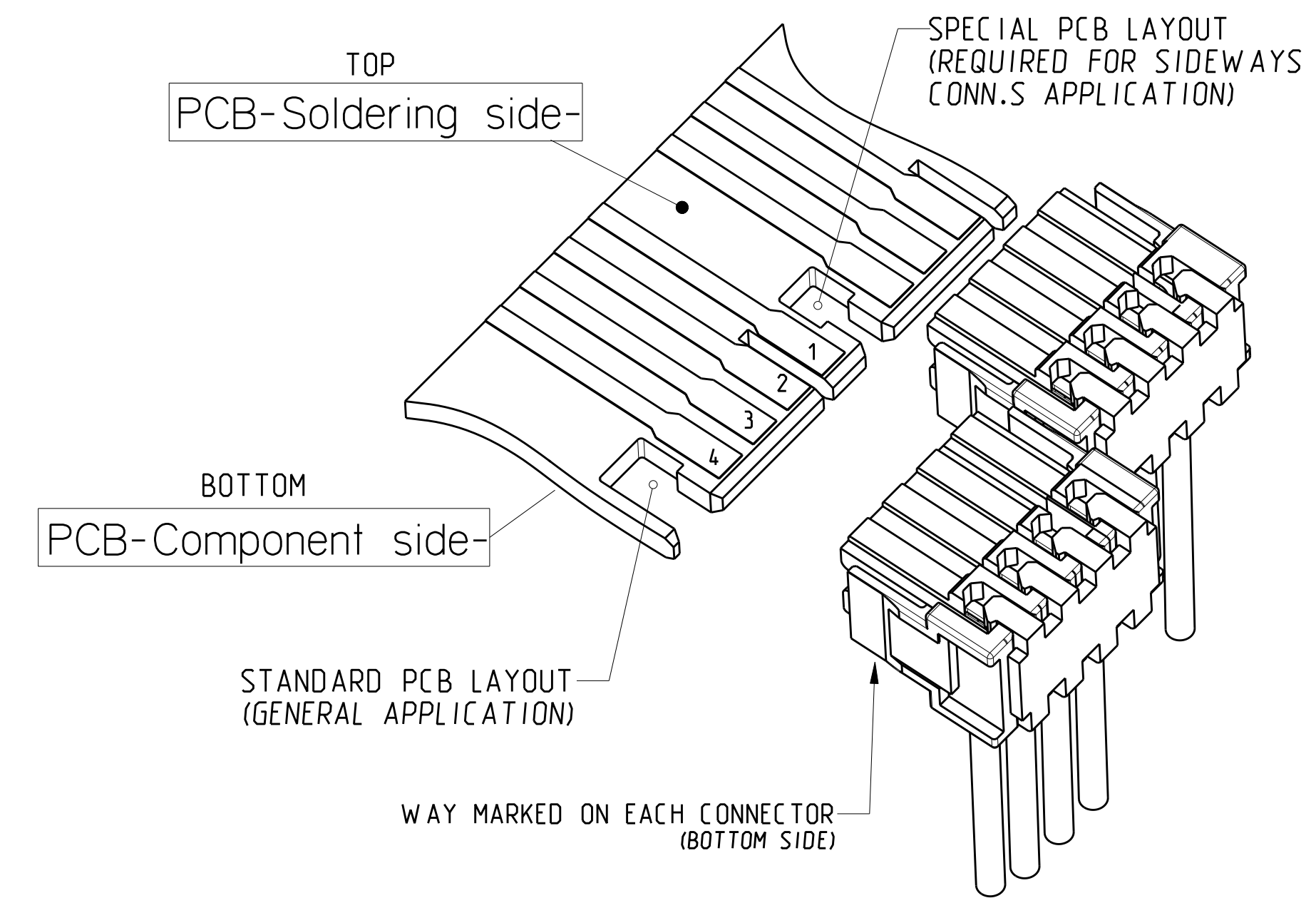
### PCB LAYOUT -Soldering side-

(SCALE 4:1)



### CONNECTION LAYOUT

E.G P/N 0-284865-4  
(SCALE 4:1)

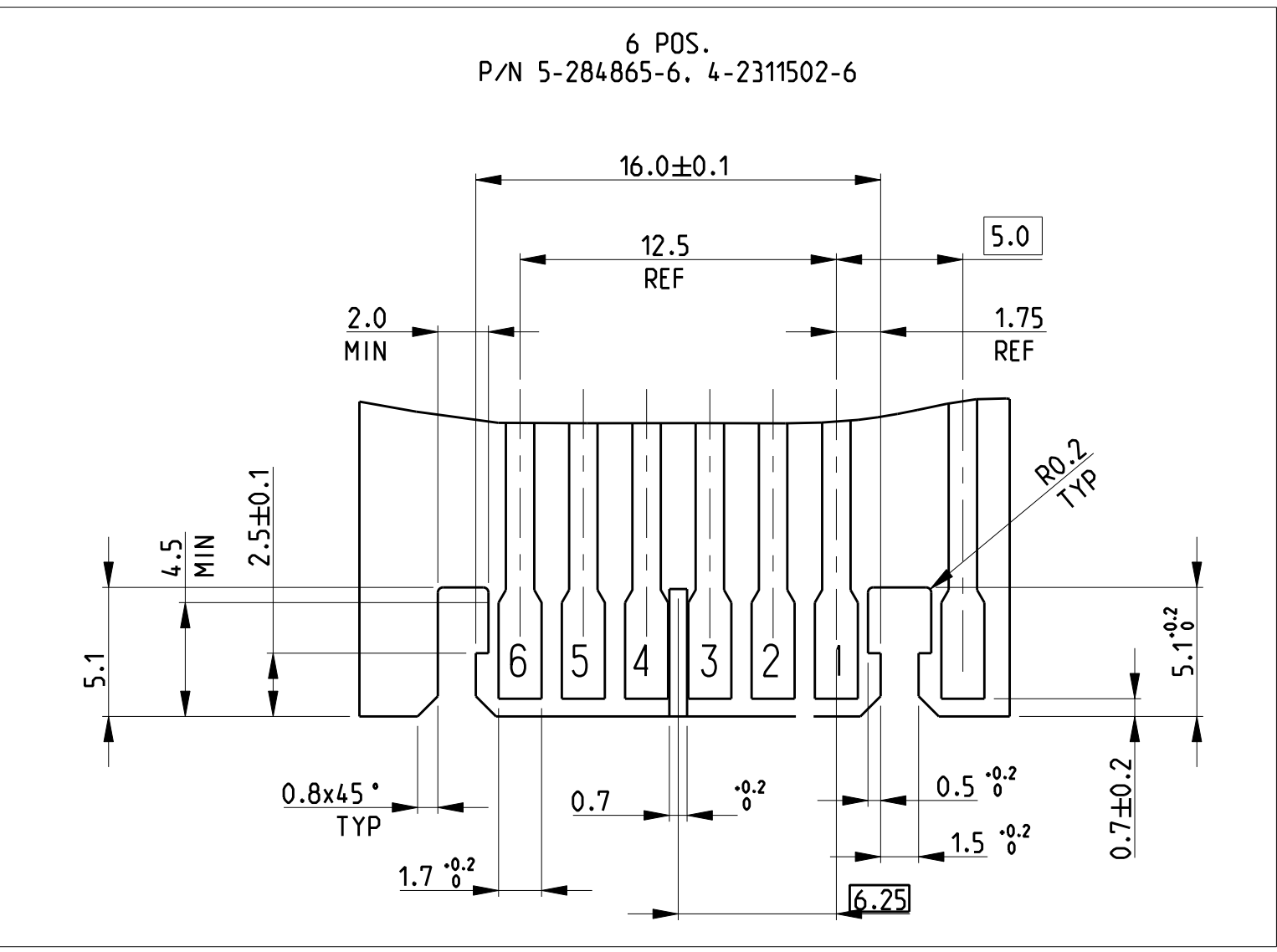



THIS DRAWING IS A CONTROLLED DOCUMENT.		OWN R. FABRIS 03 JUL 2002	TE Connectivity
DIMENSIONS: mm		CHK -	
TOLERANCES UNLESS OTHERWISE SPECIFIED:		APVD G. TURCO	NAME
0 PLC ±0.1		PRODUCT SPEC	DUOPLUG 2.5 FEMALE CONN.,
1 PLC ±0.2		APPLICATION SPEC	SIDE LOCKING
2 PLC ±0.3		114-18049-1	KEYED (FULLY LOADED)
3 PLC ±0.4		SIZE CAGE CODE DRAWING NO	RESTRICTED TO
4 PLC ±0.5		114-18049-1	A1 00779 C=284865
MATERIAL SEE TABLE		WEIGHT	Customer Drawing
FINISH SEE TABLE		SCALE 10:1	SHEET 3 OF 4

# PCB LAYOUT -Soldering side-

(SCALE 4:1)

LOC	DIST	REV	DATE	BY	APPV
1	-	1	-	-	-
DESCRIPTION			DATE	DWN	APPV
SEE SHEET 1			-	-	-



THIS DRAWING IS A CONTROLLED DOCUMENT.		DWN <b>R. FABRIS</b>	03 JUL 2002	 TE Connectivity	
DIMENSIONS: <b>mm</b>		CHK -	APV -		
TOLERANCES UNLESS OTHERWISE SPECIFIED:		PRODUCT SPEC <b>108-20238</b>		NAME DUOPLUG 2.5 FEMALE CONN., SIDE LOCKING KEYED (FULLY LOADED)	
0 PLC ± 1 PLC ± 2 PLC ± 3 PLC ± 4 PLC ± ANGLES ±°		APPLICATION SPEC <b>114-18049-1</b>		SIZE CAGE CODE DRAWING NO A1 00779 C=284865	
MATERIAL SEE TABLE		WEIGHT -		RESTRICTED TO -	
FINISH SEE TABLE		Customer Drawing		SCALE 10:1 SHEET 4 OF 4 REV A21	