

2301461-2 ✓ ACTIVE

AMP MCP Connector System, MCON Interconnection System

TE Internal #: 2301461-2

Housing for Male Terminals, Wire-to-Wire, 30 Position, Gray, Signal, Cable Mount (Free-Hanging), Key B, Hybrid

[View on TE.com >](#)



Connectors > Automotive Connectors > Connector Housings > MCON, CONNECTOR HOUSING



Connector & Housing Type: **Housing for Male Terminals**

Mating Tab Width: 1.2 mm, 2.8 mm, 6.3 mm [ .047 in, .11 in, .248 in ]

Connector System: **Wire-to-Wire**

Number of Positions: 30

Sealable: No

[All MCON, CONNECTOR HOUSING \(283\)](#)

## Features

### Product Type Features

Connector & Housing Shape	Rectangular
Connector & Housing Type	Housing for Male Terminals
Connector System	Wire-to-Wire
Sealable	No
Hybrid Connector	Yes
Primary Locking Feature	Integrated in Housing

### Configuration Features

Number of Positions	30
---------------------	----

### Body Features

Cable Exit Angle	180°
Body Material	PBT GF
Primary Product Color	Gray
Connector Code	B



### Contact Features

Contact Size	1.2mm, 2.8mm, 6.3mm
Contact Type	Tab
Mating Tab Width	1.2 mm, 2.8 mm, 6.3 mm [.047 in][.11 in][.248 in]

### Mechanical Attachment

Mounting Feature	Without
Terminal Position Assurance	No
Strain Relief	Without
Mating Alignment Type	Keyed
Mating Alignment	With
Connector Mounting Type	Cable Mount (Free-Hanging)

### Dimensions

Product Width	63.2 mm [2.48 in]
Product Length	84.9 mm [3.34 in]
Product Height	35.5 mm [1.39 in]

### Operation/Application

Circuit Application	Signal
---------------------	--------

### Packaging Features

Packaging Quantity	20
Packaging Method	Tray

### Other

Serviceable	No
Connector Position Assurance Capable	No

### Product Compliance

[For compliance documentation, visit the product page on TE.com>](#)

EU RoHS Directive 2011/65/EU	Compliant
EU ELV Directive 2000/53/EC	Compliant
China RoHS 2 Directive MIIT Order No 32, 2016	No Restricted Materials Above Threshold
EU REACH Regulation (EC) No. 1907/2006	Current ECHA Candidate List: JUNE 2022 (224) Candidate List Declared Against: JUNE 2022 (224)



Does not contain REACH SVHC

Halogen Content

BFR/CFR/PVC Free, but Br/Cl >900 ppm in other sources.

Solder Process Capability

Not applicable for solder process capability

Product Compliance Disclaimer

This information is provided based on reasonable inquiry of our suppliers and represents our current actual knowledge based on the information they provided. This information is subject to change. The part numbers that TE has identified as EU RoHS compliant have a maximum concentration of 0.1% by weight in homogenous materials for lead, hexavalent chromium, mercury, PBB, PBDE, DBP, BBP, DEHP, DIBP, and 0.01% for cadmium, or qualify for an exemption to these limits as defined in the Annexes of Directive 2011/65/EU (RoHS2). Finished electrical and electronic equipment products will be CE marked as required by Directive 2011/65/EU. Components may not be CE marked. Additionally, the part numbers that TE has identified as EU ELV compliant have a maximum concentration of 0.1% by weight in homogenous materials for lead, hexavalent chromium, and mercury, and 0.01% for cadmium, or qualify for an exemption to these limits as defined in the Annexes of Directive 2000/53/EC (ELV). Regarding the REACH Regulation, the information TE provides on SVHC in articles for this part number is based on the latest European Chemicals Agency (ECHA) 'Guidance on requirements for substances in articles' posted at this URL: <https://echa.europa.eu/guidance-documents/guidance-on-reach>

### Compatible Parts



TE Part # CAT-T4827-T273  
TIMER, RECEPTACLE AND TAB



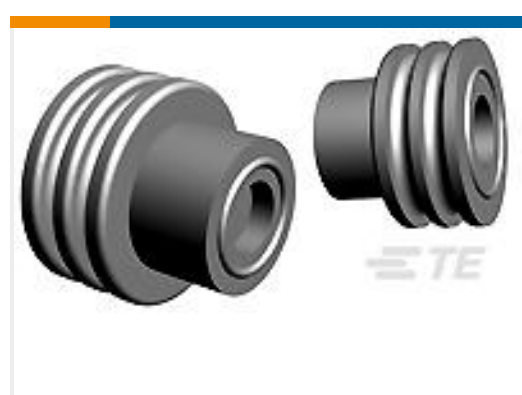
TE Part # CAT-M4595-T273  
MCON, RECEPTACLE AND TAB



TE Part # 967652-1  
PQ BLINDSTOPFEN 8,5



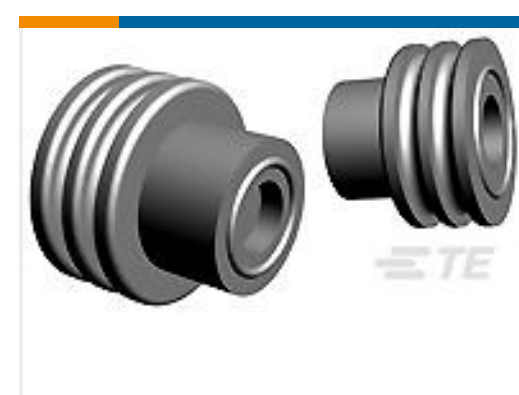
TE Part # 1823111-1  
SINGLE WIRE SEAL, FOR WIRE 2.5 SQMM, BN



TE Part # 1719043-1  
SINGLE WIRE SEAL, GREEN



TE Part # 828922-1  
2,5MM CAVITY PLUG FOR 5,4MM DI



TE Part # 1394512-1  
EINZELLEITDICHTG, BL



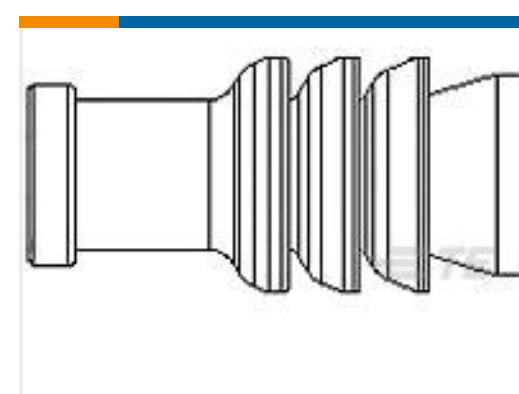
TE Part # 828905-1  
SINGLE-WIRE-SEAL(5MM HOLE)



TE Part # 828904-1  
SINGLE WIRE SEAL FOR J.P.T.CON



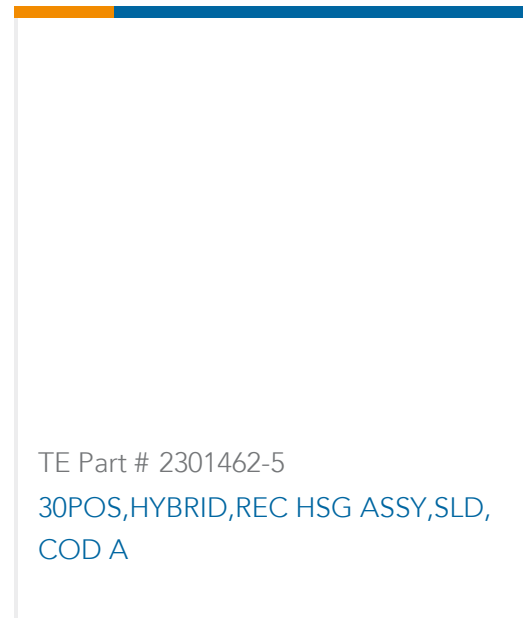
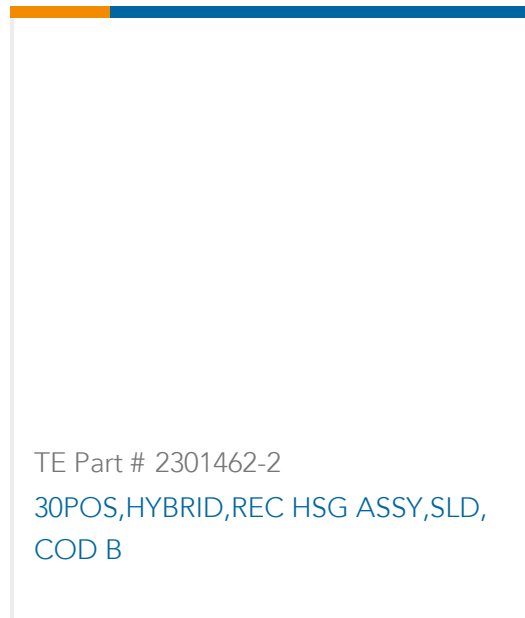
TE Part # 828904-2  
SINGLE WIRE SEAL FOR J.P.T.CON



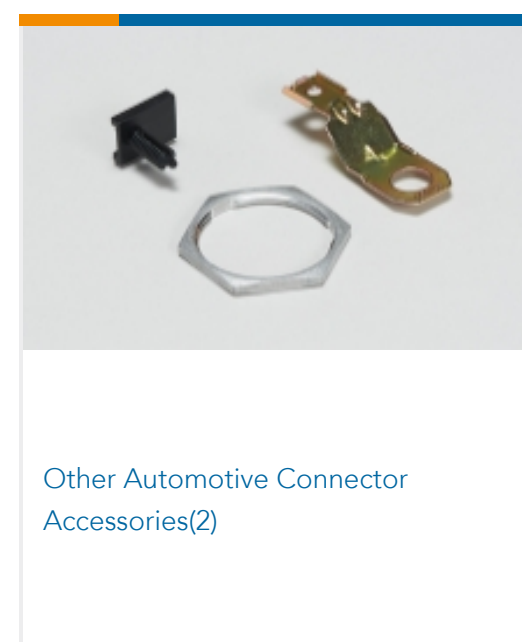
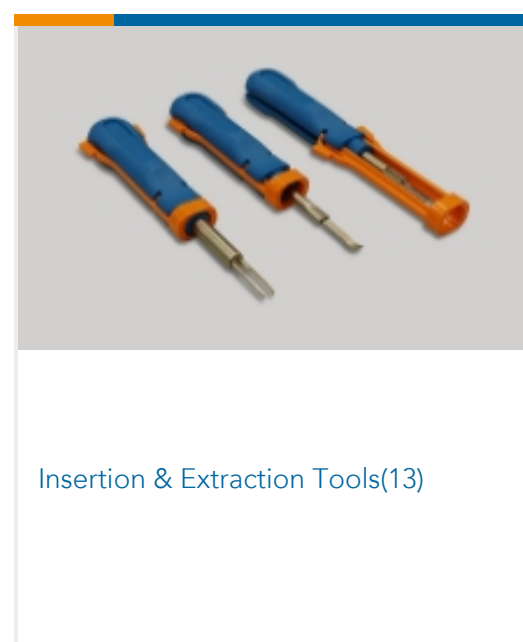
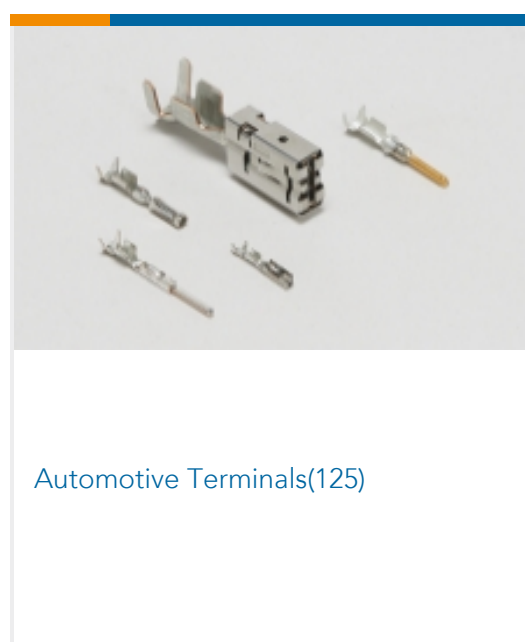
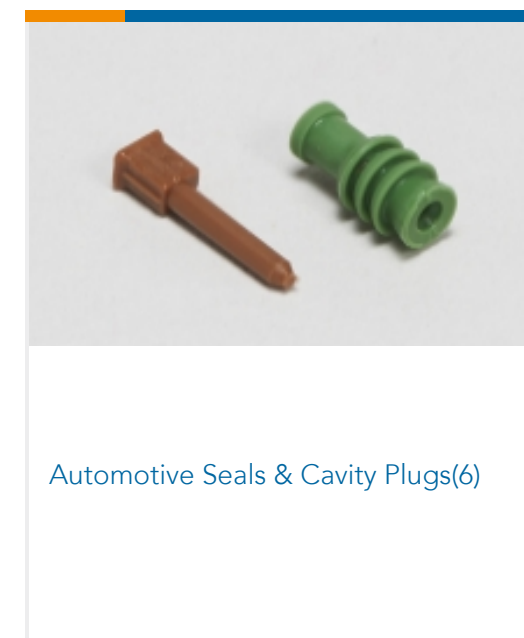
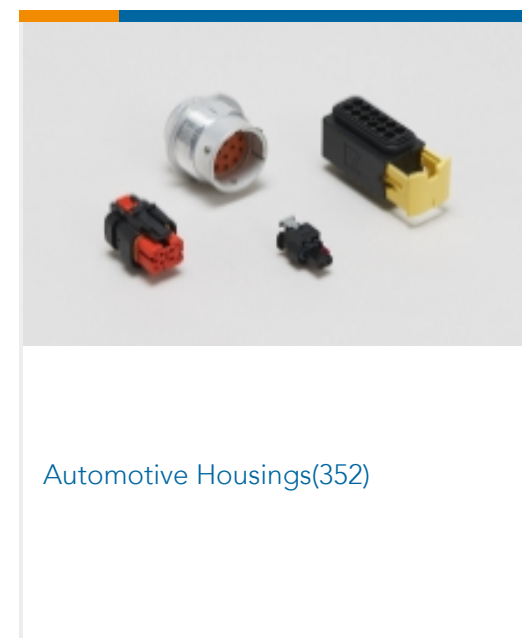
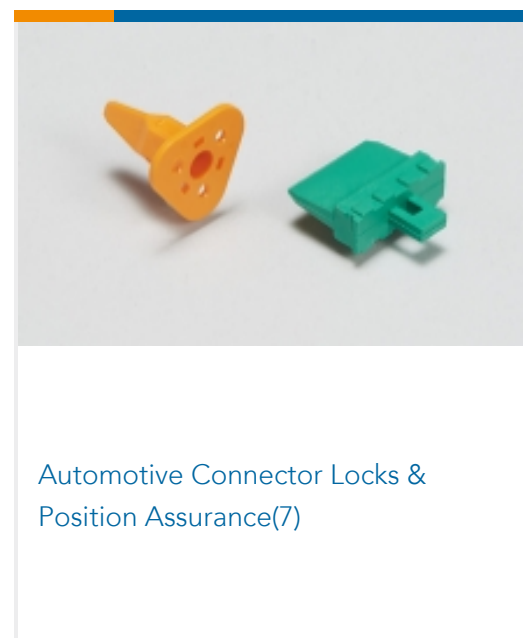
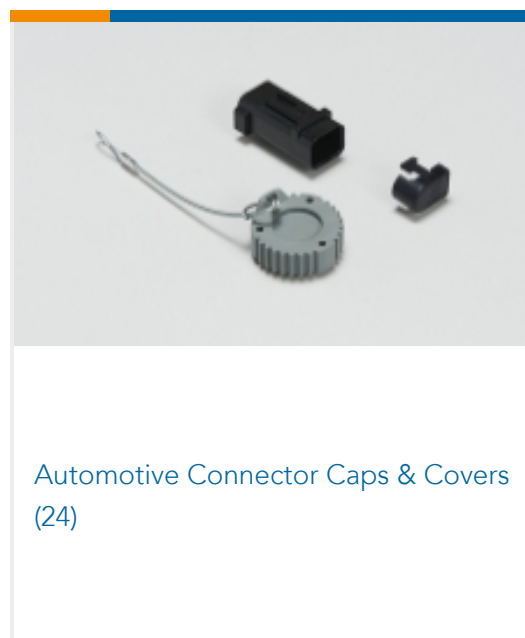
TE Part # 967067-1  
MQS SGL WIRE SEAL



TE Part # 2177018-1  
SINGLE WIRE SEAL, AMP MCP6.3/4.8K, YW



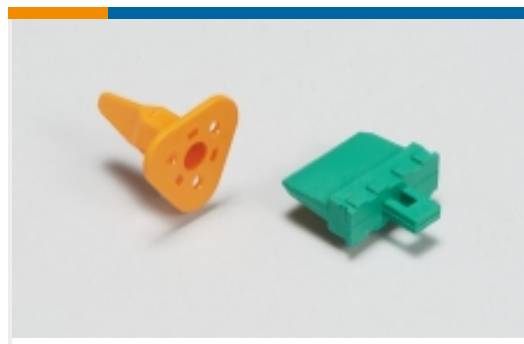
Also in the Series | **AMP MCP Connector System**



Also in the Series | **MCON Interconnection System**



Automotive Connector Caps & Covers (24)



Automotive Connector Locks & Position Assurance(11)



Automotive Housings(288)



Automotive Seals & Cavity Plugs(4)



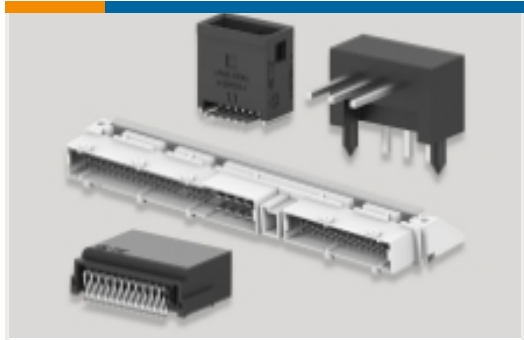
Automotive Terminals(113)



Insertion & Extraction Tools(31)



Other Automotive Connector Accessories(6)



PCB Headers & Receptacles(1)

## Customers Also Bought



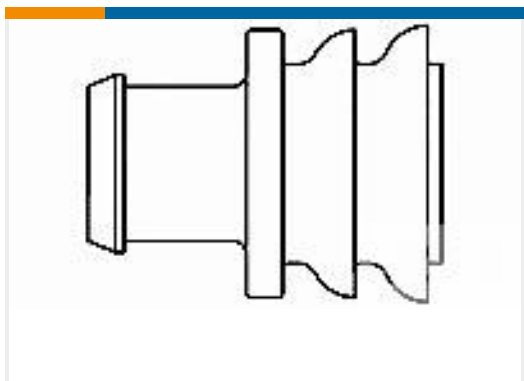
TE Part #DT04-2P  
DEUTSCH DT Series Housings & Connectors



TE Part #W2S  
DEUTSCH DT WEDGELOCKS



TE Part #282104-1  
AMP SUPERSEAL 1.5MM, CONNECTOR HOUSING



TE Part #281934-2  
SINGLE WIRE SEAL



TE Part #0460-202-16141  
DEUTSCH SOLID CONTACTS



TE Part #114017-ZZ  
SEALING PLUG, SIZE 12/16, WHT

## Documents

[CAD Files](#)

[3D PDF](#)

[3D](#)

[Customer View Model](#)

[ENG\\_CVM\\_CVM\\_2301461-2\\_C.2d\\_dxf.zip](#)

English

[Customer View Model](#)

[ENG\\_CVM\\_CVM\\_2301461-2\\_C.3d\\_igs.zip](#)



English

**Customer View Model**

[ENG\\_CVM\\_CVM\\_2301461-2\\_C.3d\\_stp.zip](#)

English

By downloading the CAD file I accept and agree to the [Terms and Conditions](#) of use.

---

**Datasheets & Catalog Pages**

[MCON Interconnection System](#)

English

---

**Instruction Sheets**

[Instruction Sheet \(U.S.\)](#)

English