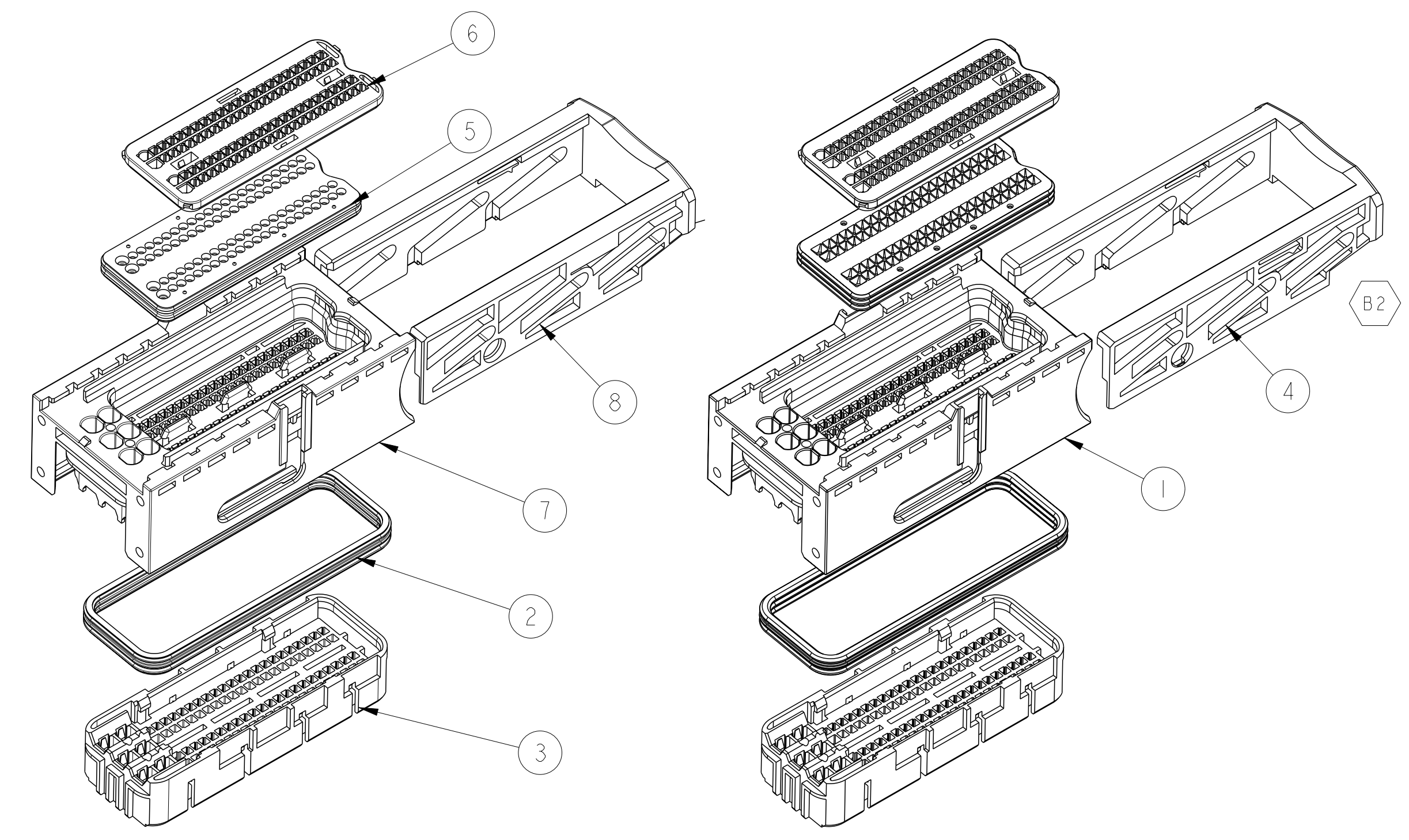
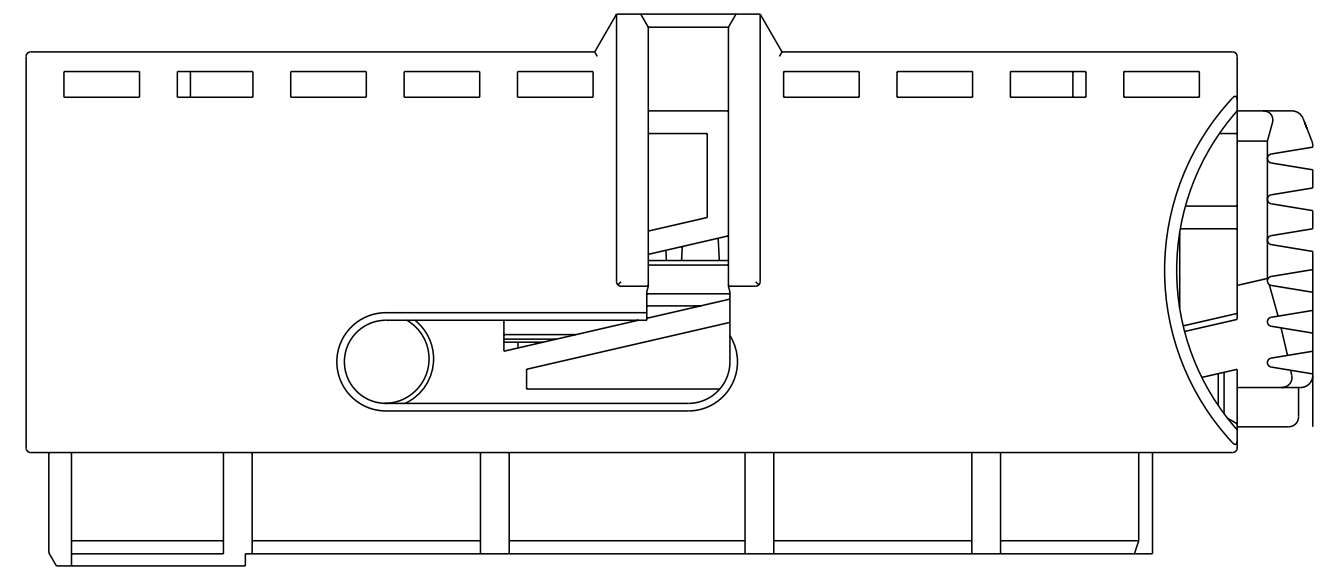
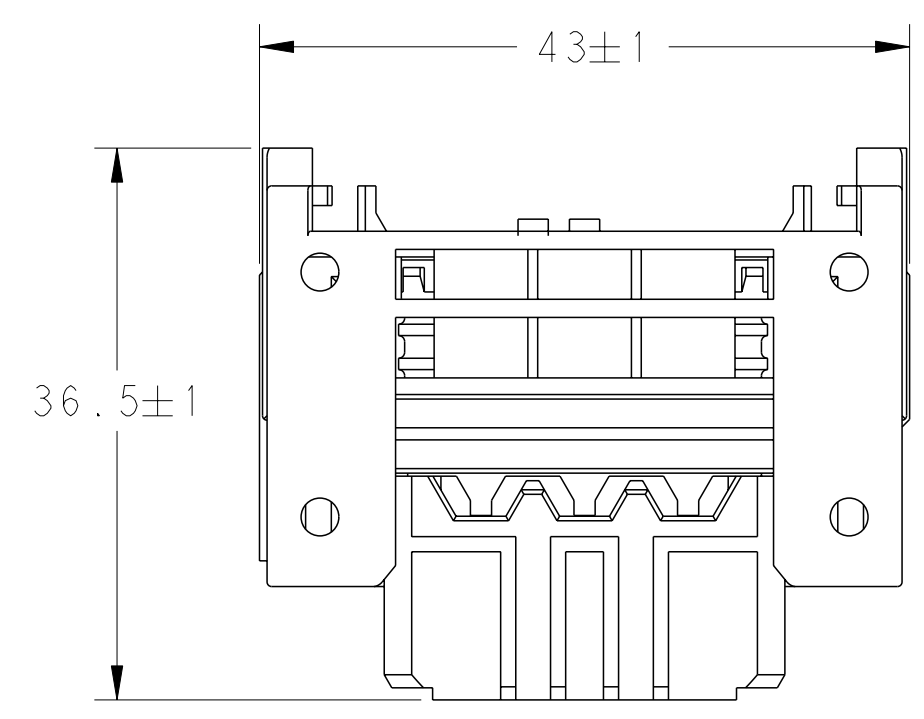


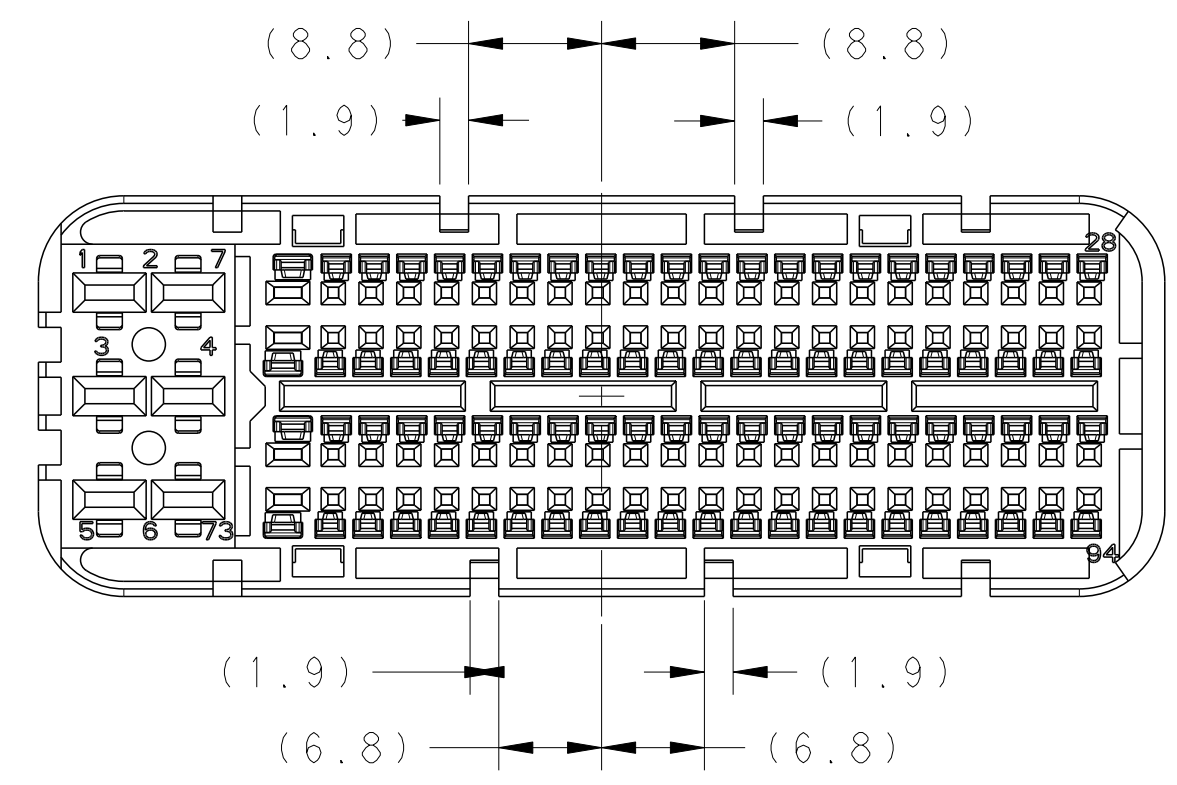
REVISIONS				
P	CTH	DESCRIPTION	DATE	OWN APVD
A1		ADD NEW P/N, ECR-15-002451	27FEB15	J.Z S.W
B		SLIDER CHANGE	03MAY16	J.Z S.W
B1		ECR-16-008097	6JULY16	J.Z S.W
B2		ECR-17-012597, SLIDER CHANGE	05SEP2017	C.N I.Y



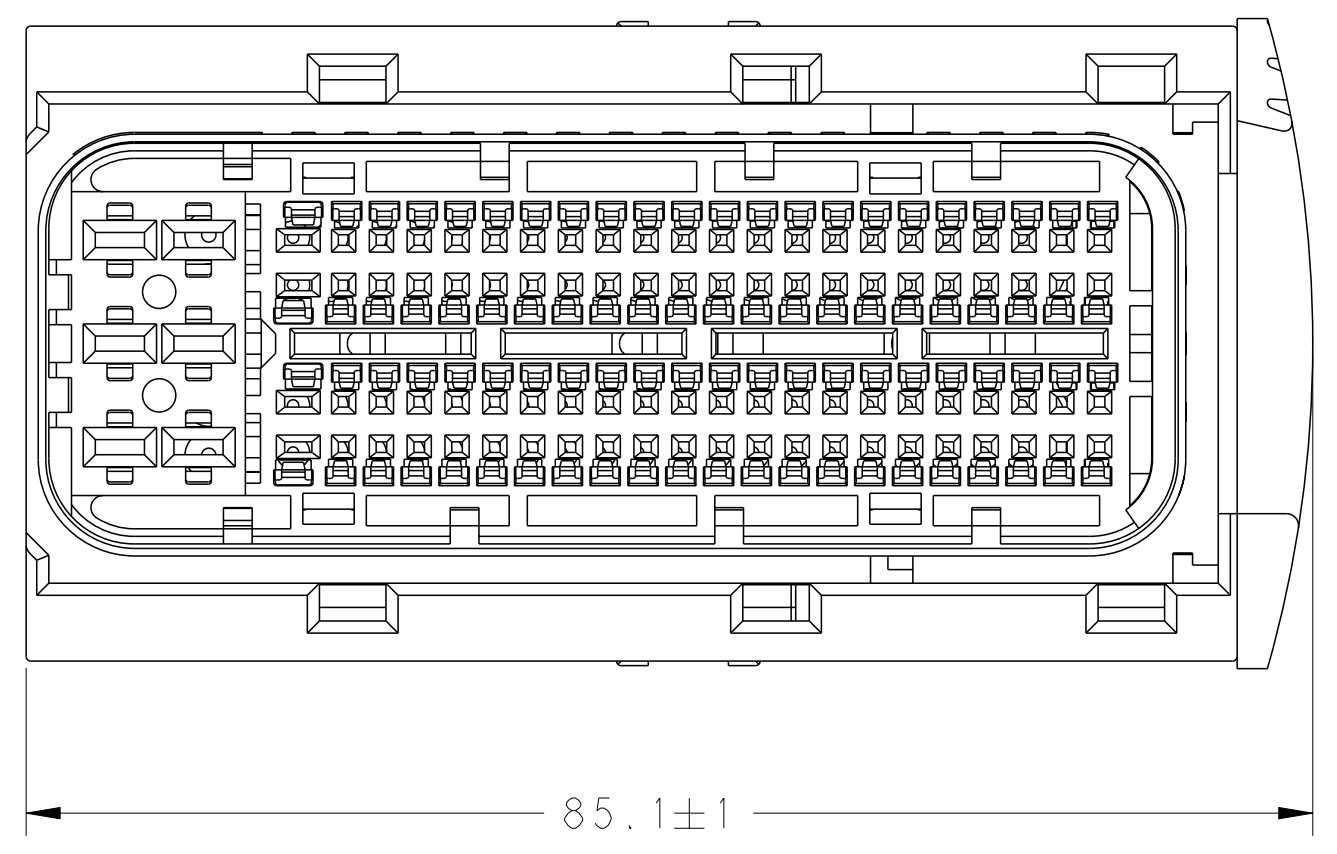
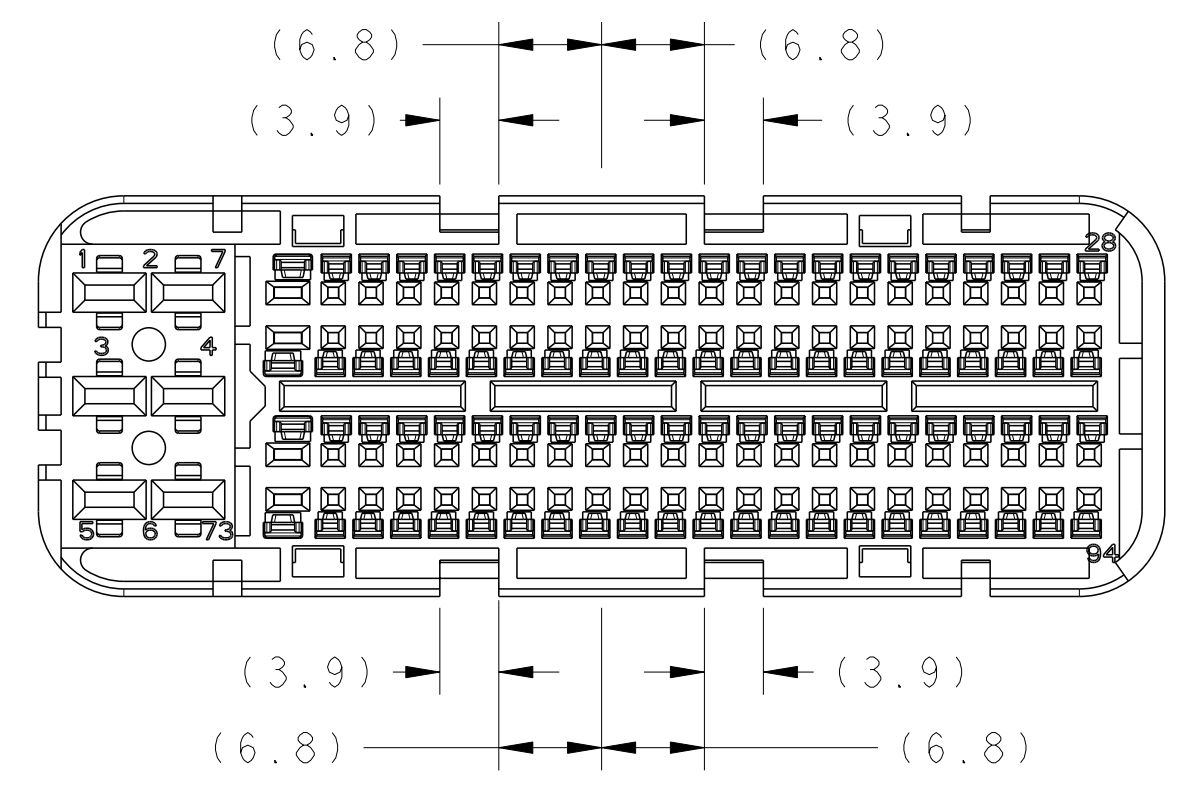
1--1 AS SHOWN

0--1 AS SHOWN

CODINGS FOR 0/1-2209545-1



CODINGS FOR 0/1-2209545-9



NOTES:

- SUITABLE CONTACTS SEE BELOW DRAWINGS:
 MQS 0.63mm(CLEAN BODY): 968220, 968221, 1534116, 1703282.
 SUITABLE WIRE SIZE FROM 0.35mm² TO 0.75mm²,
 INSULATION OUTER DIAMETER RANGE FROM 1.2 TO 1.9mm.
 MQS 1.5mm(CLEAN BODY): 1241608
 SUITABLE WIRE SIZE FROM 0.75mm² TO 1.5mm²,
 SUITABLE WIRE INSULATION OUTER DIAMETER RANGE FROM 1.4 TO 2.4mm.
 MCP 2.8K: 1241392, 1241394, 1241396.
 SUITABLE WIRE SIZE FROM 0.5mm² TO 2.5mm²,
 INSULATION OUTER DIAMETER RANGE FROM 1.4 TO 3.0mm.
- SEALING PLUG P/N: 1394871-1 (MQS 0.63mm), 1394872-1 (MQS 1.5mm),
 828922-1 (MCP 2.8K), 828922-2 (MCP 2.8K)
- SINGLE WIRE SEAL FOR MCP 2.8K CONTACT: 963294-1, 963293-1,
 963292-1.
- SUITABLE RETAINER P/N: 6-1355134-1, 6-1355135-1.
- SUITABLE COVER P/N: 2137754-1, 2137755-1, 6-1418652-1,
 6-2141282-1, 2300724-1
- 0-2209545-1/9 CAN MATING WITH LEVER 2137752-1;
 1-2209545-1/9 CAN MATING WITH LEVER 2305001-1;

QTY	QTY	QTY	QTY	MATERIAL	COLOUR	DESCRIPTION	ITEM
1	1	1	1	PBT GF	BLACK	SEALING HOLDER	6
1	1	1	1	SILICONE	LIGHT BLUE	FAMILY SEAL	5
1	1	1	1	PA66 GF	BLACK	SLIDE(CUT)	8
1	1	1	1	PA66 GF	BLACK	SLIDE(CUT)	4
1	1	1	1	PBT GF	WATER BLUE	CAVITY BLOCK (GENERAL CODING)	3
1	1	1	1	PBT GF	BLUE	CAVITY BLOCK (CODING G)	3
1	1	1	1	SILICONE	ORANGE	SEALING	2
1	1	1	1	PBT/ASA GF	BLACK	CARRIER HOUSING (ENHANCED)	7
1	1	1	1	PBT/ASA GF	BLACK	CARRIER HOUSING (ICT)	1
QTY	QTY	QTY	QTY	MATERIAL	COLOUR	DESCRIPTION	ITEM
1-2209545-9	1-2209545-1	0-2209545-9	0-2209545-1	P/N			
B	B	B	B	REV.			
LEVER ENHANCED VERSION				ICT VERSION			

THIS DRAWING IS A CONTROLLED DOCUMENT.

OWN: J.LI 26MAY14
 CHK: Z.ZHOU 27MAY14
 APVD: J.YIN 5JUN14

DIMENSIONS: mm
 0-PLC 1
 1-PLC 10.5
 2-PLC 40.13
 3-PLC 40.013
 4-PLC 40.0001
 ANGLES 45°

TOLERANCES UNLESS OTHERWISE SPECIFIED:
 0-PLC 1
 1-PLC 10.5
 2-PLC 40.13
 3-PLC 40.013
 4-PLC 40.0001
 ANGLES 45°

TE Connectivity
STE
 NAME: CONNECTOR HOUSING, 94P
 MQS CB+ MCP2.8K
 SIZE: A1
 CAGE CODE: -
 DRAWING NO: C=2209545
 SCALE: 1:1
 SHEET: 1 OF 1
 REV: B2